

Colectores

Tuberías

Racores

Sistemas radiantes

Válvulas para radiador

Equilibrado

Componentes para instalaciones

Energías renovables

Contabilización

Válvulas de esfera

Catálogo Tarifa

02/2019



Componentes para la optimización del consumo de energía, para su contabilización y para la distribución de fluidos.



Climatización radiante por suelo, pared y techo, para uso residencial y del sector terciario, termorregulación y tratamiento del aire.



Componentes para distribución de agua potable y dispositivos para instalaciones hidro-sanitarias.



Productos y sistemas para la distribución segura del gas en los edificios.



Componentes para las instalaciones de producción de energía con fuentes renovables.



Componentística especializada, y de altísima calidad, para el sector profesional de antiincendios.

Sumario



1
Válvulas y componentes para radiador



2
Sistemas radiantes



3
Fontanería y calefacción



4
Contabilización y repartidores de costes



5
Componentes para instalaciones



6
Válvulas y grifos de esfera



7
Índice catalogo

Nuestra pasión no deja de crecer nunca. Igual que nuestro grupo.

Nuestro grupo se sitúa hoy en día como **líder mundial** en la producción de componentes y sistemas para la distribución de la calefacción, climatización y agua sanitaria para su uso en el sector residencial, industrial y terciario. **Una realidad que continúa su expansión**, así como nuestros objetivos.

1951

AÑO DE FUNDACIÓN DE
LA EMPRESA

más de **900** EMPLEADOS

70 TONELADAS DE LATÓN
TRANSFORMADO AL DÍA

130.000 m² DE FÁBRICAS DE PRODUCCIÓN

UNA
FACTURACIÓN
QUE SUPERA LOS **200** millones de €

80 % DE EXPORTACIÓN
FUERA DE ITALIA



FILIALES Y OFICINAS DE REPRESENTACIÓN

- | | | | | |
|-----------------|------------|-------------|-------------------|------------|
| ① ITALIA (sede) | ⑥ BELGICA | ⑩ CHINA | ⑭ REPUBLICA CHECA | ⑱ INDIA |
| ② FRANCIA | ⑦ SUIZA | ⑪ BRASIL | ⑮ ESLOVAQUIA | ⑲ RUSIA |
| ③ ESPAÑA | ⑧ ALEMANIA | ⑫ ARGENTINA | ⑯ TURQUIA | ⑳ E.ARABES |
| ④ PORTUGAL | ⑨ POLONIA | ⑬ CANADA | ⑰ JORDANIA | ㉑ EUA |



Zona 1
MIGUEL ÁNGEL RAMOS
 Tel. 671556062
 miguel.ramos@giacomini.com

Zona 2
RAMÓN CAMPILLO
 Tel. 687534435
 ramon.campillo@giacomini.com

Zona 3
ALBERTO PELAEZ
 Tel. 677484805
 alberto.pelaez@giacomini.com

Zona 4
SERGIO ESPÍNEIRA
 Tel. 661292431
 sergio.espineira@giacomini.com

OFICINAS

Country manager
ELOI PI
 Tel. 609759337
 eloi.pi@giacomini.com

Atención Clientes
SILVIA MORALEDA
 Tel. 938841001
 atencionclientes@giacomini.com

Almacén
ANGEL ORIHUELA
 Tel. 938841001
 almacen@giacomini.com

Almacén
JORDI MERINO
 Tel. 938841001
 almacen2@giacomini.com

Publicidad y comunicación
ALFONS CASAS
 Tel. 938841001
 publicidad.es@giacomini.com

Contabilidad
XAVIER PUIG
 Tel. 938841001
 contabilidad@giacomini.com

DEPARTAMENTO TÉCNICO

Director técnico
SERGIO ESPÍNEIRA
 Tel. 661292431
 sergio.espineira@giacomini.com

Soporte técnico
SERGI ALCÓN
 Tel. 938841001
 sergi.alcon@giacomini.com

Estudios y presupuestos
MONTSE FIGUEROLA
 Tel. 938841001
 tecnico.es@giacomini.com

CERTIFICADOS

Giacomini S.p.A. cuenta con un Sistema de Gestión integrado por Calidad, Medio Ambiente, Salud y Seguridad en el trabajo, certificado por ICIM.

CERTIFICATO n. 0006/R
CERTIFICATE No. 0006/R

SE CERTIFICA EL SISTEMA DE GESTIÓN PARA CALIDAD DE MANEJO CERTIFIED THAT THE QUALITY MANAGEMENT SYSTEM OPERATED BY

GIACOMINI S.p.A.
 UNITS OPERATIVE

Sede e Unità Operativa Via per Alzo, 39 - 28017 S. Maurizio D'Oggio (NO)
 Unità Operativa Via Bisavola, 4 - 37014 Castelnuovo del Garda (VR)
 Via Brughiere, 31 - 28017 S. Maurizio D'Oggio (NO)
 Italia

È CONFORME ALLA NORMA
 IS COMPLIANT WITH THE STANDARD

UNI EN ISO 9001:2008
 FOR THE FOLLOWING ACTIVITIES

EA: 18 - 14 - 17 - 37

Progettazione e produzione di sistemi di contabilizzazione di energia termica, gruppo di circolazione per impianti a terra termica, componenti per centrali termiche, valvole a terra di sicurezza, di zona e sanzionatorie, valvole termostatiche, teste termostatiche, valvole di distribuzione e raccordi in ottone per impianti di distribuzione mediante processo di lavorazione meccanica (stampaggio a caldo - tornitura), isolamento galvanico e assemblaggio. Componenti e raccordi in materiali plastici per impianti idromeccanici mediante processo di lavorazione meccanica (stampaggio ad iniezione, ad iniezione a per saltatura, estrusione di fili per, estrusione di barre e per profilatura) e per profilatura. Assemblaggio centrali termiche.
 Componentes and fittings made of synthetic materials for plumbing systems by injection moulding, gluing and welding. Extrusion of pipes for sanitary use or for heating/cooling applications. Radiant panel assembly.
 Radiant ceiling systems, direct and indirect heat metering systems, solar thermal systems, hydrogen stationary system.

Design and production of thermal energy metering systems, boiler room components, circulation unit for solar thermal systems, ball valves, safety valves, zone valves and gate valves, thermostatic valves, electrical actuators, distribution manifolds and brass fittings for air conditioning systems by means of machining processes (hot stamping - turning) galvanic treatments and assembly.
 Components and fittings made of synthetic materials for plumbing systems by injection moulding, gluing and welding. Extrusion of pipes for sanitary use or for heating/cooling applications. Radiant panel assembly.
 Radiant ceiling systems, direct and indirect heat metering systems, solar thermal systems, hydrogen stationary system.

Il presente certificato è valido e applicabile in qualsiasi momento e in qualsiasi luogo.
 This certificate is valid and applicable at any time and in any place.

19/06/2013
 23/07/2016

23/07/2013
 23/07/2016

ICIM S.p.A.
 Via Cava degli Alpini, 10 - 28018 San Giuseppe (NO)

CISO S.p.A. - Via S. Maria Maddalena, 10 - 28018 San Giuseppe (NO)

ACCREDIA
 CISO

ISO 9001:2008

CERTIFICATE

THE INTERNATIONAL CERTIFICATION NETWORK

ICINET and CISO/ICIM hereby certify that the organization

GIACOMINI S.p.A.
 Head Office and Operative Unit: Via per Alzo, 39 - I-28017 S. Maurizio D'Oggio (NO)
 Operative Units: Via Bisavola, 4 - I-37014 Castelnuovo del Garda (VR)
 Via Brughiere, 31 - I-28017 S. Maurizio D'Oggio (NO)

for the following field of activities

Design and production of thermal energy metering systems, boiler room components, circulation unit for solar thermal systems, ball valves, safety valves, zone valves and gate valves, thermostatic valves, electrical actuators, distribution manifolds and brass fittings for air conditioning systems by means of machining processes (hot stamping - turning) galvanic treatments and assembly.
 Components and fittings made of synthetic materials for plumbing systems by injection moulding, gluing and welding. Extrusion of pipes for sanitary use or for heating/cooling applications. Radiant panel assembly.
 Radiant ceiling systems, direct and indirect heat metering systems, solar thermal systems, hydrogen stationary system.

has implemented and maintains a

Quality Management System
 which fulfills the requirements of the following standard

ISO 9001:2008
 Issued on: 2014-07-24
 Validity date: 2017-07-23
 Registration Number: IT-3995

ICINET President: Michael Drechsel
 CISO President: Ing. Claudio Provetti

AENOR Spain AFNOR Certification France AIB-Viçosa International Belgium ANCS-SIGE Mexico APCER Portugal CCC Cyprus CISO Italy QCC China CQM China CQS Czech Republic Cvi Cert Croatia DQS Holding GmbH Germany DS Denmark FCV Brazil FONDOROMA Hungary ICNTEC Colombia IMC Mexico Inspecta Certification Finland IRAM Argentina JQA Japan KQF Korea MIRETEC Greece MEST Hungary NENKO AS Norway NSAI Ireland PCBC Poland PQR Quality Austria Austria RS Russia SII Israel SIQ Slovenia SIRM QAS International Malaysia SQS Switzerland SRAC Romania TEST St Petersburg Russia TSE Turkey YUQS Serbia
 ICINET is represented in the USA by: AFNOR Certification, CISO, DQS Holding GmbH and NSAI Inc.
 * The list of ICINET partners is valid at the time of issue of this certificate. Updated information is available under www.icinet-certification.com

CERTIFICATO n. 0032A/3
CERTIFICATE No. 0032A/3

SE CERTIFICA EL SISTEMA DE GESTIÓN AMBIENTAL DE MANEJO CERTIFIED THAT THE ENVIRONMENTAL MANAGEMENT SYSTEM OPERATED BY

GIACOMINI S.p.A.
 UNITS OPERATIVE

Sede e Unità Operativa Via per Alzo, 39 - 28017 S. Maurizio D'Oggio (NO)
 Unità Operativa Via Bisavola, 4 - 37014 Castelnuovo del Garda (VR)
 Via Brughiere, 29 - 28017 S. Maurizio D'Oggio (NO)
 Italia

È CONFORME ALLA NORMA
 IS COMPLIANT WITH THE STANDARD

UNI EN ISO 14001:2004
 FOR THE FOLLOWING ACTIVITIES

EA: 18 - 14 - 17

Progettazione e produzione di sistemi di contabilizzazione di energia termica, gruppo di circolazione per impianti a terra termica, componenti per centrali termiche, valvole a terra di sicurezza, di zona e sanzionatorie, valvole termostatiche, teste termostatiche, valvole di distribuzione e raccordi in ottone per impianti di distribuzione mediante processo di lavorazione meccanica (stampaggio a caldo - tornitura), isolamento galvanico e assemblaggio. Componenti e raccordi in materiali plastici per impianti idromeccanici mediante processo di lavorazione meccanica (stampaggio ad iniezione, ad iniezione a per saltatura, estrusione di fili per, estrusione di barre e per profilatura) e per profilatura. Assemblaggio centrali termiche.
 Componentes and fittings made of synthetic materials for plumbing systems by injection moulding, gluing and welding. Extrusion of pipes for sanitary use or for heating/cooling applications. Radiant panel assembly.
 Radiant ceiling systems, direct and indirect heat metering systems, solar thermal systems, hydrogen stationary system.

Il presente certificato è valido e applicabile in qualsiasi momento e in qualsiasi luogo.
 This certificate is valid and applicable at any time and in any place.

19/06/2013
 19/06/2016

19/06/2013
 19/06/2016

ICIM S.p.A.
 Via Cava degli Alpini, 10 - 28018 San Giuseppe (NO)

CISO S.p.A. - Via S. Maria Maddalena, 10 - 28018 San Giuseppe (NO)

ACCREDIA
 CISO

ISO 14001:2004

CERTIFICATE

THE INTERNATIONAL CERTIFICATION NETWORK

ICINET and CISO/ICIM hereby certify that the organization

GIACOMINI S.p.A.
 Head Office and Operative Unit: Via per Alzo, 39 - I-28017 S. Maurizio D'Oggio (NO)
 Operative Units: Via Bisavola, 4 - I-37014 Castelnuovo del Garda (VR)
 Via Brughiere, 29 - I-28017 S. Maurizio D'Oggio (NO)

for the following field of activities

Design and production of thermal energy metering systems, boiler room components, circulation unit for solar thermal systems, ball valves, safety valves, zone valves and gate valves, thermostatic valves, electrical actuators, distribution manifolds and brass fittings for air conditioning systems by means of machining processes (hot stamping - turning) galvanic treatments and assembly.
 Components and fittings made of synthetic materials for plumbing systems by injection moulding, gluing and welding. Extrusion of pipes for sanitary use or for heating/cooling applications. Radiant panel assembly.

has implemented and maintains a

Environmental Management System
 which fulfills the requirements of the following standard

ISO 14001:2004
 Issued on: 2013-09-19
 Validity date: 2016-09-18
 Registration Number: IT-18412

ICINET President: Michael Drechsel
 CISO President: Ing. Claudio Provetti

AENOR Spain AFNOR Certification France AIB-Viçosa International Belgium ANCS-SIGE Mexico APCER Portugal CCC Cyprus CISO Italy QCC China CQM China CQS Czech Republic Cvi Cert Croatia DQS Holding GmbH Germany DS Denmark FCV Brazil FONDOROMA Hungary ICNTEC Colombia IMC Mexico Inspecta Certification Finland IRAM Argentina JQA Japan KQF Korea MIRETEC Greece MEST Hungary NENKO AS Norway NSAI Ireland PCBC Poland PQR Quality Austria Austria RS Russia SII Israel SIQ Slovenia SIRM QAS International Malaysia SQS Switzerland SRAC Romania TEST St Petersburg Russia TSE Turkey YUQS Serbia
 ICINET is represented in the USA by: AFNOR Certification, CISO, DQS Holding GmbH and NSAI Inc.
 * The list of ICINET partners is valid at the time of issue of this certificate. Updated information is available under www.icinet-certification.com

CERTIFICATO n. 0064L/1
CERTIFICATE No. 0064L/1

SE CERTIFICA IL SISTEMA DI GESTIONE DELLA SALUTE E SICUREZZA NEGLI AMBIENTI DI LAVORO. WE HEREBY CERTIFY THAT THE OCCUPATIONAL HEALTH AND SAFETY MANAGEMENT SYSTEM OPERATED BY

GIACOMINI S.p.A.
 UNITS OPERATIVE

Sede e Unità Operativa Via per Alzo, 39 - 28017 S. Maurizio D'Oggio (NO)
 Unità Operativa Via Bisavola, 4 - 37014 Castelnuovo del Garda (VR)
 Via Brughiere, 29 - 28017 S. Maurizio D'Oggio (NO)
 Italia

È CONFORME ALLA NORMA
 IS COMPLIANT WITH THE STANDARD

OHSAS 18001:2007
 FOR THE FOLLOWING ACTIVITIES

EA: 18 - 14 - 17

Progettazione e produzione di sistemi di contabilizzazione di energia termica, gruppo di circolazione per impianti a terra termica, componenti per centrali termiche, valvole a terra di sicurezza, di zona e sanzionatorie, valvole termostatiche, teste termostatiche, valvole di distribuzione e raccordi in ottone per impianti di distribuzione mediante processo di lavorazione meccanica (stampaggio a caldo - tornitura), isolamento galvanico e assemblaggio. Componenti e raccordi in materiali plastici per impianti idromeccanici mediante processo di lavorazione meccanica (stampaggio ad iniezione, ad iniezione a per saltatura, estrusione di fili per, estrusione di barre e per profilatura) e per profilatura. Assemblaggio centrali termiche.
 Componentes and fittings made of synthetic materials for plumbing systems by injection moulding, gluing and welding. Extrusion of pipes for sanitary use or for heating/cooling applications. Radiant panel assembly.
 Radiant ceiling systems, direct and indirect heat metering systems, solar thermal systems, hydrogen stationary system.

Il presente certificato è valido e applicabile in qualsiasi momento e in qualsiasi luogo.
 This certificate is valid and applicable at any time and in any place.

19/06/2013
 19/06/2016

19/06/2013
 19/06/2016

ICIM S.p.A.
 Via Cava degli Alpini, 10 - 28018 San Giuseppe (NO)

CISO S.p.A. - Via S. Maria Maddalena, 10 - 28018 San Giuseppe (NO)

ACCREDIA
 CISO

ISO 18001:2007

CERTIFICATE

THE INTERNATIONAL CERTIFICATION NETWORK

ICINET and CISO/ICIM hereby certify that the organization

GIACOMINI S.p.A.
 Head Office and Operative Unit: Via per Alzo, 39 - I-28017 S. Maurizio D'Oggio (NO)
 Operative Units: Via Bisavola, 4 - I-37014 Castelnuovo del Garda (VR)
 Via Brughiere, 29 - I-28017 S. Maurizio D'Oggio (NO)

for the following field of activities

Design and production of thermal energy metering systems, boiler room components, circulation unit for solar thermal systems, ball valves, safety valves, zone valves and gate valves, thermostatic valves, electrical actuators, distribution manifolds and brass fittings for air conditioning systems by means of machining processes (hot stamping - turning) galvanic treatments and assembly.
 Components and fittings made of synthetic materials for plumbing systems by injection moulding, gluing and welding. Extrusion of pipes for sanitary use or for heating/cooling applications. Radiant panel assembly.

has implemented and maintains a

Occupational health and safety management system
 which fulfills the requirements of the following standard

OHSAS 18001:2007
 Issued on: 2013-09-29
 Validity date: 2016-09-28
 Registration Number: IT-70563

ICINET President: Michael Drechsel
 CISO President: Ing. Claudio Provetti

AENOR Spain AFNOR Certification France AIB-Viçosa International Belgium ANCS-SIGE Mexico APCER Portugal CCC Cyprus CISO Italy QCC China CQM China CQS Czech Republic Cvi Cert Croatia DQS Holding GmbH Germany DS Denmark FCV Brazil FONDOROMA Hungary ICNTEC Colombia IMC Mexico Inspecta Certification Finland IRAM Argentina JQA Japan KQF Korea MIRETEC Greece MEST Hungary NENKO AS Norway NSAI Ireland PCBC Poland PQR Quality Austria Austria RS Russia SII Israel SIQ Slovenia SIRM QAS International Malaysia SQS Switzerland SRAC Romania TEST St Petersburg Russia TSE Turkey YUQS Serbia
 ICINET is represented in the USA by: AFNOR Certification, CISO, DQS Holding GmbH and NSAI Inc.
 * The list of ICINET partners is valid at the time of issue of this certificate. Updated information is available under www.icinet-certification.com

Válvulas y componentes para radiador

> Válvulas termostaticables bitubo	2
> Válvulas termostaticables bitubo con volante de obra	4
> Válvulas termostaticables bitubo con pre-regulación	5
> Válvulas manuales bitubo	7
> Detentores	8
> Válvulas monotubo y bitubo 4 vías	11
> Válvulas para paneles de acero	17
> Válvulas acabado cromado pulido	18
<hr/>	
> Accesorios cromados pulido	21
> Regulación wireless climadomotic	22
> Cronotermostatos para radiadores y cabezales termostáticos	24
> Accesorios para válvulas de radiador	28
> Purgadores, descargas y tapones	29
> Tuberías, colectores y accesorios	30
> Recambios	33
> Herramientas	35
> Datos técnicos y dimensiones	37



> VÁLVULAS TERMOSTATIZABLES BITUBO

Características principales



Las válvulas están provistas de:

- Volante** en ABS blanco brillante, micrométrico, para la manipulación de la válvula.
- Protección de obra** adecuada para la instalación y puesta en marcha.

Ambas manetas se pueden extraer fácilmente (como por ejemplo, con la ayuda de un destornillador plano), lo que permite una rápida instalación de los cabezales termostáticos R470, R468, R460, R462, R463, R468, R460, R462, R463.



Sistema interno antibloqueo

En el interior del mecanismo de funcionamiento hay un eje en acero inoxidable y de pieza única, obtenida por estampación en frío y posterior laminación, que reduce enormemente la posibilidad de adhesión de partículas de cal y, por tanto, el bloqueo del mecanismo de la válvula.



Válvula específica para la sustitución del mecanismo interno (montura)



Se conecta al cuerpo emisor a través del enlace con autojunta en material elastomérico.

Nos permite una instalación rápida, práctica y duradera. Gracias a la junta de elastómero, no es necesario añadir pasta u otros materiales de sellado y es suficiente aplicar una torsión inferior o igual a 25Nm.



Giacomini S.p.A. no asume responsabilidad alguna por la utilización de cabezales termostáticos de otras marcas en nuestros cuerpos de válvula, y viceversa, por el montaje de nuestro cabezal termostático en cuerpos de válvula de otras marcas. En caso de duda, se recomienda contactar con nuestro Servicio Técnico.

R421TG

Documentación técnica n. 0157IT

CÓDIGO	MEDIDA	€/ud	□	⊞
R421X132	3/8"	7,75	1	50
R421X133	1/2"	8,55	1	50
R421X034	3/4"	10,60	5	50
R421X035	1"	17,90	2	20



Válvula termostatizable a escuadra, de doble reglaje y con conexión para tubo de hierro. Rango de temperatura 5 ÷ 110 °C. Presión máxima de trabajo 16bar (con cabezal termostático o electrotérmico 10bar).

NOTAS

Medidas de 3/4" y 1": enlace sin autojunta.

INFORMACION

Detentor a escuadra correspondiente: R14TG.

R422TG

Documentación técnica n. 0157IT

CÓDIGO	MEDIDA	€/ud	□	⊞
R422X132	3/8"	8,10	1	50
R422X133	1/2"	9,10	1	50
R422X034	3/4"	11,75	5	50
R422X035	1"	19,55	2	20



Válvula termostatizable recta, de doble reglaje y con conexión para tubo de hierro. Rango de temperatura 5 ÷ 110 °C. Presión máxima de trabajo 16bar (con cabezal termostático o electrotérmico 10bar).

NOTAS

Medidas de 3/4" y 1": enlace sin autojunta.

INFORMACION

Detentor recto correspondiente: R15TG.

R431TG

Documentación técnica n. 0157IT

CÓDIGO	MEDIDA	€/ud	□	⊞
R431X032	3/8"x16	8,55	1	50
R431X033	1/2"x16	8,55	1	50
R431X034	1/2"x18	8,65	1	50



Válvula termostaticable a escuadra, de doble reglaje y con conexión para adaptador de tubo de cobre, plástico o multicapa.
Rango de temperatura 5 ÷ 110 °C.
Presión máxima de trabajo 16bar (con cabezal termostático o electrotérmico 10bar).

NOTAS

Para la conexión a tubo utilizar los adaptadores R178, R179 o R179AM.

INFORMACION

Detentor a escuadra correspondiente: R29TG.

R432TG

Documentación técnica n. 0157IT

CÓDIGO	MEDIDA	€/ud	□	⊞
R432X032	3/8"x16	8,90	1	50
R432X033	1/2"x16	8,85	1	50
R432X034	1/2"x18	9,05	1	50



Válvula termostaticable recta, de doble reglaje y con conexión para adaptador de tubo de cobre, plástico o multicapa.
Rango de temperatura 5 ÷ 110 °C.
Presión máxima de trabajo 16bar (con cabezal termostático o electrotérmico 10bar).

NOTAS

Para la conexión a tubo utilizar los adaptadores R178, R179 o R179AM.

INFORMACION

Detentor recto correspondiente: R31TG.

R432A

CÓDIGO	MEDIDA	€/ud	□	⊞
R432AX013	18x18	7,30	10	100

Válvula termostaticable recta, de doble reglaje y con conexión para adaptador de tubo de cobre, plástico o multicapa en ambos lados.
Rango de temperatura 5 ÷ 110 °C.
Presión máxima de trabajo 16bar (con cabezal termostático o electrotérmico 10bar).



R432CTG

CÓDIGO	MEDIDA	€/ud	□	⊞
R432CX033	1/2"x18	9,50	5	50

Válvula termostaticable recta de flujo invertido, de doble reglaje y con conexión para adaptador de tubo de cobre, plástico o multicapa.
Rango de temperatura 5 ÷ 110 °C.
Presión máxima de trabajo 16bar (con cabezal termostático o electrotérmico 10bar).



R435TG

Documentación técnica n. 0157IT

CÓDIGO	MEDIDA	€/ud	□	⊞
R435X053	1/2"	14,35	1	50
R435X062	1/2"x16	9,45	1	50
R435X043	1/2"x18	9,30	1	50



Válvula termostaticable de doble escuadra y doble reglaje con conexión para tubo de hierro o conexión para adaptador de tubo de cobre, plástico o multicapa.
Rango de temperatura 5 ÷ 110 °C.
Presión máxima de trabajo 16bar (con cabezal termostático o electrotérmico 10bar).

NOTAS

Versión con adaptador: para la conexión a tubo utilizar los adaptadores R178, R179 o R179AM.

> VÁLVULAS TERMOSTATIZABLES BITUBO CON VOLANTE DE OBRA

R401TG

Documentación técnica n. 0157IT

CÓDIGO	MEDIDA	€/ud	□	⊞
R401X132	3/8"	7,20	1	50
R401X133	1/2"	8,05	1	50
R401X034	3/4"	10,25	5	50
R401X035	1"	17,55	2	20



Válvula termostaticable a escuadra con protección de obra y con conexión para tubo de hierro.
Rango de temperatura 5 ÷ 110 °C.
Presión máxima de trabajo 10bar.

NOTAS

Medidas de 3/4" y 1": enlace sin autojunta.

INFORMACION

Detentor a escuadra correspondiente: R14TG.

R402TG

Documentación técnica n. 0157IT

CÓDIGO	MEDIDA	€/ud	□	⊞
R402X132	3/8"	7,65	1	50
R402X133	1/2"	8,60	1	50
R402X034	3/4"	10,80	5	50
R402X035	1"	17,95	2	20



Válvula termostaticable recta con protección de obra y con conexión para tubo de hierro.
Rango de temperatura 5 ÷ 110 °C.
Presión máxima de trabajo 10bar.

NOTAS

Medidas de 3/4" y 1": enlace sin autojunta.

INFORMACION

Detentor recto correspondiente: R15TG.

R411TG

Documentación técnica n. 0157IT

CÓDIGO	MEDIDA	€/ud	□	⊞
R411X032	3/8"x16	7,55	1	50
R411X033	1/2"x16	8,15	1	50
R411X034	1/2"x18	8,20	1	50



Válvula termostaticable a escuadra con protección de obra y con conexión para adaptador de tubo de cobre, plástico o multicapa.
Rango de temperatura 5 ÷ 110 °C.
Presión máxima de trabajo 10bar.

NOTAS

Para la conexión a tubo utilizar los adaptadores R178, R179 o R179AM.

INFORMACION

Detentor a escuadra correspondiente: R29TG.

R412TG

Documentación técnica n. 0157IT

CÓDIGO	MEDIDA	€/ud	□	⊞
R412X032	3/8"x16	8,10	1	50
R412X033	1/2"x16	8,55	1	50
R412X034	1/2"x18	8,70	1	50



Válvula termostaticable recta con protección de obra y con conexión para adaptador de tubo de cobre, plástico o multicapa.
Rango de temperatura 5 ÷ 110 °C.
Presión máxima de trabajo 10bar.

NOTAS

Para la conexión a tubo utilizar los adaptadores R178, R179 o R179AM.

INFORMACION

Detentor recto correspondiente: R31TG.

R415TG

CÓDIGO	MEDIDA	€/ud	□	⊞
R415X033	1/2"	10,60	1	50
R415X042	1/2"x16	8,25	1	50
R415X043	1/2"x18	8,30	1	50



Válvula termostaticable doble escuadra y protección de obra, con conexión para tubo de hierro o conexión para adaptador de tubo de cobre, plástico o multicapa.
Rango de temperatura 5 ÷ 110 °C.
Presión máxima de trabajo 10bar.

NOTAS

Para la conexión a tubo utilizar los adaptadores R178, R179 o R179AM.

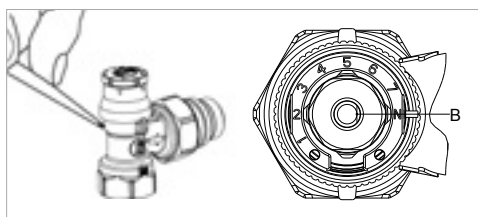
INFORMACION

Detentor recto correspondiente: R31TG.

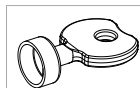
> VÁLVULAS TERMOSTATIZABLES BITUBO CON PRE-REGULACIÓN

Válvula con pre-regulación

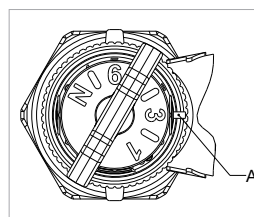
La válvula de la serie PTG tiene una montura interna de maniobra que, en base a la posición seleccionada, determina un concreto paso del fluido, generando de esta manera la pérdida de presión necesaria en el circuito hidráulico. Estas válvulas tienen también función de pre-regulación, así que se obtiene un eficaz equilibrio en el propio circuito. La combinación con cabezales termostáticos y cronotermosstatos en radiadores permite lograr importantes ahorros de energía.



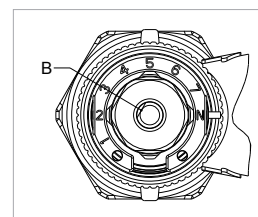
1. Retire el volante de color rojo haciendo presión con un destornillador. El eje (ref.B) se encuentra en posición N = completamente abierto.



Nota.
Para la regulación de la válvula utilizar la llave R73PY010



2. Girar el eje de la montura con la llave numerada. Desplazar hasta el número deseado de pre-regulación impreso en la llave de maniobra, alineado con el pivote A del cuerpo de la válvula.



3. Si quitamos la llave, el eje se mantendrá en la posición preajustada, según el número de anillo de la válvula. Posición de regulación: 1, 2, 3, 4, 5, 6, 7, N = completamente abierto.

R401PTG

CÓDIGO	MEDIDA	€/ud	□	⊞
R401PX232	3/8"	12,50	1	50
R401PX233	1/2"	13,65	1	50
R401PX234	3/4"	16,70	1	50



Válvula termostatizable a escuadra con pre-regulación, protección de obra y con conexión para tubo de hierro.

Rango de temperatura 5 ÷ 110 °C.

Presión máxima de trabajo 16bar (con cabezal termostático o electrotérmico 10bar).

INFORMACION

Detentor a escuadra correspondiente: R14TG.

R402PTG

CÓDIGO	MEDIDA	€/ud	□	⊞
R402PX232	3/8"	13,30	1	50
R402PX233	1/2"	14,45	1	50
R402PX234	3/4"	17,25	1	50



Válvula termostatizable recta con pre-regulación, protección de obra y con conexión para tubo de hierro.

Rango de temperatura 5 ÷ 110 °C.

Presión máxima de trabajo 16bar (con cabezal termostático o electrotérmico 10bar).

INFORMACION

Detentor a escuadra correspondiente: R15TG.

R411PTG

CÓDIGO	MEDIDA	€/ud	□	⊞
R411PX232	3/8"X16	13,05	1	50
R411PX233	1/2"X16	13,20	1	50



Válvula termostatizable a escuadra con pre-regulación, protección de obra y con conexión para adaptador de tubo de cobre, plástico o multicapa.

Rango de temperatura 5 ÷ 110 °C.

Presión máxima de trabajo 16bar (con cabezal termostático o electrotérmico 10bar).

INFORMACION

Detentor a escuadra correspondiente: R29TG.

R412PTG

CÓDIGO	MEDIDA	€/ud	□	⊞
R412PX232	3/8"X16	14,15	1	50
R412PX233	1/2"X16	14,45	1	50



Válvula termostatizable recta con pre-regulación, protección de obra y con conexión para adaptador de tubo de cobre, plástico o multicapa. Rango de temperatura $5 \div 110$ °C. Presión máxima de trabajo 16bar (con cabezal termostático o electrotérmico 10bar).

INFORMACION

Detentor recto correspondiente: R31TG.

R415PTG

CÓDIGO	MEDIDA	€/ud	□	⊞
R415PX242	1/2"X16	14,60	1	50



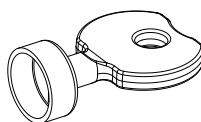
Válvula termostatizable de doble escuadra con pre-regulación, protección de obra y con conexión para tubo de hierro o conexión para adaptador de tubo de cobre, plástico o multicapa. Rango de temperatura $5 \div 110$ °C. Presión máxima de trabajo 16bar (con cabezal termostático o electrotérmico 10bar).

NOTAS

Versión con adaptador: para la conexión a tubo utilizar los adaptadores R178, R179 o R179AM.

R73P

CÓDIGO	MEDIDA	€/ud	□	⊞
R73PV010	-	0,56	1	1.250



Llave para regulación de válvulas de la serie PTG

VÁLVULAS DE RADIADOR TERMOSTATIZABLES CON EQUILIBRADO DINÁMICO SERIE DB

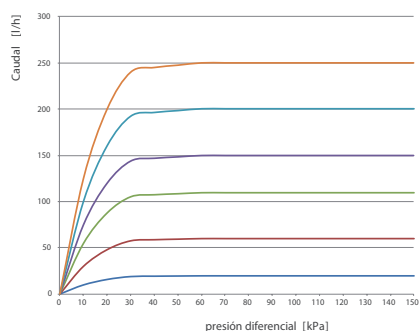
Válvulas de radiador termostáticas con equilibrado hidráulico automático para control preciso de la temperatura ambiente de la estancia.

La válvula limita el caudal al valor determinado a cualquier presión diferencial, evitando fluctuaciones de presión cuando otras válvulas de radiador cierran.

- Equilibrado eficiente de circuito hidráulico para ahorro de energía y nivel de confort superior
- Funciones de preajuste y cierre
- Preajuste con escala graduada para limitación de caudal máximo
- Sustitución de montura con el sistema en funcionamiento
- Gama completa con conexión para tubo de hierro y adaptadores
- Certificación Keymark

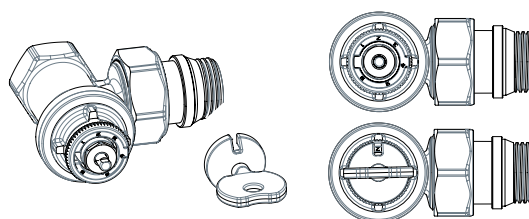
Presión diferencial máxima elevada

Las válvulas DB permiten trabajar con presiones diferenciales máximas elevadas (150kPa), característica que las convierte en la solución perfecta para un amplio campo de aplicaciones.



Preajuste de caudal máximo

Las válvulas DB están equipadas con una montura especial que limita el caudal, definiendo una posición concreta mediante una llave especial.



> VÁLVULAS MANUALES BITUBO

R5TG

Documentación técnica n. 0157IT

CÓDIGO	MEDIDA	€/ud	□	⊞
R5X032	3/8"	7,05	1	50
R5X033	1/2"	8,05	1	50
R5X034	3/4"	13,50	5	50
R5X035	1"	20,05	2	20
R5X036	1 1/4"	27,45	2	20



Válvula manual a escuadra con conexión para tubo de hierro.

Rango de temperatura 5 ÷ 110 °C.

Presión máxima de trabajo 16bar.

NOTAS

Medidas de 3/4", 1" y 1 1/4": enlace sin autojunta.

INFORMACION

Detentor recto correspondiente: R14TG.

R6TG

Documentación técnica n. 0157IT

CÓDIGO	MEDIDA	€/ud	□	⊞
R6X032	3/8"	8,55	1	50
R6X033	1/2"	9,40	1	50
R6X034	3/4"	13,55	5	50
R6X035	1"	19,65	2	20



Válvula manual recta con conexión para tubo de hierro.

Rango de temperatura 5 ÷ 110 °C.

Presión máxima de trabajo 16bar.

NOTAS

Medidas de 3/4", 1" y 1 1/4": enlace sin autojunta.

INFORMACION

Detentor recto correspondiente: R15TG.

R25TG

Documentación técnica n. 0157IT

CÓDIGO	MEDIDA	€/ud	□	⊞
R25X032	3/8"x16	8,50	1	50
R25X033	1/2"x16	8,75	1	50
R25X034	1/2"x18	8,70	1	50
R25X035	3/4"x18	14,30	5	50
R25X036	3/4"x22	14,95	5	50



Válvula manual a escuadra con conexión para adaptador de tubo de cobre, plástico o multicapa.

Rango de temperatura 5 ÷ 110 °C.

Presión máxima de trabajo 16bar.

NOTAS

Medida de 3/4": enlace sin autojunta.

Para la conexión a tubo utilizar los adaptadores R178, R179 o R179AM.

INFORMACION

Detentor recto correspondiente: R29TG.

R27TG

Documentación técnica n. 0157IT

CÓDIGO	MEDIDA	€/ud	□	⊞
R27X032	3/8"x16	9,30	1	50
R27X033	1/2"x16	9,40	1	50
R27X034	1/2"x18	9,65	1	50
R27X035	3/4"x18	13,40	5	50
R27X036	3/4"x22	15,20	5	50



Válvula manual recta con conexión para adaptador de tubo de cobre, plástico o multicapa.

Rango de temperatura 5 ÷ 110 °C.

Presión máxima de trabajo 16bar.



NOTAS

"Medida de 3/4"": enlace sin autojunta. Para la conexión a tubo utilizar los adaptadores R178, R179 o R179AM."

INFORMACION

Detentor recto correspondiente: R31TG.



R707E

CÓDIGO	MEDIDA	€/ud		
R707EX001	3/8"x12	7,25	10	100
R707EX004	1/2"x15	7,90	5	50



Válvula manual escuadra con conexión para soldar.

R725-2

CÓDIGO	MEDIDA	€/ud		
R725X001	1/2"x8	7,05	10	100
R725X002	1/2"x10	7,05	10	100
R725X003	1/2"x15	7,05	10	100





Válvula manual escuadra con conexión para tubo de cobre (bicono incluido).

> DETENTORES

R29TG

Documentación técnica n. 0157IT

CÓDIGO	MEDIDA	€/ud		
R29X032	3/8"x16	6,80	1	50
R29X033	1/2"x16	6,80	1	50
R29X034	1/2"x18	7,20	1	50
R29X035	3/4"x18	12,15	5	50
R29X036	3/4"x22	12,80	5	50





Detentor a escuadra con conexión para adaptador de tubo de cobre, plástico o multicapa.
Rango de temperatura 5 ÷ 110 °C.
Presión máxima de trabajo 16bar.

NOTAS

Para la conexión a tubo utilizar los adaptadores R178, R179 o R179AM.

R31TG

Documentación técnica n. 0157IT

CÓDIGO	MEDIDA	€/ud		
R31X032	3/8"x16	7,50	1	50
R31X033	1/2"x16	7,50	1	50
R31X034	1/2"x18	7,75	1	50
R31X035	3/4"x18	14,30	5	50
R31X036	3/4"x22	15,85	5	50



Detentor recto con conexión para adaptador de tubo de cobre, plástico o multicapa.
Rango de temperatura 5 ÷ 110 °C.
Presión máxima de trabajo 16bar.

NOTAS

Para la conexión a tubo utilizar los adaptadores R178, R179 o R179AM.

R14TG

Documentación técnica n. 0157IT

CÓDIGO	MEDIDA	€/ud	□	⊞
R14X032	3/8"	6,35	1	50
R14X033	1/2"	8,15	1	50
R14X034	3/4"	11,05	5	50
R14X035	1"	17,10	2	20
R14X036	1 1/4"	26,75	2	20



Detentor a escuadra con conexión para tubo de hierro.

Rango de temperatura 5 ÷ 110 °C.

Presión máxima de trabajo 16bar.

NOTAS

Medida de 3/4": enlace sin autojunta y tapa en latón.

R15TG

Documentación técnica n. 0157IT

CÓDIGO	MEDIDA	€/ud	□	⊞
R15X032	3/8"	6,70	1	50
R15X033	1/2"	8,40	1	50
R15X034	3/4"	12,20	5	50
R15X035	1"	19,85	2	20
R15X036	1 1/4"	29,20	2	20



Detentor recto con conexión para tubo de hierro.

Rango de temperatura 5 ÷ 110 °C.

Presión máxima de trabajo 16bar.

NOTAS

Medida de 3/4": enlace sin autojunta y tapa en latón.

R727E

CÓDIGO	MEDIDA	€/ud	□	⊞
R727EX001	3/8"x12	6,05	5	50
R727EX004	1/2"x15	7,85	10	100



Detentor a escuadra con pre-regulación y descarga,

con conexión para tubo de hierro o conexión

Rango de temperatura 5 ÷ 110 °C.

Presión máxima de trabajo 10bar.

R729-2

CÓDIGO	MEDIDA	€/ud	□	⊞
R729X001	1/2"x8	6,50	10	100
R729X002	1/2"x10	6,50	10	100
R729X003	1/2"x15	6,50	10	100



Detentor escuadra con conexión para tubo de cobre (bicono incluido)

R16TG

CÓDIGO	MEDIDA	€/ud	□	⊞
R16X032	3/8"	5,40	1	50
R16X033	1/2"	6,55	1	50



Detentor a escuadra con conexión para tubo de hierro

R17TG

CÓDIGO	MEDIDA	€/ud	□	⊞
R17X032	3/8"	7,10	1	50
R17X033	1/2"	8,25	1	50

Detentor recto con conexión para tubo de hierro



R714TG

CÓDIGO	MEDIDA	€/ud	□	⊞
R714X032	3/8"	7,55	10	100
R714X033	1/2"	7,70	10	100
R714X034	3/4"	9,90	5	50
R714X022	1/2"x16	7,90	10	100
R714X023	1/2"x18	8,00	10	100

Detentor a escuadra con pre-regulación y descarga, con conexión para tubo de hierro o conexión para adaptador.

Rango de temperatura 5 ÷ 110 °C.

Presión máxima de trabajo 10bar.

NOTAS

El anillo de memoria permite bloquear la apertura máxima del detentor



R715TG

CÓDIGO	MEDIDA	€/ud	□	⊞
R715X032	3/8"	7,30	10	100
R715X033	1/2"	8,10	10	100
R715X034	3/4"	10,55	5	50
R715X022	1/2"x16	8,30	10	100
R715X023	1/2"x18	8,40	10	100

Detentor recto con pre-regulación y descarga, con conexión para tubo de hierro o conexión para adaptador de tubo de cobre, plástico o multicapa.

Rango de temperatura 5 ÷ 110 °C.

Presión máxima de trabajo 10bar.

NOTAS

El anillo de memoria permite bloquear la apertura máxima del detentor



R700

CÓDIGO	MEDIDA	€/ud	□	⊞
R700Y001	-	7,95	5	50

Accesorio para vaciado en detentores R714TG y R715TG.



> VÁLVULAS MONOTUBO Y BITUBO 4 VÍAS

R440N

Documentación técnica n. 0280IT

CÓDIGO	MEDIDA	€/ud	□	⊞
R440NX032	1/2"x16	19,10	5	50



Válvula bitubo termostatzable compacta, de doble reglaje, con conexión para adaptador de tubo de cobre, plástico o multicapa. Incluye sonda de plástico de 450mm. Rango de temperatura 5 ÷ 110 °C. Presión máxima de trabajo 10bar.

NOTAS

Para la conexión a tubo utilizar los adaptadores R178, R179 o R179AM. Separación ejes: 35mm

R356B1

Documentación técnica n. 0185IT

CÓDIGO	MEDIDA	€/ud	□	⊞
R356BX062	1/2"x18	19,25	1	50



Válvula bitubo termostatzable vertical recta, de doble reglaje, con conexión para adaptador de tubo de cobre, plástico o multicapa. Sonda no incluida. Rango de temperatura 5 ÷ 110 °C. Presión máxima de trabajo 10bar.

NOTAS

Válvula compatible con sonda (Ø12) R171FY002. Para la conexión a tubo utilizar los adaptadores R178, R179 o R179AM. Separación ejes: 50mm

R357B1

Documentación técnica n. 0185IT

CÓDIGO	MEDIDA	€/ud	□	⊞
R357BX062	1/2"x18	22,25	1	25



Válvula bitubo termostatzable vertical derecha, de doble reglaje, con conexión para adaptador de tubo de cobre, plástico o multicapa. Sonda no incluida. Rango de temperatura 5 ÷ 110 °C. Presión máxima de trabajo 10bar.

NOTAS

Válvula compatible con sonda (Ø12) R171FY002. Para la conexión a tubo utilizar los adaptadores R178, R179 o R179AM. Separación ejes: 50mm

R358B1

Documentación técnica n. 0185IT

CÓDIGO	MEDIDA	€/ud	□	⊞
R358BX062	1/2"x18	22,25	1	25



Válvula bitubo termostatzable vertical izquierda, de doble reglaje, con conexión para adaptador de tubo de cobre, plástico o multicapa. Sonda no incluida. Rango de temperatura 5 ÷ 110 °C. Presión máxima de trabajo 10bar.

NOTAS

Válvula compatible con sonda (Ø12) R171FY002. Para la conexión a tubo utilizar los adaptadores R178, R179 o R179AM. Separación ejes: 50mm

R304T

Documentación técnica n. 0155IT

CÓDIGO	MEDIDA	€/ud	□	▣
R304TX011	1/2"x16	25,45	2	20
R304TX012	1/2"x18	25,45	2	20
R304TX013	3/4"x16	25,45	2	20
R304TX014	3/4"x18	25,45	2	20
R304TX015	1"x16	25,45	2	20
R304TX016	1"lz x16	25,45	2	20
R304TX017	1"x18	25,45	2	20
R304TX018	1"lz x18	25,45	2	20



Consultar página 16



25,1

Válvula monotubo-bitubo termostatizable, de doble reglaje, con volante orientable 0-180°, con conexión para adaptador de tubo de cobre, plástico o multicapa.
Sonda no incluida.
Rango de temperatura 5 ÷ 110 °C.
Presión máxima de trabajo 10bar.

NOTAS

R304TX011 y R304TX012 compatibles con sonda (Ø11) R171CY001, R171PY001.

R304TX013 y R304TX014 compatibles con sonda (Ø12) R171CY002, R171PY002.

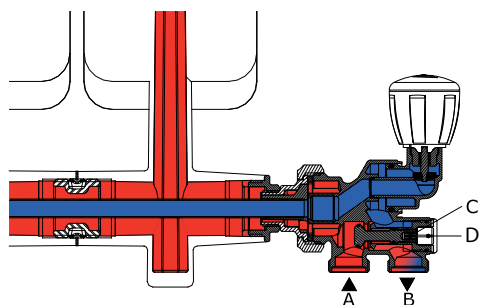
R304TX015, R304TX016, R304TX017 y R304TX018 compatibles con sonda (Ø14) R171CY003, R171PY003.

Para la conexión a tubo utilizar los adaptadores R178, R179 o R179AM.

Base 16: separación ejes 35mm

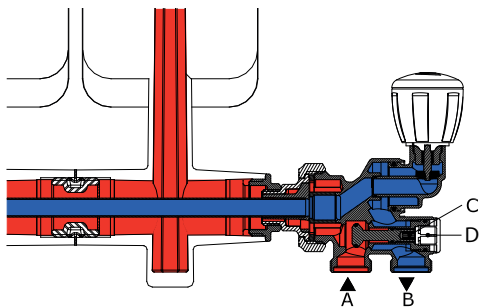
Base 18: separación ejes 50mm

Aplicación monotubo



Para utilizar la válvula R304T en la versión monotubo, se debe utilizar una llave Allen de 10 mm. en el detentor externo (D), girándolo en sentido antihorario para abrir completamente el by-pass. Es posible desmontar el radiador, en caso de que el detentor interior (C) esté completamente cerrado, mediante una llave Allen de 4 mm. Para el funcionamiento correcto de la válvula es recomendable que el fluido de entrada acceda en la válvula de ataque más cercana al cuerpo emisor. En el caso de que la presión diferencial en las conexiones de la válvula no sea alta, como en el caso de radiadores de tamaño reducido, el funcionamiento está garantizado incluso utilizando como entrada la conexión más alejada al cuerpo emisor.

Aplicación bitubo



El funcionamiento de la válvula R304T en la versión bitubo se obtiene cerrando el detentor externo (D) en sentido horario con una llave Allen de 10 mm. para impedir el by-pass del fluido en la válvula. El detentor interno (C) permite, mediante una llave Allen de 4 mm, equilibrar el paso del fluido que circula por el cuerpo emisor y permite también desmontar el radiador en caso de que venga completamente cerrado. Para el funcionamiento óptimo de la válvula, es recomendable que el fluido de entrada acceda en la válvula por la conexión más cercana al cuerpo emisor. En el caso en que la presión diferencial en las conexiones de la válvula no sea alta, como en el caso de radiadores de tamaño reducido, el funcionamiento está garantizado incluso utilizando como entrada la conexión más alejada del cuerpo emisor.

R437

CÓDIGO	MEDIDA	€/ud	□	▣
R437X032	1/2"x18 sonda 450mm	19,25	5	50
R437X042	1/2"x18 sonda 125mm	18,90	5	50



Consultar página 16



Válvula monotubo termostatizable, de doble reglaje, con conexión para adaptador de tubo de cobre, plástico o multicapa.
Incluye sonda de plástico.
Rango de temperatura 5 ÷ 110 °C.
Presión máxima de trabajo 10bar.

NOTAS

R437X032 incluye sonda de plástico de 450mm

R437X042 incluye sonda de plástico de 125mm

Para la conexión a tubo utilizar los adaptadores R178, R179 o R179AM.

Separación ejes: 50mm

INFORMACION

Sin sentido de circulación

R437N

Documentación técnica n. 0281IT

CÓDIGO	MEDIDA	€/ud	□	⊞
R437NX041	1/2"x16 sonda 125mm	17,75	5	50



Consultar
página 16



Válvula monotubo termostatizable compacta, de doble reglaje, con conexión para adaptador de tubo de cobre, plástico o multicapa. Incluye sonda de plástico de 125mm. Rango de temperatura 5 ÷ 110 °C. Presión máxima de trabajo 10bar.

NOTAS

Para la conexión a tubo utilizar los adaptadores R178, R179 o R179AM.
Separación ejes: 35mm

INFORMACION

Sin sentido de circulación

R356M1

Documentación técnica n. 0185IT

CÓDIGO	MEDIDA	€/ud	□	⊞
R356MX061	1/2"x16	17,15	1	50
R356MX062	1/2"x18	18,45	1	50



Consultar
página 16



Válvula monotubo termostatizable vertical recta, de doble reglaje, con conexión para adaptador de tubo de cobre, plástico o multicapa. Sonda no incluida. Rango de temperatura 5 ÷ 110 °C. Presión máxima de trabajo 10bar.

NOTAS

Válvula compatible con sonda (Ø12) R171FY002. Para la conexión a tubo utilizar los adaptadores R178, R179 o R179AM.
Base 16: separación ejes 35mm
Base 18: separación ejes 50mm

R357M1

Documentación técnica n. 0185IT

CÓDIGO	MEDIDA	€/ud	□	⊞
R357MX061	1/2"x16	21,10	1	25
R357MX062	1/2"x18	23,55	1	25



Consultar
página 16



Válvula monotubo termostatizable vertical derecha, de doble reglaje, con conexión para adaptador de tubo de cobre, plástico o multicapa. Sonda no incluida. Rango de temperatura 5 ÷ 110 °C. Presión máxima de trabajo 10bar.

NOTAS

Válvulas R357MX061 y R357MX062 compatibles con sonda (Ø12) R171FY002. Para la conexión a tubo utilizar los adaptadores R178, R179 o R179AM.
Base 16: separación ejes 35mm
Base 18: separación ejes 50mm

R358M1

Documentación técnica n. 0185IT

CÓDIGO	MEDIDA	€/ud	□	⊞
R358MX061	1/2"x16	21,10	1	25
R358MX062	1/2"x18	23,55	1	25



Consultar
página 16



Válvula monotubo termostatizable vertical izquierda, de doble reglaje, con conexión para adaptador de tubo de cobre, plástico o multicapa. Sonda no incluida. Rango de temperatura 5 ÷ 110 °C. Presión máxima de trabajo 10bar.

NOTAS

Válvulas R358MX061 y R358MX062 compatibles con sonda (Ø12) R171FY002. Para la conexión a tubo utilizar los adaptadores R178, R179 o R179AM.
Base 16: separación ejes 35mm
Base 18: separación ejes 50mm

R324N

Documentación técnica n. 0185IT

CÓDIGO	MEDIDA	€/ud	□	⊞
R324NX011	1/2"x16	24,20	2	20
R324NX012	1/2"x18	24,20	2	20
R324NX013	3/4"x16	24,20	2	20
R324NX014	3/4"x18	24,20	2	20
R324NX015	1"lz x16	24,20	2	20
R324NX016	1"lz x18	24,20	2	20
R324NX017	1"x16	24,20	2	20
R324NX018	1"x18	24,20	2	20



Válvula monotubo manual con conexión para adaptador de tubo de cobre, plástico o multicapa. Sonda no incluida.

Rango de temperatura $5 \div 110$ °C.
Presión máxima de trabajo 10bar.

NOTAS

R324NX011 y R324NX012 compatibles con sonda (Ø11) R171CY001, R171PY001.
R324NX013 y R324NX014 compatibles con sonda (Ø12) R171CY002, R171PY002.
R324NX015, R324NX016, R324NX017 y R324NX018 compatibles con sonda (Ø14) R171CY003, R171PY003."

INFORMACION

Sin sentido de circulación

R314N

CÓDIGO	MEDIDA	€/ud	□	⊞
R314NX022	1/2"x16	15,45	4	20



Válvula monotubo manual con conexión para adaptador de tubo de cobre, plástico o multicapa. Sonda no incluida.

Rango de temperatura $5 \div 110$ °C.
Presión máxima de trabajo 10bar.

NOTAS

Se suministra con sonda de plástico Ø12mm x 125mm (052P00052).

Separación entre ejes: 35mm

INFORMACION

Sin sentido de circulación

R438TG

CÓDIGO	MEDIDA	€/ud	□	⊞
R438X062	1/2" X16	25,10	1	25
R438X063	1/2" X18	26,75	1	25



Grupo bitubo termostatzable, de doble reglaje, con conexión para adaptador de tubo de cobre, plástico o multicapa.

Conexión de tubería desde suelo y válvula de doble escuadra.

Rango de temperatura $5 \div 110$ °C.
Presión máxima de trabajo 10bar.

NOTAS

Tubo cromado R194 no incluido.

Base 16: separación entre ejes 35mm.
Base 18: separación entre ejes 50mm.

R438-1

CÓDIGO	MEDIDA	€/ud	□	⊞
R438IX043	1/2" X16	24,50	1	25
R438IX044	1/2" X18	26,10	1	20



Grupo bitubo termostatzable recto, de doble reglaje, con válvula recta, acabado cromado, con conexión para adaptadores y enlace con autojunta.

NOTAS

Tubo cromado R194 no incluido.

Base 16: separación entre ejes 35mm.
Base 18: separación entre ejes 50mm.

R438M-1

CÓDIGO	MEDIDA	€/ud	□	▣
R438MX033	1/2"x18	26,60	1	25



Grupo bitubo termostatzable, de doble reglaje, con conexión para adaptador de tubo de cobre, plástico o multicapa.

Conexión de tubería desde pared y válvula recta con codo.

Rango de temperatura 5 ÷ 110 °C.

Presión máxima de trabajo 10bar.

NOTAS

Tubo cromado R194 no incluido.

Separación entre ejes: 50mm.

R436TG

CÓDIGO	MEDIDA	€/ud	□	▣
R436X062	1/2"x16	23,50	1	25
R436X063	1/2"x18	27,10	1	25



Consultar página 16



Grupo monotubo termostatzable, de doble reglaje, con conexión para adaptador de tubo de cobre, plástico o multicapa.

Conexión de tubería desde suelo y válvula de doble escuadra.

Rango de temperatura 5 ÷ 110 °C.

Presión máxima de trabajo 10bar.

NOTAS

Tubo cromado R194 no incluido.

Base 16: separación entre ejes 35mm.

Base 18: separación entre ejes 50mm.

R436M

CÓDIGO	MEDIDA	€/ud	□	▣
R436MX037	1/2"x18	28,05	1	25



Consultar página 16



Grupo monotubo termostatzable, de doble reglaje, con conexión para adaptador de tubo de cobre, plástico o multicapa.

Conexión de tubería desde pared y válvula de doble escuadra.

Rango de temperatura 5 ÷ 110 °C.

Presión máxima de trabajo 10bar.

NOTAS

Tubo cromado R194 no incluido.

Separación entre ejes: 50mm.

R436-1

CÓDIGO	MEDIDA	€/ud	□	▣
R436IX043	1/2"x16	23,50	1	25
R436IX044	1/2"x18	27,40	1	25



Consultar página 16



Grupo monotubo termostatzable, de doble reglaje, con conexión para adaptador de tubo de cobre, plástico o multicapa.

Conexión de tubería desde suelo y válvula recta con codo.

Rango de temperatura 5 ÷ 110 °C.

Presión máxima de trabajo 10bar.

NOTAS

Tubo cromado R194 no incluido.

Base 16: separación entre ejes 35mm.

Base 18: separación entre ejes 50mm.

R436M-1

CÓDIGO	MEDIDA	€/ud	□	⊞
R436MX033	1/2"x18	28,05	1	25



Consultar
página 16



Grupo monotubo termostatzable, de doble reglaje, con conexión para adaptador de tubo de cobre, plástico o multicapa.
Conexión de tubería desde pared y válvula recta con codo.
Rango de temperatura 5 ÷ 110 °C.
Presión máxima de trabajo 10bar.

NOTAS

Tubo cromado R194 no incluido.

Separación entre ejes: 50mm.

R314DN

CÓDIGO	MEDIDA	€/ud	□	⊞
R314DX033	1/2"x16	29,95	1	10



Grupo monotubo manual, de doble reglaje, con conexión para adaptador de tubo de cobre, plástico o multicapa.
Conexión de tubería desde suelo o pared.
Rango de temperatura 5 ÷ 110 °C.
Presión máxima de trabajo 10bar.

NOTAS

Combinar con tubo cromado R191X013, no incluido.

Separación entre ejes: 35mm.

R194

CÓDIGO	MEDIDA	€/ud	□	⊞
R194X002	Ø16 x 600mm	11,40	1	50
R194X003	Ø16 x 900mm	19,70	1	50
R194X004	Ø16 x 1000mm	22,30	1	50
R194X006	Ø16 x 1200mm	26,50	1	50
R194X013	Ø15 x 1000mm	36,90	1	-



Tubo de cobre cromado para grupos bitubo / monotubo



CONDICIONES DE INSTALACIÓN DE LAS VÁLVULAS TERMOSTATIZABLES CON REPARTIDORES DE COSTES COMUNIDADES

Todas las válvulas termostatzables de Giacomini son compatibles con instalaciones centralizadas equipadas con repartidores de costes, siendo recomendable mejorar la calidad del agua (mediante filtros magnéticos tipo R146M) y también el equilibrado hidráulico para evitar ruidos por exceso de caudal (mediante válvulas de equilibrado R206C en columna).

En instalaciones por columnas deben instalarse válvulas BITUBO, mientras que en instalaciones mixtas (con columnas y anillos de 2 o tres radiadores) deben instalarse válvulas MONOTUBO.

En el caso de instalaciones MONOTUBO debe tenerse en cuenta que todas las válvulas termostatzables del mercado, y también las de Giacomini, trabajan con elemento de cierre a la salida del radiador. Esta característica permite regular la emisión de calor y, en determinadas condiciones de temperatura, puede dar lugar al calentamiento moderado del radiador incluso con la válvula cerrada. En el caso de que el radiador alcance la temperatura de conteo, es posible que el repartidor de costes registre consumos residuales de poca cuantía, por lo que el usuario debe ser informado de las ventajas de la termostatzación en comparación con este consumo residual, a fin de que pueda valorar la conveniencia o no de su instalación.

> VÁLVULAS PARA PANELES DE ACERO

R383

CÓDIGO	MEDIDA	€/ud	□	⊞
R383X001	3/4"x18	20,75	1	-
R383X002	3/4"x3/4"E	20,80	1	-
R383X011	1/2"x18	23,25	1	-
R383X012	1/2"x3/4"E	23,25	1	-



Válvula mono-bitubo recta para paneles de acero, con regulación y conexión para adaptador de tubo de cobre, plástico o multicapa. Rango de temperatura 5 ÷ 110 °C. Presión máxima de trabajo 10bar.

NOTAS

R383X001 y R383X002 con conexión 3/4" Eurocono a panel.

R384

CÓDIGO	MEDIDA	€/ud	□	⊞
R384X001	3/4"x18	19,60	1	-
R384X002	3/4"x3/4"E	19,30	1	-
R384X011	1/2"x18	21,60	1	-
R384X012	1/2"x3/4"E	21,95	1	-



Válvula mono-bitubo a escuadra para paneles de acero, con regulación y conexión para adaptador de tubo de cobre, plástico o multicapa. Rango de temperatura 5 ÷ 110 °C. Presión máxima de trabajo 10bar.

NOTAS

R384X001 y R384X002 con conexión 3/4" Eurocono a panel.

R387

CÓDIGO	MEDIDA	€/ud	□	⊞
R387X001	3/4"x18	12,90	1	-
R387X002	3/4"x3/4"E	12,90	1	-



Válvula bitubo recta para paneles de acero, con regulación y conexión para adaptador de tubo de cobre, plástico o multicapa. Rango de temperatura 5 ÷ 110 °C. Presión máxima de trabajo 10bar.

NOTAS

Conexión 3/4" Eurocono a panel.

R388

CÓDIGO	MEDIDA	€/ud	□	⊞
R388X001	3/4"x18	11,95	1	-
R388X002	3/4"x3/4"E	11,95	1	-



Válvula bitubo a escuadra para paneles de acero, con regulación y conexión para adaptador de tubo de cobre, plástico o multicapa. Rango de temperatura 5 ÷ 110 °C. Presión máxima de trabajo 10bar.

NOTAS

Conexión 3/4" Eurocono a panel.

R483

CÓDIGO	MEDIDA	€/ud	□	⊞
R483Y001	3/4"E para R383 y R384	1,42	1	50
R483Y002	1/2"x3/4" para R383 y R384	3,15	1	50
R483Y003	1/2"x3/4" para R387 y R388	3,50	1	50



Adaptador con autojunta de válvulas mono-bitubo para panel de acero R383, R384, R387 y R388

> VÁLVULAS ACABADO CROMADO PULIDO

T439L

Documentación técnica n. 0403IT

CÓDIGO	MEDIDA	€/ud	□	⊞
T439LX023	1/2"x16	73,65	1	10
T439LX033	1/2"x16	73,70	1	10



Kit para toallero cromado pulido, compuesto de válvula con doble reglaje y detentor, ambos en doble escuadra, con conexión para adaptador de tubo de cobre, plástico o multicapa. Disponible en versión válvula a izquierda y detentor a derecha o en versión válvula a derecha y detentor a izquierda. Florón incluido. Rango de temperatura 5 ÷ 110 °C. Presión máxima de trabajo 10bar.

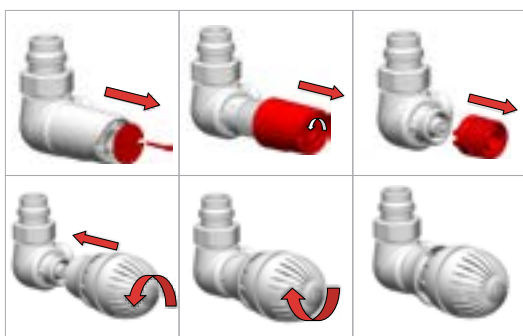
NOTAS

Para la conexión a tubo utilizar los adaptadores T178 o T179AM.

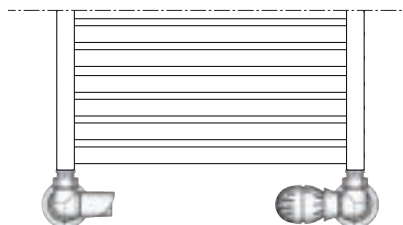
T439LX023: Válvula a izquierda y detentor a derecha.

T439LX033: Válvula a derecha y detentor a izquierda.

INSTALACIÓN DEL CABEZAL TERMOSTÁTICO



EJEMPLO DE INSTALACIÓN CON VÁLVULA A DERECHA



P56T

CÓDIGO	MEDIDA	€/ud	□	⊞
P56TY001	-	48,65	1	100



Llave para sustitución de montura en válvula termostática del Kit T439L

T431C

Documentación técnica n. 0181IT

CÓDIGO	MEDIDA	€/ud	□	⊞
T431CX003	1/2"x16	21,65	1	20



Válvula termostaticable a escuadra, de doble reglaje y con conexión para adaptador de tubo de cobre, plástico o multicapa. Acabado en cromado pulido. Rango de temperatura 5 ÷ 110 °C. Presión máxima de trabajo 16bar (con cabezal termostático o electrotérmico 10bar).

NOTAS

Para la conexión a tubo utilizar los adaptadores T178 o T179AM.

T432C

Documentación técnica n. 0182IT

CÓDIGO	MEDIDA	€/ud	□	⊞
T432CX003	1/2"x16	21,65	1	20



Válvula termostaticable recta, de doble reglaje y con conexión para adaptador de tubo de cobre, plástico o multicapa. Acabado en cromado pulido. Rango de temperatura 5 ÷ 110 °C. Presión máxima de trabajo 16bar (con cabezal termostático o electrotérmico 10bar).

NOTAS

Para la conexión a tubo utilizar los adaptadores T178 o T179AM.

T25C

Documentación técnica n. 0143IT

CÓDIGO	MEDIDA	€/ud	□	⊞
T25CX003	1/2"x16	21,75	1	20



Válvula manual a escuadra con conexión para adaptador de tubo de cobre, plástico o multicapa. Acabado cromado pulido. Rango de temperatura 5 ÷ 110 °C. Presión máxima de trabajo 16bar.

NOTAS

Para la conexión a tubo utilizar los adaptadores T178 o T179AM.

T27C

Documentación técnica n. 0143IT

CÓDIGO	MEDIDA	€/ud	□	⊞
T27CX003	1/2"x16	21,85	1	20



Válvula manual recta con conexión para adaptador de tubo de cobre, plástico o multicapa. Acabado cromado pulido. Rango de temperatura 5 ÷ 110 °C. Presión máxima de trabajo 16bar.

NOTAS

Para la conexión a tubo utilizar los adaptadores T178 o T179AM.

T29C

Documentación técnica n. 0181IT

CÓDIGO	MEDIDA	€/ud	□	⊞
T29CX003	1/2"x16	21,80	1	20



Detentor a escuadra con conexión para adaptador de tubo de cobre, plástico o multicapa. Acabado cromado pulido. Rango de temperatura 5 ÷ 110 °C. Presión máxima de trabajo 16bar.

NOTAS

Para la conexión a tubo utilizar los adaptadores T178 o T179AM.

T31C

Documentación técnica n. 0182IT

CÓDIGO	MEDIDA	€/ud	□	⊞
T31CX003	1/2"x16	21,45	1	20



Detentor recto con conexión para adaptador de tubo de cobre, plástico o multicapa. Acabado cromado pulido. Rango de temperatura 5 ÷ 110 °C. Presión máxima de trabajo 16bar.

NOTAS

Para la conexión a tubo utilizar los adaptadores T178 o T179AM.

T357B

CÓDIGO	MEDIDA	€/ud	□	⊞
T357BX021	1/2" x16 DX	44,55	1	25



Válvula bitubo termostatizable vertical derecha, de doble reglaje, con conexión para adaptador de tubo de cobre, plástico o multicapa. Acabado cromado pulido.
Sonda no incluida.
Rango de temperatura 5 ÷ 110 °C.
Presión máxima de trabajo 10bar.

NOTAS

Válvula compatible con sonda (Ø12) R171CY002 o R171PY002.

Para la conexión a tubo utilizar los adaptadores T178 o T179AM.

Base 16: separación ejes 35mm

T358B

CÓDIGO	MEDIDA	€/ud	□	⊞
T358BX021	1/2" x16 SX	44,55	1	25



Válvula bitubo termostatizable vertical izquierda, de doble reglaje, con conexión para adaptador de tubo de cobre, plástico o multicapa. Acabado cromado pulido.
Sonda no incluida.
Rango de temperatura 5 ÷ 110 °C.
Presión máxima de trabajo 10bar.

NOTAS

Válvula compatible con sonda (Ø12) R171CY002 o R171PY002.

Para la conexión a tubo utilizar los adaptadores T178 o T179AM.

Base 16: separación ejes 35mm

T357M

CÓDIGO	MEDIDA	€/ud	□	⊞
T357MX011	1/2" x16	43,75	1	25



Válvula monotubo termostatizable vertical derecha, de doble reglaje, con conexión para adaptador de tubo de cobre, plástico o multicapa. Acabado cromado pulido.
Sonda no incluida.
Rango de temperatura 5 ÷ 110 °C.
Presión máxima de trabajo 10bar.

NOTAS

Válvula compatible con sonda (Ø12) R171CY002 o R171PY002.

Para la conexión a tubo utilizar los adaptadores T178 o T179AM.

Base 16: separación ejes 35mm

T358M

CÓDIGO	MEDIDA	€/ud	□	⊞
T358MX011	1/2" x16	43,70	1	25



Válvula monotubo termostatizable vertical izquierda, de doble reglaje, con conexión para adaptador de tubo de cobre, plástico o multicapa. Acabado cromado pulido.
Sonda no incluida.
Rango de temperatura 5 ÷ 110 °C.
Presión máxima de trabajo 10bar.

NOTAS

Válvula compatible con sonda (Ø12) R171CY002 o R171PY002.

Para la conexión a tubo utilizar los adaptadores T178 o T179AM.

Base 16: separación ejes 35mm

> ACCESORIOS CROMADOS PULIDOS

T179M

CÓDIGO	MEDIDA	€/ud	☐	☒
T179MX009	16x(16x2)	6,00	1	10

Adaptador cromado pulido para tubo multicapa y plástico.

Conforme a la norma EN 1254-3.

Junta tórica negra conforme a norma EN 681-1.

Válido para instalaciones hidráulicas.

Rango de temperatura 5 ÷ 110 °C.

Presión máxima de trabajo 10bar.



T178C

CÓDIGO	MEDIDA	€/ud	☐	☒
T178CX016	16x15	3,60	1	15
T178CX018	16x16	3,60	1	15

Adaptador cromado pulido para tubo de cobre en instalaciones hidráulicas. Conforme a la norma EN 1254-2.

Junta tórica negra conforme a la norma EN681-1.

Rango de temperatura: 5÷110 °C

Presión máxima de trabajo: 10 bar

NOTAS

ATENCIÓN! Se recomienda no apretar más de 1/8 de vuelta con la llave, una vez apretada la tuerca a tope con la mano.

Un apriete excesivo de la tuerca puede dañar los componentes de la unión.



T470C

CÓDIGO	MEDIDA	€/ud	☐	☒
T470CX001	-	21,05	1	50

Cabezal termostático de baja inercia, con sensor a líquido. Acabado cromado pulido.

Sistema de anclaje CLIP-CLAP.

Regulación de 8°C a 32°C de temperatura ambiente.

Rango de temperatura en combinación con el cuerpo de válvula 5 ÷ 110 °C.

Presión máxima de trabajo en combinación con el cuerpo de válvula 10bar.



INFORMACION

Certificado Keymark

T175D

CÓDIGO	MEDIDA	€/ud	☐	☒
T175DX001	12-18mm	2,55	1	25

Florón simple de plástico. Acabado cromado pulido. Para tubo de Ø12 ÷ 18mm.



T175D-1

CÓDIGO	MEDIDA	€/ud	☐	☒
T175DX011	12-18mm	6,90	1	25

Florón simple de plástico, con cubretubos, para kit de toallero T439L. Acabado cromado lucido.



T177

CÓDIGO	MEDIDA	€/ud	☐	☒
T177X010	16x1/2"	7,85	1	25

Racor para transformar "base para adaptador" a conexión a "tubo de hierro", en latón. Acabado cromado pulido.

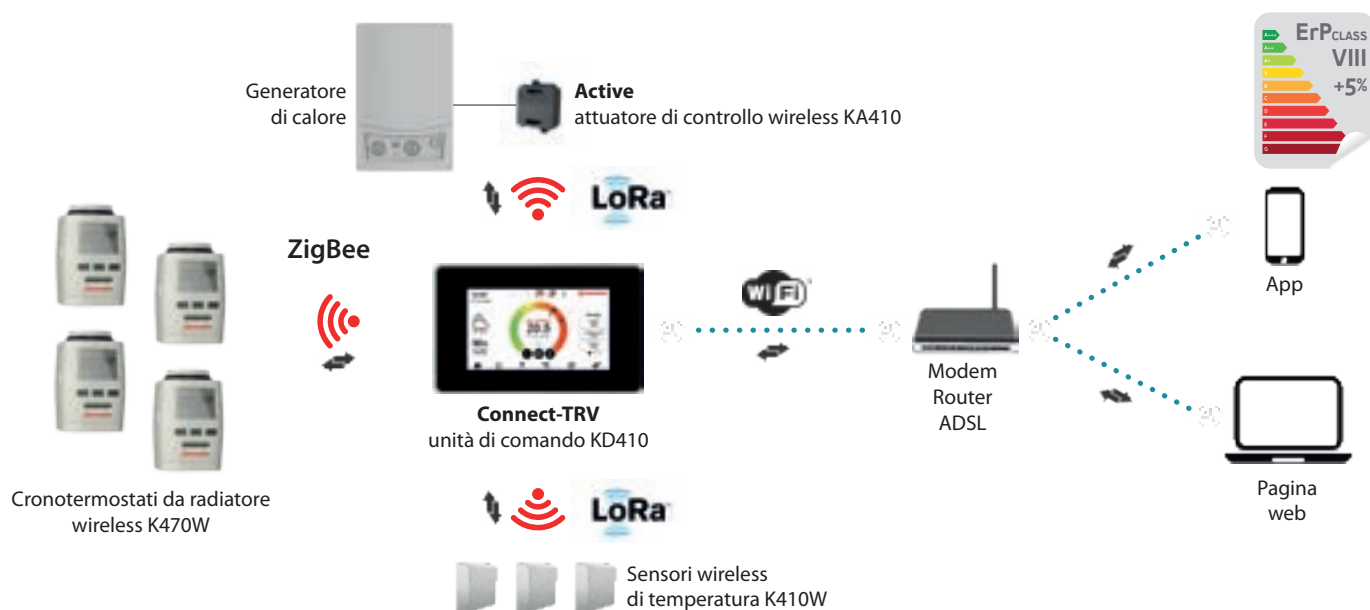


> REGULACIÓN WIRELESS KLIMADOMOTIC



KLIMAdomotiv es un sistema de regulación inteligente optimizado para los sistemas de termorregulación con válvulas termostáticas radiocontroladas (Wireless).

La unidad de control KD410 **Connect-TRV** permite al usuario permanecer conectado a su sistema de calefacción: se configura fácilmente gracias a una interfaz gráfica 'user friendly' y es controlado de forma remota, ya sea a través del PC con la página web asociada o bien a través de los Smartphone, gracias a la **APP específica "Giacomini Connect"**.



Regulación STAND ALONE



Giacomini ofrece una amplia gama de cabezales termostáticos de baja inercia con sensor de líquido, para la regulación y el control automático de la temperatura del radiador.

Regulando automáticamente el flujo de fluido caliente al radiador de acuerdo con el valor establecido se alcanza el máximo confort y ahorro energético. Disponible para montaje en válvulas Giacomini y también de otros fabricantes.

La nueva generación de los actuadores para válvulas de radiador Giacomini está representado por el cabezal electrónico cronotermostático.

Es un dispositivo tecnológicamente avanzado, compacto, silencioso, de largo alcance. Las teclas de función, la rueda giratoria y una pantalla LCD permiten una fácil programación semanal con diferentes modos de activación diarias y tres diferentes puntos de ajuste de temperatura: confort, eco / noche y anticongelante.

K470W

CÓDIGO	MEDIDA	€/ud	□	⊞
K470WX001	-	154,75	1	-



NEW

ZigBee

Cronotermostato para radiador con comunicación radio (estándar ZigBee).

Funcionamiento Stand-Alone gracias al display y a los comandos integrados o en combinación a la unidad de control Connect-TRV para la gestión remota de la instalación de calefacción.

Completo de adaptador para instalación sobre el cuerpo de válvula Giacomini serie "TG" o serie "H". Programación semanal con cuatro franjas horarias diarias configurables.

Alimentación con 2 pilas de 1,5V tipo AA.

Grado de protección IP30.

Temperatura de trabajo 0 ÷ 50°C.

Temperatura de almacenamiento -20 ÷ 70°C.

Conforme a la directiva 2004/1018/CE.

KD410

CÓDIGO	MEDIDA	€/ud	□	⊞
KD410Y002	-	968,05	1	-



NEW

ZigBee LoRa



Unidad de control Connect-Rad con pantalla táctil capacitiva para la gestión de la regulación climática.

Soporta los siguientes protocolos de comunicación: ZigBee (comunicación con actuadores termostáticos K470W), LoRa (comunicación wireless con KPM40 Hydro, KPM45 Air y sensores de temperatura y humedad - En preparación), WiFi (comunicación con Router WiFi), Modbus (Versión cableada para KPM40 Base). Se pueden conectar hasta 4 unidades KPM40 Base.

Pantalla táctil tipo capacitivo integrada en superficie de cristal, conexión eléctrica (alimentación y señal bus) por conector rápido por la parte posterior. Adaptable a las cajas de empotrar a pared más comunes (de empotrar a pared tipo 503, caja rectangular para cartonyeso, caja redonda).

Alimentación 12V mediante módulo actuador KPM45.

Certificación CE.

K410W

CÓDIGO	MEDIDA	€/ud	□	⊞
KE410WY001	Temperatura	168,10	1	-



NEW

LoRa

Sensor wireless de temperatura.

Instalar opcionalmente en ambientes regulados por válvula termostática con control K470W.

Comunicación con Connect-TRV por protocolo LoRa, garantizando una elevada fiabilidad de las prestaciones radio (gran alcance y extremada reducción de interferencias) y elevada eficiencia energética de las pilas (envío de datos al sistema solo con variaciones apreciables de las unidades medidas, reduciendo por tanto el número de transmisiones).

Alimentación con dos pilas de 1,5V tipo AA.

Certificación CE.

KE410

CÓDIGO	MEDIDA	€/ud	□	⊞
KE410Y002	-	244,00	1	-

Repetidor wireless de señal ZigBee, a utilizar en el caso de extensión de la cobertura radio entre unidad de control Connect-TRV y las válvulas termostáticas más lejanas.

Conectar a toma eléctrica de 230Vac.

Potencia máxima admitida: 2,4KW.

Certificación CE.



NEW

ZigBee

KA410

CÓDIGO	MEDIDA	€/ud	□	⊞
KA410Y001	-	289,45	1	-

Actuador de control wireless para marcha/ paro de generador de calor (caldera, bomba de calor, servomotor eléctrico).

Comunicación con unidad de control Connect-TRV con protocolo LoRa.

Conectar a toma eléctrica de 230Vac.

Certificación CE.



NEW

LoRa

> CRONOTERMOSTATOS PARA RADIADORES Y CABEZALES TERMOSTÁTICOS

R468

CÓDIGO	MEDIDA	€/ud	□	⊞
R468X001	-	16,95	1	50



Cabezal termostático de baja inercia, con sensor a líquido. Sistema de anclaje CLIP-CLAP. Posibilidad de bloquear la apertura y/o el cierre. Regulación de 8°C a 28°C de temperatura ambiente. Posición de "0" para cierre completo. Rango de temperatura en combinación con el cuerpo de válvula 5 ÷ 110 °C. Presión máxima de trabajo en combinación con el cuerpo de válvula 10bar. Numeración en Braille.

INFORMACION

TELL A - Certificado Keymark

R468H

Documentación técnica n. 0651IT

CÓDIGO	MEDIDA	€/ud	□	⊞
R468HX001	-	20,10	1	50



Cabezal termostático de baja inercia, con sensor a líquido. Sistema de anclaje M30 x 1,5mm. Posibilidad de bloquear la apertura y/o el cierre. Regulación de 8°C a 28°C de temperatura ambiente. Posición de "0" para cierre completo. Rango de temperatura en combinación con el cuerpo de válvula 5 ÷ 110 °C. Presión máxima de trabajo en combinación con el cuerpo de válvula 10bar. Numeración en Braille.

INFORMACION

TELL A - Certificado Keymark

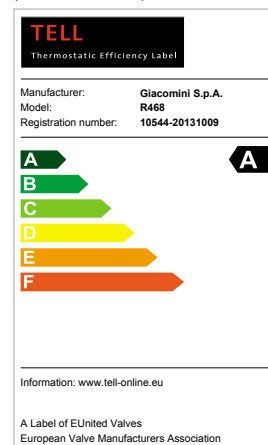
Etichetta TELL

El cabezal termostático R468, dispone de la etiqueta TELL (Thermostatic Efficiency Label) de la clase A de eficiencia energética. TELL es un sistema de clasificación europeo, aplicable a las válvulas termostáticas para radiadores, pensados para informar y orientar al consumidor en cuanto a la decisión de compra y el uso energético responsable.

El criterio de clasificación TELL para cabezal termostático comprende los siguientes valores:

- influencia de la temperatura del agua
- histéresis
- tiempo de respuesta
- influencia de la presión diferencial

TELL R468: nr. reg. 10544-20131009
(válida hasta el 2017)



R470

Documentación técnica n. 0112IT

CÓDIGO	MEDIDA	€/ud	□	⊞
R470X001	-	16,40	1	50



Cabezal termostático de baja inercia, con sensor a líquido. Sistema de anclaje CLIP-CLAP. Regulación de 8°C a 32°C de temperatura ambiente. Rango de temperatura en combinación con el cuerpo de válvula 5 ÷ 110 °C. Presión máxima de trabajo en combinación con el cuerpo de válvula 10bar.

INFORMACION

Certificado Keymark

R470H

CÓDIGO	MEDIDA	€/ud		
R470HX001	-	19,05	1	50



Cabezal termostático de baja inercia, con sensor a líquido. Sistema de anclaje M30 x 1,5mm. Regulación de 8°C a 32°C de temperatura ambiente.

Rango de temperatura en combinación con el cuerpo de válvula 5 ÷ 110 °C.

Presión máxima de trabajo en combinación con el cuerpo de válvula 10bar.

INFORMACION

Certificado Keymark

T470C

CÓDIGO	MEDIDA	€/ud		
T470CX001	-	21,05	1	50



Cabezal termostático de baja inercia, con sensor a líquido. Acabado cromado pulido. Sistema de anclaje CLIP-CLAP.

Regulación de 8°C a 32°C de temperatura ambiente.

Rango de temperatura en combinación con el cuerpo de válvula 5 ÷ 110 °C.

Presión máxima de trabajo en combinación con el cuerpo de válvula 10bar.

INFORMACION

Certificado Keymark

Válvula termostática para radiador – El sello KEYMARK



Keymark es un sello de conformidad europeo propiedad del CEN (Comité Europeo de Normalización), un órgano regulador que tiene como objetivo armonizar y preparar normativas técnicas en Europa (EN), en colaboración con órganos reguladores nacionales y supranacionales, como por ejemplo el ISO. Es un sello voluntario administrado por organizaciones de terceros donde se garantiza que un producto cumple con los requisitos establecidos en las normas europeas. Esto aumenta la confianza en las marcas de los distintos países europeos en la aceptación de un nivel estándar de calidad de los sistemas nacionales de certificación.

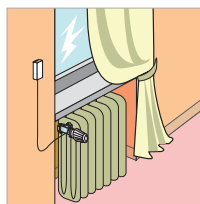
Se propone la Keymark como símbolo de calidad de los productos europeos.

Las garantías que ofrece el sello **Keymark** son importantes:

- Verifica las prestaciones de las válvulas termostáticas para radiador de acuerdo con los estándares europeos.
- Fabricación del producto de acuerdo con los estándares de calidad y con un sistema de gestión de calidad de la empresa (nivel mínimo ISO 9001).
- Inspectores independientes se encargan de recoger muestras de válvulas termostáticas directamente de la producción anual.
- Monitorización regular del producto y del sistema de gestión de la calidad del fabricante.

R462

CÓDIGO	MEDIDA	€/ud		
R462X002	2m	33,40	1	25
R462X005	5m	46,70	1	25

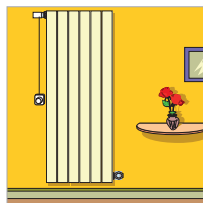


Cabezal termostático con sensor de líquido a distancia. Regulación sobre la válvula.

Regulación de 8°C a 32°C de temperatura ambiente.

R463

CÓDIGO	MEDIDA	€/ud		
R463X002	2m	65,00	1	25
R463X005	5m	81,15	1	25



Cabezal termostático con sensor de líquido a distancia. Regulación a distancia. Regulación de 8°C a 32°C de temperatura ambiente.

K470H

CÓDIGO	MEDIDA	€/ud		
K470HX001	2m	73,90	1	20



Cronotermostato para radiador. Completo de adaptador para instalación sobre cuerpo de válvula Giacomini serie "TG" o "H". Cuatro franjas horarias diarias programables. Puerto serie para programador K471. Alimentación con 2 pilas de 1,5V tipo AA. Grado de protección IP30. Temperatura de trabajo 0 ÷ 50 °C. Temperatura de almacenaje -20 ÷ 70 °C. Conforme a la directiva 2004/108/CE.

R453H

CÓDIGO	MEDIDA	€/ud		
R453HY011	Cabezales	1,44	50	250
R453HY012	Cronos K470H y K470W	1,49	1	250



Adaptador para cabezales termostáticos y cronotermostato K470H de Giacomini con conexión M30 x 1,5mm.

K471

CÓDIGO	MEDIDA	€/ud		
K471X001	-	143,50	1	-



Llave para programación de cronotermostato para radiador (K470H). Conexión USB para PC y Mini-USB para cronotermostato.

R462L

Documentación técnica n. 0215IT

CÓDIGO	MEDIDA	€/ud	□	⊞
R462LX001	2m	45,50	1	25
R462LX011	2m	45,50	1	25
R462LX021	2m	45,95	1	25



Cabezal termostático limitador de temperatura, con sensor de líquido a distancia. Regulación sobre la válvula. Regulación de 20°C a 70°C

NOTAS

R462LX011: Con racor 1/2"
R462LX021: Con vaina y racor 1/2"

R465

CÓDIGO	MEDIDA	€/ud	□	⊞
R465Y001	-	5,45	1	-

Placa soporte para sonda R462L



R454

CÓDIGO	MEDIDA	€/ud	□	⊞
R454Y001	-	1,12	1	-
R454Y002	-	2,30	1	-
R454Y003	-	3,15	1	30

Abrazadera completa de tornillo y tuerca, para cabezal termostático

NOTAS

R454Y001: para cabezales R462, R462L y R463
R454Y002: para cabezales R470 y R468
R454Y003: abrazadera anti-robo para cabezales R470 y R468 (previa extracción del anillo CLIP-CLAP)



R455B

CÓDIGO	MEDIDA	€/ud	□	⊞
R455BY001	-	7,30	1	-

Protección de bloqueo, antirobo y antimanipulación, para cabezal termostático R452



R455C

CÓDIGO	MEDIDA	€/ud	□	⊞
R455CY001	-	6,05	1	100

Protección de bloqueo, antirobo y antimanipulación, para cabezal termostático R470



> ACCESORIOS PARA VÁLVULAS DE RADIADOR

R175A

CÓDIGO	MEDIDA	€/ud	☐	☒
R175AY001	12-18mm	0,70	25	250

Florón simple de plástico para válvulas de base 16.

Para tubos de $\varnothing 12 \div 18$ mm.



R175B

CÓDIGO	MEDIDA	€/ud	☐	☒
R175BY001	12-18mm 35mm	0,85	1	20

Florón doble de plástico para válvulas monotubo y bitubo de base 16.

Separación orificios: 35mm. Para tubos de $\varnothing 12 \div 18$ mm.



R175C

CÓDIGO	MEDIDA	€/ud	☐	☒
R175CY001	12-18mm 50mm	0,85	1	20

Florón doble de plástico para válvulas monotubo y bitubo de base 18.

Separación orificios: 50mm. Para tubos de $\varnothing 12 \div 18$ mm.



T175D

CÓDIGO	MEDIDA	€/ud	☐	☒
T175DX001	12-18mm	2,55	1	25

Florón simple de plástico. Acabado cromado pulido. Para tubo de $\varnothing 12 \div 18$ mm.



T175D-1

CÓDIGO	MEDIDA	€/ud	☐	☒
T175DX011	12-18mm	6,90	1	25

Florón simple de plástico, con cubretubos, para kit de toallero T439L. Acabado cromado lucido.



R171C

Documentación técnica n. 0185IT

CÓDIGO	MEDIDA	€/ud	☐	☒
R171CY001	$\varnothing 11 \times 450$ mm	6,40	1	100
R171CY002	$\varnothing 12 \times 450$ mm	7,30	1	100
R171CY003	$\varnothing 14 \times 450$ mm	7,95	1	100

Sonda de cobre para válvulas monotubo y bitubo. Longitud 450mm.



052

CÓDIGO	MEDIDA	€/ud	☐	☒
052P00052	$\varnothing 12 \times 125$ mm	0,86	1	-

Sonda de plástico para válvulas monotubo y bitubo. Longitud 125mm.



R171P

Documentación técnica n. 0185IT

CÓDIGO	MEDIDA	€/ud	☐	☒
R171PY001	$\varnothing 11 \times 450$ mm	1,22	1	100
R171PY002	$\varnothing 12 \times 450$ mm	1,22	1	100
R171PY003	$\varnothing 14 \times 450$ mm	1,22	1	100

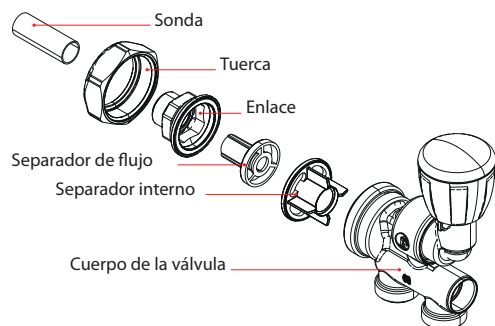
Sonda de plástico para válvulas monotubo y bitubo. Longitud 450mm.



R171F

CÓDIGO	MEDIDA	€/ud	☐	☒
R171FY002	$\varnothing 12 \times 450$ mm	9,20	1	100
R171FY012	$\varnothing 12 \times 200$ mm	5,85	1	200

Sonda de cobre con rosca para válvulas monotubo y bitubo.
Longitud: 450mm



Advertencia.

Solo para los modelos que requieren el uso de la sonda R171C o R171.

Para el correcto funcionamiento, se recomienda instalar la sonda de manera que sobresalga como mínimo 2÷3 mm respecto a los puntos de sujeción, con el fin de evitar mezclas del fluido en el interior de la válvula. Para conseguir un buen rendimiento del radiador, se recomienda la instalación de sondas con una longitud aproximada de 2/3 del propio radiador.



R173

CÓDIGO	MEDIDA	€/ud	□	⊞
R173X002	3/8"	4,15	50	500
R173X007	3/8"	4,65	25	250
R173X003	1/2"	4,10	25	250
R173X004	3/4"	5,25	20	200
R173X005	1"	7,00	10	100
R173X006	1" 1/4	10,40	5	50



Rácor telescópico en latón cromado, con asiento cónico, para válvulas y detentores de la serie Giacotech.

Rango de temperatura 5 ÷ 110 °C.

Presión máxima de trabajo 10bar.

R173P

CÓDIGO	MEDIDA	€/ud	□	⊞
R173PX003	1/2"	4,55	1	-
R173PX004	3/4"	6,25	1	-



Rácor telescópico en latón cromado, con asiento plano.

Rango de temperatura 5 ÷ 110 °C.

Presión máxima de trabajo 10bar.

R173TG

CÓDIGO	MEDIDA	€/ud	□	⊞
R173X032	3/8"	5,90	25	250
R173X037	3/8" valv. de 1/2"x16	6,00	20	200
R173X033	1/2"	6,20	15	150



Rácor telescópico en latón cromado, con autojunta y asiento cónico con tuerca, para válvulas y detentores de la serie Giacotech.

Rango de temperatura 5 ÷ 110 °C.

Presión máxima de trabajo 10bar.

> PURGADORES, DESCARGAS Y TAPONES

R200

CÓDIGO	MEDIDA	€/ud	□	⊞
R200X001	1" Dx	6,55	10	100
R200X002	1" Sx	6,55	10	100
R200X003	1" 1/4 Dx	8,05	5	50
R200X004	1" 1/4 Sx	8,05	5	50



Purgador de aire automático para radiador, en latón cromado. Incluye autojunta y tapón de seguridad.

Rango de temperatura 5 ÷ 110 °C.

Presión máxima de trabajo 10bar.

Presión máxima de purga 7bar.

R66A

CÓDIGO	MEDIDA	€/ud	□	⊞
R66AX000	1/8"	1,28	50	1.000
R66AX001	1/4"	1,65	50	1.000
R66AX002	3/8"	1,85	50	500
R66AX003	1/2"	2,60	25	250



Purgador de aire manual para radiador. Incluye junta.

Rango de temperatura 5 ÷ 95 °C.

Presión máxima de trabajo 10bar.

R90

CÓDIGO	MEDIDA	€/ud	□	⊞
R90X002	3/8"	1,90	1	500
R90X003	1/2"	1,95	1	400



Tapón para radiador en latón cromado. Con purgador manual y autojunta.

Apertura con llave de cuadradillo y posibilidad de rotación de la descarga.

Rango de temperatura 5 ÷ 110 °C.

Presión máxima de trabajo 10bar.

Para la apertura utilizar la llave R74.

R91

CROMADO				
CÓDIGO	MEDIDA	€/ud	□	⊞
R91X003	1/2"	1,48	1	200
NO CROMADO				
CÓDIGO	MEDIDA	€/ud	□	⊞
R91Y003	1/2"	1,40	1	200



Purgador de aire manual con accionamiento por llave de cuadradillo.

R64

CROMADO

CÓDIGO	MEDIDA	€/ud	□	⊞
R64X001	1/4"	2,80	1	50
R64X002	3/8"	3,35	1	25

NO CROMADO

CÓDIGO	MEDIDA	€/ud	□	⊞
R64Y001	1/4"	2,65	1	50
R64Y002	3/8"	3,20	1	25



Grifo de descarga con accionamiento por llave de cuadradillo.

R65D

CÓDIGO	MEDIDA	€/ud	□	⊞
R65DX001	1/4"	3,80	1	20
R65DX002	3/8"	4,35	1	20



Grifo de descarga con accionamiento por llave hexagonal.

R74

CÓDIGO	MEDIDA	€/ud	□	⊞
R74Y001	-	1,70	1	-

Llave de cuadradillo.



R92

CROMADO

CÓDIGO	MEDIDA	€/ud	□	⊞
R92X001	1/4"	0,48	150	1.500
R92X002	3/8"	0,73	100	1.000
R92X003	1/2"	1,07	250	500

NO CROMADO

CÓDIGO	MEDIDA	€/ud	□	⊞
R92Y001	1/4"	0,56	150	1.500
R92Y002	3/8"	0,70	100	1.000
R92Y003	1/2"	0,89	250	500



Tapón para radiador con autojunta.

Rango de temperatura 5 ÷ 110 °C.

Presión máxima de trabajo 10bar.

> TUBERIAS, COLECTORES Y ACCESORIOS

R999

TUBO EN ROLLO

CÓDIGO	MEDIDA	€/m	□	⊞
R999Y122	16x2	1,45	100	-
R999Y123	16x2	1,45	200	-
R999Y124	16x2	1,45	500	-
R999Y142	20x2	2,15	100	-
R999Y143	20x2	2,15	200	-
R999Y173	26x3	4,15	50	-
R999Y183	32x3	6,00	50	-

TUBO EN BARRA

CÓDIGO	MEDIDA	€/m	□	⊞
R999Y125	16x2	1,70	5	120
R999Y145	18x2	2,30	5	120
R999Y174	20x2	4,85	5	50
R999Y184	25x2,5	6,90	5	50



Tubería multicapa PEX-b/Al/PEX-b. Idóneo para instalaciones de agua sanitaria, calefacción y refrescamiento.

Clase de aplicación 1, 2, 4 y 5.

R179AM

CÓDIGO	MEDIDA	€/ud	□	⊞
R179MX014	16x(16x2,0)	2,65	25	250
R179MX015	16x(18x2,0)	3,10	25	250
R179MX020	16x(20x2,0)	3,10	25	250
R179MX024	18x(16x2,0)	2,75	25	250
R179MX025	18x(18x2,0)	3,35	25	250
R179MX026	18x(20x2,0)	3,35	25	250
R179MX040	22x(26x3)	5,20	25	250
R179MX045	28x(32x3)	7,90	10	100

Adaptador para tubo de plástico y multicapa en instalaciones hidráulicas. Conforme a la norma EN 1254-3.

Junta tórica negra conforme a la norma EN 681-1.

Rango de temperatura 5 ÷ 110 °C.

Presión máxima de trabajo 10bar.



R178

CÓDIGO	MEDIDA	€/ud	□	⊞
R178X016	16x15	2,20	25	250
R178X018	16x16	2,20	50	250
R178X034	18x15	2,20	50	250
R178X035	18x16	2,20	50	250
R178X036	18x18	2,20	50	500
R178X042	22x18	3,90	25	250
R178X043	22x22	3,95	25	250

Adaptador para tubo de cobre en instalaciones hidráulicas. Conforme a la norma EN 1254-2.

Junta tórica negra conforme a la norma EN681-1.

Rango de temperatura: 5÷110 °C

Presión máxima de trabajo: 10 bar

NOTAS

ATENCIÓN! Se recomienda no apretar más de 1/8 de vuelta con la llave, una vez apretada la tuerca a tope con la mano.

Un apriete excesivo de la tuerca puede dañar los componentes de la unión.



T179M

CÓDIGO	MEDIDA	€/ud	□	⊞
T179MX009	16x(16x2)	6,00	1	10

Adaptador cromado pulido para tubo multicapa y plástico.

Conforme a la norma EN 1254-3.

Junta tórica negra conforme a norma EN 681-1.

Válido para instalaciones hidráulicas.

Rango de temperatura 5 ÷ 110 °C.

Presión máxima de trabajo 10bar.



T178C

CÓDIGO	MEDIDA	€/ud	□	⊞
T178CX016	16x15	3,60	1	15
T178CX018	16x16	3,60	1	15

Adaptador cromado pulido para tubo de cobre en instalaciones hidráulicas. Conforme a la norma EN 1254-2.

Junta tórica negra conforme a la norma EN681-1.

Rango de temperatura: 5÷110 °C

Presión máxima de trabajo: 10 bar

NOTAS

ATENCIÓN! Se recomienda no apretar más de 1/8 de vuelta con la llave, una vez apretada la tuerca a tope con la mano.

Un apriete excesivo de la tuerca puede dañar los componentes de la unión.



R179

CÓDIGO	MEDIDA	€/ud	□	⊞
R179X104	22x(25x2,5)	4,80	10	100

Adaptador para tubo de plástico (para medidas no disponibles en la serie R179AM) en instalaciones hidráulicas. Conforme a la norma EN 1254-3.

Junta tórica negra conforme a la norma EN 681-1.

Rango de temperatura 5 ÷ 110 °C.

Presión máxima de trabajo 10bar.



021P

CÓDIGO	MEDIDA	€/ud	□	⊞
021P15278	-	0,11	1	-

Anillo dielectrico para adaptar R179X104 a tubo multicapa.



R131

CÓDIGO	MEDIDA	€/ud	□	⊞
R131Y003	27/29	27,60	1	-
R131Y004	29/30	34,10	1	-

Llave fija para adaptadores.

NOTAS

Llave de 27 para base 16.

Llave de 29 para base 18.



R585

CÓDIGO	MEDIDA	€/ud	□	⊞
R585Y022	3/4"x16 /2	18,00	1	10
R585Y023	3/4"x16 /3	25,00	1	10
R585Y024	3/4"x16 /4	32,35	1	10
R585Y025	3/4"x16 /5	39,75	1	5
R585Y026	3/4"x16 /6	47,20	1	5
R585Y027	3/4"x16 /7	54,40	1	10
R585Y028	3/4"x16 /8	61,70	1	10
R585Y029	3/4"x16 /9	71,90	1	10
R585Y030	3/4"x16 /10	79,70	1	10
R585Y042	1"x16 /2	22,90	1	15
R585Y043	1"x16 /3	32,50	1	10
R585Y044	1"x16 /4	39,85	1	10
R585Y045	1"x16 /5	49,35	1	5
R585Y046	1"x16 /6	62,80	1	5
R585Y047	1"x16 /7	67,75	1	5
R585Y048	1"x16 /8	77,85	1	5
R585Y049	1"x16 /9	87,20	1	5
R585Y050	1"x16 /10	96,80	1	5



Colector de distribución en latón con detentor y conexión para adaptador de tubo de cobre, plástico o multicapa.

Rango de temperatura $5 \div 110$ °C.
Presión máxima de trabajo 10bar.

NOTAS

Separación entre salidas: 35mm

Conexión de tubería con adaptadores R178, R179 o R179AM.

R259D

NO CROMADA

CÓDIGO	MEDIDA	€/ud	□	⊞
R259Y005	3/4"x3/4" - Palomilla roja	14,70	10	20
R259Y007	1"x1" - Palomilla roja	21,90	10	20



Válvula de esfera cromada con conexión hembra-macho, con enlace. Accionamiento por palomilla (azul o roja). Paso estándar. Válida para instalaciones hidráulicas.

Rango de temperatura $-20 \div 185$ °C.

NOTAS

Para versión no cromada: disponible con palomilla roja o azul.

Verificar la aplicación real de la válvula y las certificaciones de la misma consultando la documentación técnica específica.

R592D

NO CROMADO

CÓDIGO	MEDIDA	€/ud	□	⊞
R592DY004	3/4"	2,20	50	500
R592DY005	1"	2,65	25	250



Tapón terminal para colector, en latón, con autojunta.

R584

CÓDIGO	MEDIDA	€/ud	□	⊞
R584Y101	332x272x86	34,20	1	-
R584Y102	412x272x86	38,00	1	-
R584Y103	512x272x86	51,75	1	-
R584Y104	612x272x86	61,55	1	-



Caja de plástico con tapa. Completa de Kit de sujeción de colectores.

Válida para colectores de 3/4" o 1" de la serie R580, R551, R580C, R585C, modulares DN25 y R587B.

R180R

CROMADO

CÓDIGO	MEDIDA	€/ud	□	⊞
R180RX015	1/2" x 16	1,65	50	500
R180RX016	1/2" x 18	1,70	25	250

NO CROMADO

CÓDIGO	MEDIDA	€/ud	□	⊞
R180RY007	3/8" x 16	1,49	50	500
R180RY015	1/2" x 16	1,30	50	500
R180RY016	1/2" x 18	1,49	25	250
R180RY020	3/4" x 16	1,80	25	250
R180RY021	3/4" x 18	1,85	25	250
R180RY023	3/4" x 22	2,50	25	250
R180RY027	1" x 22	3,35	20	200
R180RY028	1" x 28	4,40	10	100
R180RY034	1" 1/4 x 28	4,80	10	100

Racor recto macho, en latón, para adaptadores de tubo de cobre, plástico o multicapa.



R180FR

CROMADO

CÓDIGO	MEDIDA	€/ud	□	⊞
R180RX055	1/2" x 16	1,65	50	500
R180RX056	1/2" x 18	1,95	50	500

NO CROMADO

CÓDIGO	MEDIDA	€/ud	□	⊞
R180RY055	1/2" x 16	1,25	50	500
R180RY056	1/2" x 18	1,50	50	500
R180RY060	3/4" x 16	1,80	25	250
R180RY061	3/4" x 18	1,85	25	250
R180RY063	3/4" x 22	2,30	25	250
R180RY068	1" x 28	4,90	10	100

Racor recto hembra, en latón, para adaptadores de tubo de cobre, plástico o multicapa.



R560R

CROMADO

CÓDIGO	MEDIDA	€/ud	□	⊞
R560RX007	base 16	1,85	25	250
R560RX008	base 18	2,05	25	250

NO CROMADO

CÓDIGO	MEDIDA	€/ud	□	⊞
R560RY007	base 16	1,60	25	250
R560RY008	base 18	1,90	25	250
R560RY009	base 22	3,05	20	200
R560RY010	base 28	5,00	10	100

Manguito recto, en latón, para adaptadores de tubo de cobre, plástico o multicapa.



R561R

CROMADO

CÓDIGO	MEDIDA	€/ud	□	⊞
R561RX007	base 16	2,30	25	250
R561RX008	base 18	2,60	25	250

NO CROMADO

CÓDIGO	MEDIDA	€/ud	□	⊞
R561RY007	base 16	1,95	25	250
R561RY008	base 18	2,15	25	250
R561RY009	base 22	3,35	10	100
R561RY010	base 28	5,15	10	100

Codo 90° para adaptadores de tubo de cobre, plástico o multicapa.



R564R

CROMADO

CÓDIGO	MEDIDA	€/ud	□	⊞
R564RX007	base 16	2,80	25	250
R564RX008	base 18	3,25	25	250

NO CROMADO

CÓDIGO	MEDIDA	€/ud	□	⊞
R564RY007	base 16	2,40	25	250
R564RY008	base 18	3,25	25	250
R564RY009	base 22	4,15	10	100
R564RY010	base 28	7,65	5	50

Te con conexión para adaptadores de tubo de cobre, plástico o multicapa.



R831

CÓDIGO	MEDIDA	€/ud	□	⊞
R831Y001	-	26,50	1	-
R831Y002	-	22,85	1	-

Aditivo de protección y anticorrosivo para instalaciones de calefacción



> RECAMBIOS

P16-1

CÓDIGO	MEDIDA	€/ud	□	⊞
P16Y001	-	0,51	1	-

Separador de flujo en plástico para válvulas de la serie R356B1, R356M1, R357B1, R357M1, R358B1 y R358M1.



P16-2

CÓDIGO	MEDIDA	€/ud	□	⊞
P16Y002	-	0,52	1	-

Separador de flujo en plástico para válvulas de la serie R356B, R356M, R357B, R357M, R358B y R358M.



P16-3

CÓDIGO	MEDIDA	€/ud	□	⊞
P16Y003	-	0,51	1	-

Separador de flujo en plástico para válvulas de la serie R440N, R437 y R437N.



P16-5

CÓDIGO	MEDIDA	€/ud	□	⊞
P16Y005	1/2"-3/4"-1"	0,54	1	-

Separador de flujo en plástico para válvula de la serie R324N.



P16-6

CÓDIGO	MEDIDA	€/ud	□	⊞
P16Y008	1/2"-3/4"-1"	0,54	1	-

Separador de flujo en plástico para válvula de la serie R304T.



016P

CÓDIGO	MEDIDA	€/ud	□	⊞
016P00434	-	0,43	1	-

Separador de flujo en plástico para válvula de la serie R314N.



P16S

CÓDIGO	MEDIDA	€/ud	□	⊞
P16SY001	-	0,54	1	-
P16SY002	-	0,54	1	-
P16SY003	-	0,54	1	-

Portasonda de plástico para válvulas de la serie R324N y R304T.



P15TG

CÓDIGO	MEDIDA	€/ud	□	⊞
P15TGX002	3/8"	2,35	1	-
P15TGX003	1/2" x 3/8"	2,55	1	-
P15TGX004	1/2"	2,75	1	-
P15TGX043	1/2"	3,80	1	-
P15TGX044	1/2"	5,10	1	-
P15TGX045	1/2"	5,10	1	-

Enlace cromado con autojunta para válvula y detentor Giacotech.



NOTAS

P15TGX002: Para versión con conexión a tubo de hierro.

P15TGX003: Para versión con conexión a adaptador 3/8"x16.

P15TGX004: Para versión con conexión a adaptador 1/2"x16, 1/2"x18 o a tubo de hierro 1/2".

P15TGX043: Para válvulas R437, R437N y R440N.

P15TGX044: Para válvulas R356B1, R356M1, R357B1, R357M1, R358B1 Y R358M1. (Versión anterior)

P15TGX045: Para válvulas R356B1, R356M1, R357B1, R357M1, R358B1 Y R358M1.

T15TG

CÓDIGO	MEDIDA	€/ud	□	⊞
T15TGX004	1/2"	6,65	1	25

Enlace cromado pulido con autojunta para válvula y detentor Giacotech.

Rango de temperatura 5 ÷ 110 °C.

Presión máxima de trabajo 10bar.



P15-2

CÓDIGO	MEDIDA	€/ud	□	⊞
P15X002	3/8"	1,19	1	-
P15X003	1/2"	1,55	1	-
P15X004	3/4"	2,10	1	-
P15X005	1"	3,20	1	-
P15X006	1" 1/4	5,10	1	-

Enlace para válvulas y detentores.



P15-7

CÓDIGO	MEDIDA	€/ud	□	⊞
P15X033	1/2"	1,85	1	-
P15X034	3/4"	2,60	1	-
P15X035	1" Dx	3,05	1	-
P15X036	1" Sx	3,05	1	-

Enlace para válvula de cuatro vías R324N y R304T.



P18L

CÓDIGO	MEDIDA	€/ud	□	⊞
P18LX002	5/8"x3/8"	1,07	1	-
P18LX003	3/4"x1/2"	1,12	1	-
P18LX004	1"x3/4"	1,90	1	-
P18LX005	1" 1/4x1"	2,35	1	-
P18LX006	1 1/2"x1 1/4"	3,25	1	-
P18LX013	R437-R440	1,14	1	-
P18LX023	R356/R357/R358	0,96	1	-

Tuerca cromada para enlaces



R450TG

CÓDIGO	MEDIDA	€/ud	□	⊞
R450X012	-	1,70	1	-

Volante blanco con regulación micrométrica para válvulas termostatzables serie Giacotech.



R450

CÓDIGO	MEDIDA	€/ud	□	⊞
R450X001	-	1,70	1	-

Volante blanco con regulación micrométrica para válvulas termostatables serie Giacotech o colectores modelo R553V.



T450C

CÓDIGO	MEDIDA	€/ud	□	⊞
T450CX012	-	2,35	1	-

Volante color cromado pulido con regulación micrométrica para válvulas T431C, T432C, T357M, T358M, T358B y T358M.



T450L

CÓDIGO	MEDIDA	€/ud	□	⊞
T450LX001	T439L	3,65	1	-
T450LX002	T439L	4,85	1	-

Volante color cromado pulido para válvulas de kit T439L.



P22B

CÓDIGO	MEDIDA	€/ud	□	⊞
P22BY013	R707E	0,58	1	-

Volante blanco para válvula R707E.



P22B-1

CÓDIGO	MEDIDA	€/ud	□	⊞
P22BY007	3/8"-1/2"	1,02	1	-
P22BY008	3/4"-1"	1,65	1	-
P22BY009	1" 1/4	1,95	1	-

Volante blanco para válvulas R5TG, R6TG, R25TG y R27TG.



T22C

CÓDIGO	MEDIDA	€/ud	□	⊞
T22CX007	-	2,45	1	-

Volante color cromado pulido para válvulas T25C y T27C.



P26A

CÓDIGO	MEDIDA	€/ud	□	⊞
P26AX004	3/4"	1,26	1	-
P26AX005	1"	2,55	1	-
P26AX006	1" 1/4	3,35	1	-

Tapón cromado para detectores R14TG, R15TG, R29TG y R31TG.



P26B

CÓDIGO	MEDIDA	€/ud	□	⊞
P26BX001	-	0,85	1	-

Tapón cromado para detectores R714TG y R715TG.



P26PD

CÓDIGO	MEDIDA	€/ud	□	⊞
P26PY012	3/8"	0,69	1	-
P26PY013	1/2"	0,76	1	-

Tapón de plástico blanco para detectores.



T26C

CÓDIGO	MEDIDA	€/ud	□	⊞
T26CX003	1/2"	4,10	1	-

Tapón cromado pulido para detectores T29C y T31C.



R178R

CROMADAS

CÓDIGO	MEDIDA	€/ud	□	⊞
R178RX011	16x18	3,25	1	250
R178RX012	18x22	4,45	1	250

NO CROMADAS

CÓDIGO	MEDIDA	€/ud	□	⊞
R178RY011	16x18	3,25	1	250
R178RY012	18x22	4,30	1	250

Racor recto para aumentar la base de adaptador de tubo de cobre, plástico o multicapa.



R177

CÓDIGO	MEDIDA	€/ud	□	⊞
R177X010	16x1/2"	4,40	25	250

Racor para transformar "base para adaptador" a conexión a "tubo de hierro", en latón cromado.



R176P

CÓDIGO	MEDIDA	€/ud	□	⊞
R176PX003	16x16	3,60	25	250
R176PX004	18x18	4,10	25	250

Racor prolongador base adaptador, acabado cromado, con tuerca loca. Conexión para adaptador de tubo de cobre, plástico o multicapa.

Longitud 30mm.

Rango de temperatura 5 ÷ 110 °C.

Presión máxima de trabajo 10bar.



> HERRAMIENTAS

R400

CÓDIGO	MEDIDA	€/ud	□	⊞
R400Y001	-	53,40	1	-

Válvula (llave) para sustitución de monturas en válvulas termostaticables, sin necesidad de vaciar la instalación.



R453

CÓDIGO	MEDIDA	€/ud	□	⊞
R453Y001	-	1,00	1	100

Anillo para fijación de válvula de sustitución de monturas R400 sobre válvulas termostaticables o colectores.



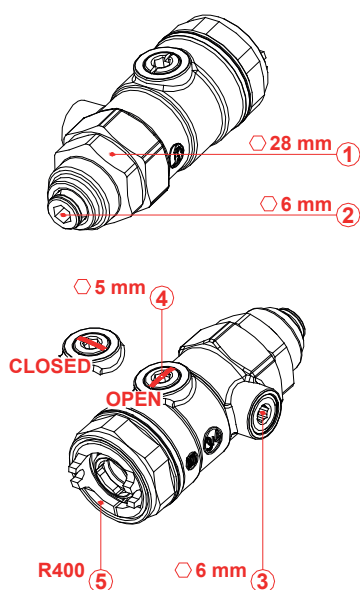
P12A

CÓDIGO	MEDIDA	€/ud	□	⊞
P12AX011	3/8"-1/2"-3/4"-R553V	2,65	1	-
P12AX003	1"	6,25	1	-
P12AX004	R356/R357/R358/R304T/R437/R437N/	2,65	1	-
P12AX006	3/8 -1/2-3/4 PTG	7,15	1	50

Montura para válvula termostaticable.



Procedimiento de sustitución de llas monturas con la válvula R400



La válvula R400 permite la sustitución de la montura P12A sin tener que vaciar el sistema, efectuando las siguientes operaciones:

1. Extraer el volante de obra, el volante manual o el cabezal termostático del cuerpo del elemento de regulación.
2. Apretar la tapa (1) con una llave fija de 28 mm. asegurándose de que el eje (2) está completamente extraído; cerrar completamente el detentor lateral (3) y abrir la válvula de esfera haciendo girar por completo el eje superior (4), utilizando siempre una llave Allen de 5 mm.
3. Roscar la válvula al anillo de plástico, previamente acoplada con los pasadores de referencia en el cuerpo de la válvula. El aislamiento hidráulico está asegurado por la junta de goma con un simple apriete manual.
4. Insertar el eje (2) hasta el tope y a continuación, utilizando una llave Allen de 6 mm., girar en sentido horario manteniendo la presión, asegurando la unión entre el eje y el cuadrado de la montura.
5. Extraer la montura girando la varilla (2) en sentido antihorario y poniendo atención en mantener el enganche; la liberación inicial requiere de una fuerza muy elevada, puesto que se trata de una unión metal-metal; cuando aflojamos la montura, por último, se sigue utilizando el eje para extraerlo, notando la presión ejercida por el agua en el interior del circuito.
6. Girar la esfera de la válvula (4) y abrir completamente el detentor lateral de descarga (3), utilizando siempre una llave Allen de 5 mm., para descargar la presión del agua en el interior de la válvula.
7. Destornillar la cubierta con una llave fija de 28 mm. y extraerlo del cuerpo de la válvula: extraer la montura del eje e insertar una nueva.
8. Apretar la tapa (1) con una llave fija de 28 mm; cerrar completamente el detentor lateral de salida (3) y abrir la esfera de la válvula girando el vástago (4), utilizando siempre una llave Allen de 5 mm.
9. Ensamblar la montura nueva insertando el eje hasta el tope y sucesivamente, utilizando una llave Allen de 6 mm. apretando firmemente.
10. Abrir completamente el detentor lateral de salida (3), utilizando una llave Allen de 6 mm., para extraer el agua del interior de la válvula.
11. Desenroscar la válvula del anillo de plástico (5), que posteriormente deberá ser desacoplado de los pasadores del cuerpo del elemento de regulación.
12. Montar el volante de obra, el cabezal manual o el actuador termostático del cuerpo del elemento de regulación.

N.B. Para un correcto mantenimiento de la válvula R400 lubricar periódicamente las juntas y el eje (2) con productos a base de silicona

R79B

CÓDIGO	MEDIDA	€/ud	□	⊞
R79BY001	3/8"-1/2"-3/4"-1"	66,45	1	25

Llave universal para enlaces de 3/8" a 1 1/4"

**H201**

CÓDIGO	MEDIDA	€/ud	□	⊞
H201Y001	0-40	83,60	1	-

Tijera cortatubos para tubos de hasta Ø40mm.

**R73C**

CÓDIGO	MEDIDA	€/ud	□	⊞
R73CY004	4 - R455C	4,75	1	-
R73CY014	R454Y003	19,85	1	100

Llave torx, especial para instalación de dispositivos de protección.

**RP205**

CÓDIGO	MEDIDA	€/ud	□	⊞
RP205Y001	0-20	86,55	1	-

Desbarbador interior para tubo de plástico y multicapa de 0-20mm.

**R131**

CÓDIGO	MEDIDA	€/ud	□	⊞
R131Y003	27/29	27,60	1	-
R131Y004	29/30	34,10	1	-

Llave fija para adaptadores.

**NOTAS**

Llave de 27 para base 16.
Llave de 29 para base 18.

RP208

CÓDIGO	MEDIDA	€/ud	□	⊞
RP208Y016	16x2	9,80	1	-
RP208Y020	20x2	11,90	1	-

Muelle curvatubo en acero, para interior del tubo.

**RP209**

CÓDIGO	MEDIDA	€/ud	□	⊞
RP209Y001	14x2 a 20x2	66,05	1	5
RP209Y002	26x2 a 32x3	81,10	1	5
RP209Y003	40X3,5-50X4-63X4,5	157,10	1	-

Calibrador y desbarbador interno para tubo multicapa.



DATOS TÉCNICOS Y DIMENSIONES

En las tablas solo se muestran los valores dimensionales expresados en [mm]

Válvulas micrométricas termostatazables

Líquido: **agua caliente**

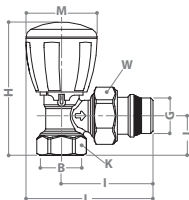
Rango de temperatura: **5÷110 °C**

Presión máxima de ejercicio para instalaciones con regulación manual: **16 bar**

Presión máxima de ejercicio en instalaciones con cabezales termostáticos: **10 bar**

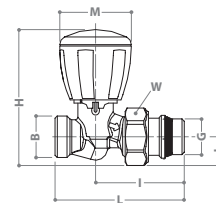
R421TG

CÓDIGO	GxB	H	I	J	K	L	M	W
R421X132	3/8"x3/8"	74	51	20	22	72	42	27
R421X133	1/2"x1/2"	78	53	23	26	74	42	30
R421FX004	3/4"x3/4"	87	58	26	32	76	42	38
R421X034	3/4"x3/4"	79	60	25	32	81	42	38
R421X035	1"x1"	97	72	31	39	94	42	46



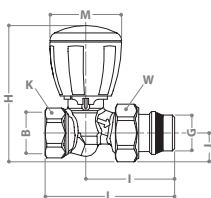
R432TG

CÓDIGO	GxB	H	I	J	L	M	W
R432X032	3/8"x16	79	51	17	74	42	30
R432X033	1/2"x16	79	51	17	75	42	30
R432X034	1/2"x18	79	51	17	76	42	30



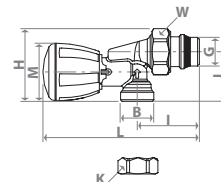
R422TG

CÓDIGO	GxB	H	I	J	K	L	M	W
R422X132	3/8"x3/8"	77	54	15	22	76	42	27
R422X133	1/2"x1/2"	79	55	17	26	82	42	30
R422FX004	3/4"x3/4"	89	61	22	32	93	42	38
R422X034	3/4"x3/4"	83	55	21	32	81	42	38
R422X035	1"x1"	95	64	26	39	105	42	46



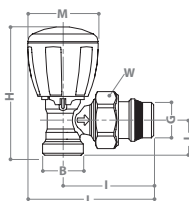
R435TG

CÓDIGO	GxB	H	I	J	K	L	M	W
R435X053	1/2"x1/2"*	53	53	36	25	121	42	30
R435X062	1/2"x16	53	45	36	-	113	42	30
R435X043	1/2"x18	53	45	37	-	113	42	30



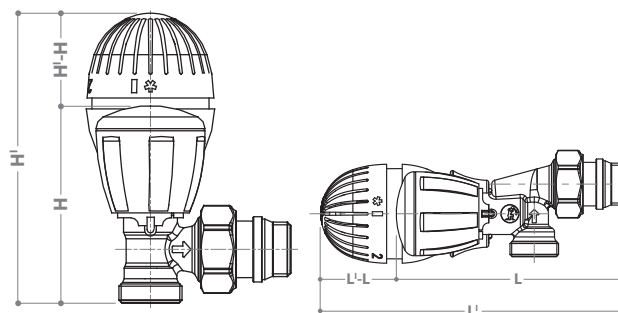
R431TG

CÓDIGO	GxB	H	I	J	L	M	W
R431X032	3/8"x16	75	53	21	74	42	30
R431X033	1/2"x16	75	53	21	74	42	30
R431X034	1/2"x18	75	53	21	74	42	30
R431EX037	1/2"x3/4"E	75	53	21	74	42	30



Medidas con instalación del cabezal termostático

MODELO	R460X001	R470X001	R468CX001	R468X001
H'-H	53 mm	35 mm	63 mm	52 mm
L'-L para R435	53 mm	35 mm	63 mm	52 mm



Válvulas termostaticas con y sin pre-regulación

Líquido: agua caliente

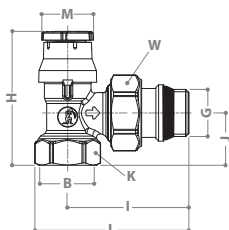
Rango de temperatura: 5÷110 °C

Presión máxima de ejercicio para instalaciones con regulación manual: 16 bar

Presión máxima de ejercicio en instalaciones con cabezales termostáticos: 10 bar

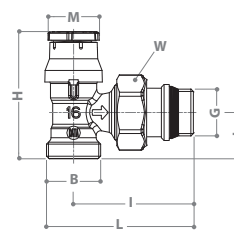
R401TG-R401PTG

CÓDIGO	GxB	H	I	J	K	L	M	W
R401X132	3/8"x3/8"	55	51	20	22	64	23	27
R401X133	1/2"x1/2"	59	53	23	26	68	23	30
R401FX004	3/4"x3/4"	68	62	26	32	765	23	38
R401X034	3/4"x3/4"	60	60	25	32	78	23	38
R401X035	1"x1"	78	72	31	39	94	23	46
R401PX232	3/8"x3/8"	55	51	20	22	64	23	27
R401PX233	1/2"x1/2"	59	53	23	26	68	23	30
R401PX234	3/4"x3/4"	68	62	26	32	765	23	38



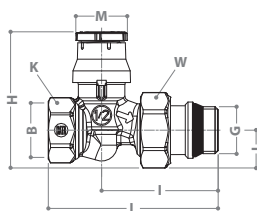
R411TG-R411PTG

CÓDIGO	GxB	H	I	J	L	M	W
R411X032	3/8"x16	56	53	21	66	23	30
R411X033	1/2"x16	56	53	21	66	23	30
R411X034	1/2"x18	56	53	21	66	23	30
R411PX232	3/8"x16	56	53	21	66	23	30
R411PX233	1/2"x16	56	53	21	66	23	30



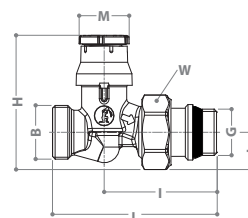
R402TG-R402PTG

CÓDIGO	GxB	H	I	J	K	L	M	W
R402X132	3/8"x3/8"	58	54	15	22	76	23	27
R402X133	1/2"x1/2"	60	55	17	26	82	23	30
R402FX004	3/4"x3/4"	70	61	22	32	97	23	38
R402X034	3/4"x3/4"	64	55	21	32	81	23	38
R402X035	1"x1"	76	64	26	39	105	23	46
R402PX232	3/8"x3/8"	58	54	15	22	76	23	27
R402PX233	1/2"x1/2"	60	55	17	26	82	23	30
R402PX234	3/4"x3/4"	70	61	22	32	97	23	38



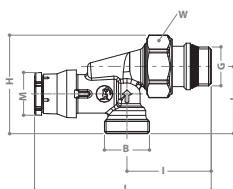
R412TG-R412PTG

CÓDIGO	GxB	H	I	J	L	M	W
R412X032	3/8"x16	60	51	17	74	23	30
R412X033	1/2"x16	60	51	17	75	23	30
R412X034	1/2"x18	60	51	17	76	23	30
R412PX232	3/8"x16	60	51	17	74	23	30
R412PX0233	1/2"x16	60	51	17	75	23	30



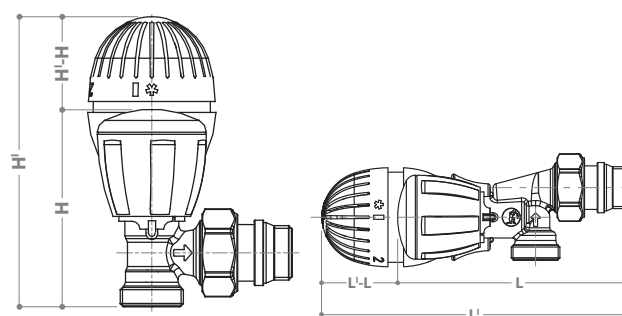
R415PTG

CÓDIGO	GxB	H	I	J	K	L	M	W
R415PX242	1/2"x16	53	45	36	-	113	42	30



Medidas con instalación del cabezal termostático

MODELO	R460X001	R470X001	R468CX001	R468X001
H'-H	71 mm	54 mm	81 mm	71 mm
L'-L para R435	71 mm	54 mm	81 mm	71 mm
L'-L para R415PTG	53 mm	35 mm	63 mm	52 mm



Válvulas manuales - detentores

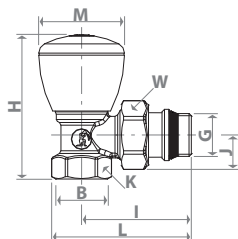
Líquido: agua caliente

Rango de temperatura: 5÷110 °C

Presión máxima de ejercicio para instalaciones con regulación manual: 16 bar

R5TG

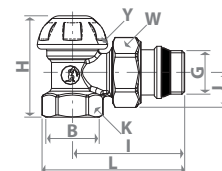
CÓDIGO	GxB	H	I	J	K	L	M	W
R5X032	3/8"x3/8"	65	50	19	22	71	42	27
R5X033	1/2"x1/2"	70	53	21	26	74	42	30
R5X034	3/4"x3/4"	79	60	23	32	84	49	38
R5X035	1"x1"	87	68	30	39	92	49	46



R14TG

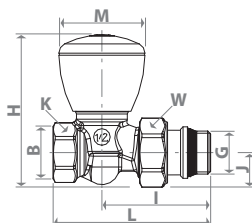
CÓDIGO	GxB	H	I	J	K	L	Y	W
R14X032	3/8"x3/8"	43	50	19	22	66	-	27
R14X033	1/2"x1/2"	47	53	21	26	70	-	30
R14X034*	3/4"x3/4"	54	60	23	32	79	35	38
R14X035*	1"x1"	72	68	30	39	90	40	46
R14X036*	1 1/4"x1 1/4"	80	80	34	49	108	45	53

* Capuchón acabado de latón



R6TG

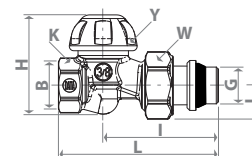
CÓDIGO	GxB	H	I	J	K	L	M	W
R6X032	3/8"x3/8"	69	56	15	22	76	42	27
R6X033	1/2"x1/2"	73	60	17	26	83	42	30
R6X034	3/4"x3/4"	86	55	21	32	81	49	38
R6X035	1"x1"	93	69	26	39	106	49	46



R15TG

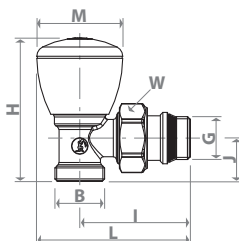
CÓDIGO	GxB	H	I	J	K	L	Y	W
R15X032	3/8"x3/8"	47	56	15	22	76	-	27
R15X033	1/2"x1/2"	51	60	17	26	83	-	30
R15X034*	3/4"x3/4"	62	55	21	32	81	35	38
R15X035*	1"x1"	78	69	26	39	106	40	46
R15X036*	1 1/4"x1 1/4"	86	78	30	49	119	45	53

* Capuchón acabado de latón



R25TG

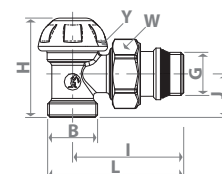
CÓDIGO	GxB	H	I	J	L	Y	W
R25X032	3/8"x16	69	53	21	74	42	30
R25X033	1/2"x16	69	53	21	74	42	30
R25X034	1/2"x18	73	54	24	75	42	30
R25X033	3/4"x18	79	60	24	84	49	38
R25X036	3/4"x22	79	60	24	84	49	38



R29TG

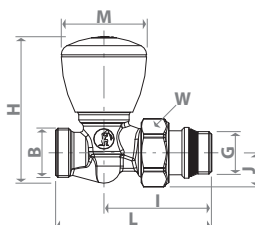
CÓDIGO	GxB	H	I	J	L	Y	W
R29X032	3/8"x16	47	53	21	70	-	30
R29X033	1/2"x16	47	53	21	70	-	30
R29X034	1/2"x18	50	54	24	71	-	30
R29X035*	3/4"x18	54	60	24	79	35	38
R29X036*	3/4"x22	61	60	31	79	35	38

* Capuchón acabado de latón



R27TG

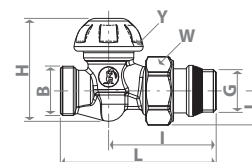
CODICE	GxB	H	I	J	L	Y	W
R27X032	3/8"x16	73	52	17	75	42	30
R27X033	1/2"x16	73	52	17	76	42	30
R27X034	1/2"x18	73	52	17	77	42	30
R27X033	3/4"x18	87	55	21	81	49	38
R27X036	3/4"x22	87	55	21	91	49	38



R31TG

CODICE	GxB	H	I	J	L	Y	W
R31X032	3/8"x16	51	52	17	75	-	30
R31X033	1/2"x16	51	52	17	76	-	30
R31X034	1/2"x18	51	52	17	77	-	30
R31X035*	3/4"x18	62	54	21	80	35	38
R31X036*	3/4"x22	62	54	21	84	35	38

* Capuchón acabado de latón



Válvulas monotubo y bitubo

Líquido: agua caliente

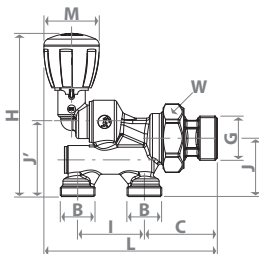
Rango de temperatura: 5÷110 °C

Presión máxima de ejercicio: 10 bar

Percentual de alimentación al radiador en versión monotubo: 47% con cabezal manual, 33% con cabezal termostático

R304T

CÓDIGO	GxB	I	J	J'	L	C	H	M	W	Ø
R304TX011	1/2"x16	35	38	50	115	51	116	42	46	11
R304TX012	1/2"x18	50	44	56	125	51	122	42	46	11
R304TX013	3/4"x16	35	38	50	116	53	116	42	46	12
R304TX014	3/4"x18	50	44	56	126	53	122	42	46	12
R304TX015	1"dx16	35	38	50	118	53	116	42	46	14
R304TX016	1"sx16	35	38	50	118	53	116	42	46	14
R304TX017	1"dx18	50	44	56	128	53	122	42	46	14
R304TX018	1"sx18	50	44	56	128	53	122	42	46	14

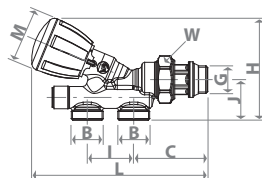


Rango de temperatura: 5÷110 °C

Presión máxima de ejercicio: 10 bar

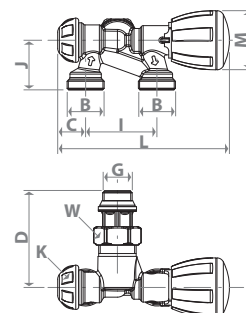
R440N

CÓDIGO	GxB	I	H	J	L	C	M	W
R440NX032	1/2"x16	35	77	31	133	56	42	32



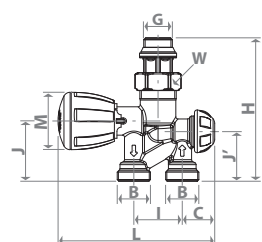
R357B1

CÓDIGO	GxB	I	J	L	C	D	M	K	W
R357BX062	1/2"x18	50	35	123	22	68	42	30	30



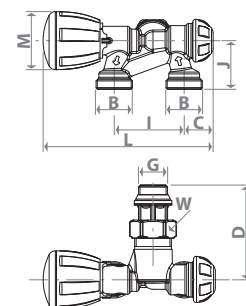
R356B1

CÓDIGO	GxB	I	J	J'	L	C	H	M	K	W
R356BX041	1/2"x16	35	44	36	115	25	104	42	27	30
R356BX062	1/2"x18	50	43	35	117	22	103	42	30	30



R358B1

CÓDIGO	GxB	I	J	L	C	D	M	K	W
R358BX062	1/2"x18	50	35	123	22	68	42	30	30



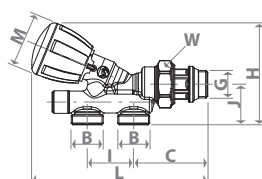
Rango de temperatura: 5÷110 °C

Presión máxima de ejercicio: 10 bar

Percentual de alimentación al radiador: 50% con cabezal manual, 35% con cabezal termostático

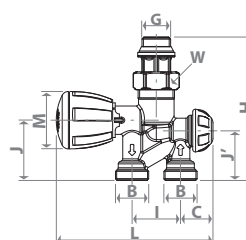
R437N

CÓDIGO	GxB	I	H	J	L	C	M	W
R437NX031	1/2"x16	35	77	31	133	56	42	32



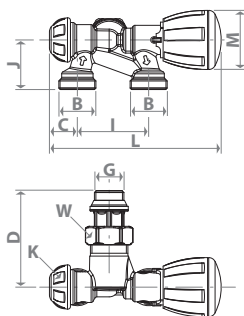
R356M1

CÓDIGO	GxB	I	J	J'	L	C	H	M	K
R356MX061	1/2"x16	35	44	36	115	25	104	42	27
R356MX062	1/2"x18	50	43	35	117	22	103	42	30



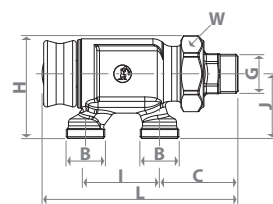
R357M1

CÓDIGO	GxB	I	J	L	C	D	M	K	W
T357MX011	1/2"x16	35	33	126	30	68	42	30	30
R357MX062	1/2"x18	50	35	123	22	68	42	30	30



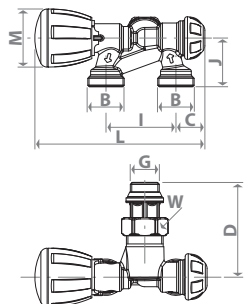
R324N

CÓDIGO	GxB	I	J	L1	C	S	M	K
R324NX011	1/2"x16	35	38	64	126	52	46	11
R324NX012	1/2"x18	50	44	69	131	52	46	11
R324NX013	3/4"x16	35	38	64	127	53	46	12
R324NX014	3/4"x18	50	44	69	132	53	46	12
R324NX015	1"sx x16	35	38	64	129	55	46	14
R324NX016	1"sx x18	50	44	69	134	55	46	14
R324NX017	1"dx x16	35	38	64	129	55	46	14
R324NX018	1"dx x18	50	44	69	134	55	46	14



R358M1

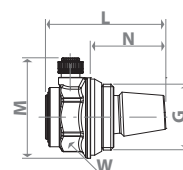
CÓDIGO	GxB	I	J	L	C	D	M	K	W
T358MX011	1/2"x16	35	33	126	30	68	42	30	30
R358MX062	1/2"x18	50	35	123	22	68	42	30	30



R200

CÓDIGO	GxB	L	M	N	W
R200X001	1"dx	60	50	37	31
R200X002	1"sx	60	50	37	31
R200X003	1 1/4"dx	60	62	35	31
R200X004	1 1/4"sx	60	62	35	31

NOTA: rango de temperatura 5÷120 °C
 presión máxima de trabajo 14 bar
 presión máxima de purga 7 bar





A piece of life



GIACOMINI SPYDER, PARA INSTALACIONES DE SUELO RADIANTE

EL SISTEMA RADIANTE, FÁCIL DE INSTALAR, INCLUSO EN REHABILITACIONES



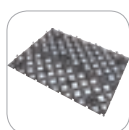
Una solución flexible, práctica e innovadora que entra a formar parte de la gamma Giacomini, un mundo hecho mediante investigación e innovación.

Gestión de la energía, sistemas radiantes, distribución de agua sanitaria y gas, energías renovables y antincendios.

Miles de productos para hacer de tu día a día, siempre único. *Giacomini, a piece of life.*

Sistemas radiantes

> Sistema klima new building	46
> Sistema klima renew	48
> Sistema klima dry	50
> Sistema klima eco	52
> Tuberías y accesorios	53
> Colectores	55
> Cabezales electrotérmicos	61
> Válvulas de zona	62
> Cajas colector	63
> Sistema Klimawall	64
> Techo radiante en cartón yeso	68
> Techo radiante en cartón yeso - Tubo y accesorios	70
> Techo radiante metálico serie GK	71
> Techo radiante metálico serie GK PSV	73
> Techo radiante metálico serie GK y PSV - Tubo y accesorios	75
> Techo radiante - Colectores	76
> Regulación Stand-alone	80
> Regulación Klimabus	82
> Regulación klimadomotic	85
> Regulación wireless (solo calefacción)	87
> Deshumidificadores/Máquinas de tratamiento del aire	89
> Grupos hidráulicos	92
> Separadores hidráulicos y desfangadores	98
> Recambios para grupo hidráulico	103



> SISTEMAS DE SUELO RADIANTE

Para mayor información
consultar el folleto **SISTEMAS
DE SUELO RADIANTE**



SISTEMA KLIMA NEW BUILDING



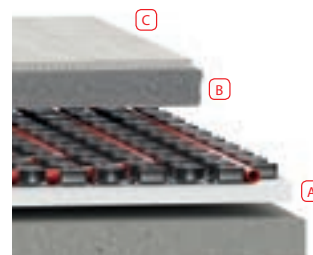
PORQUÉ ELEGIRLO?

- Ideal para nueva construcción, donde no se precisa altura mínima de aislamiento.
- Gama completa de paneles aislantes preformados y lisos.
- Rendimiento óptimo en aislamiento termo-acústico.

Los paneles aislantes preformados de la serie R979 están compuestos por una base de poliestireno expandido (EPS) acoplado a una capa de protección superficial en poliestireno termoconformado de espesor 0,6 mm.

Permite un ahorro considerable de mano de obra en la instalación de tuberías gracias a la particular configuración de los tetones, dotados de aletas preformadas que sujetan firmemente el tubo en su posición, haciendo anecdótico el uso de clips. Los circuitos se pueden realizar a paso múltiple de 50 mm, con tubos de diámetro externo de 16 a 18 mm.

código panel	A altura total panel [mm]	altura aislante/tetones [mm]	B altura mínima mortero [mm]	C altura mínima A+B excluyendo el revestimiento [mm]
R979Y043	32	10/22	30	62
R979Y044/R979GEY04	42	20/22	30	72
R979Y045	52	30/22	30	82
R979Y046	62	40/22	30	92
R979Y047	75	53/22	30	105
R982QY013/33	37	15/22	30	67
R982QY015/35	50	28/22	30	80



El panel aislante liso de la serie R981B está compuesto de una base de poliestireno expandido acoplado a una capa de protección superficial sobre la que viene marcada una cuadrícula para facilitar el tendido de tubo.

Adaptado a las distintas aplicaciones tanto en ámbito residencial o terciario, se aconseja su uso particularmente en grandes superficies (naves industriales, iglesias, etc..).

Suministrado en paneles, utilizar raíles posicionadores de tubo (K389 o K389W) o grapas R983.

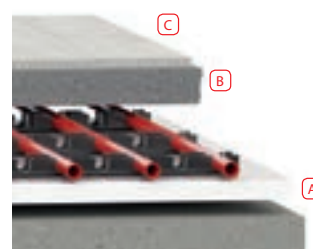


ADVERTENCIA.

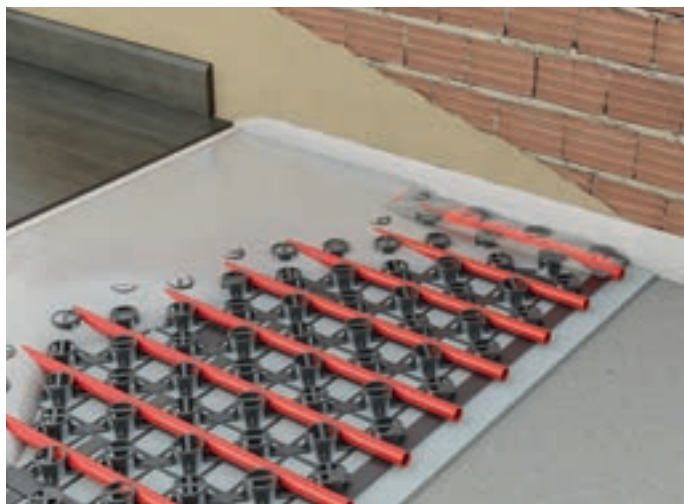
Para la aplicación industrial, el cálculo de la altura del mortero debe ser controlado por el arquitecto de la estructura.

código panel	A altura total panel [mm]	B altura mínima mortero* [mm]	C altura mínima A+B excluyendo el revestimiento [mm]
R981BY003	30	30*	60 + d. tubo
R981BY004	40	30*	70 + d. tubo
R981BY005	50	30*	80 + d. tubo
R981BY006	60	30*	90 + d. tubo

* a partir de la parte superior del tubo



SISTEMA KLIMA RENEW



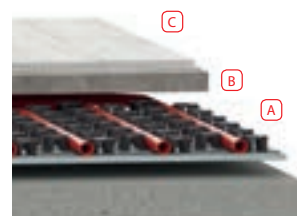
PORQUÉ ELEGIRLO?

- Ideal para reformas y situaciones donde se disponga de poca altura.
- Paneles de bajo espesor.
- Inercia térmica reducida.

El panel SPIDER de la serie R979S es una red tridimensional estampada en material plástico, concretamente polipropileno de alta resistencia.

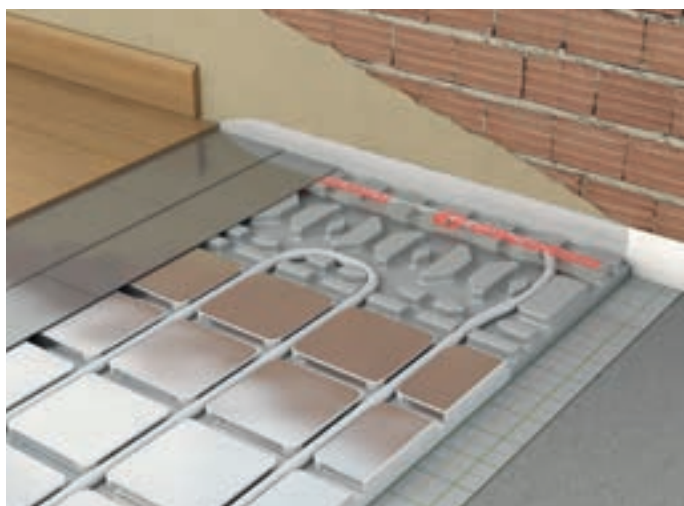
Su altura reducida y su conformación lo hacen adecuado para la adaptación energética de los edificios. La geometría en red tridimensional permite sujetar firmemente el tubo durante la instalación y que quede envuelto por completo dentro del mortero. Queda garantizada de este modo una distribución uniforme del calor, combinado con una inercia térmica muy limitada. El panel R979S está disponible en tres versiones: R979SY001 con adhesivo en la base para fijar sobre un suelo existente; R979SY011 con pins de fijación para aplicación sobre un aislamiento existente; R979SY021, integrado con un aislamiento de alta densidad y grosor 6mm.

código panel	A altura total panel [mm]	altura aislante/tetones [mm]	B altura mínima mortero [mm]	C altura mínima A+B excluyendo el revestimiento [mm]
R979SY001	22	-	25 (con autonivelante)	25 (con autonivelante)
			35 (con anhidrido)	35 (con anhidrido)
			40 (con arena + cemento)	40 (con arena + cemento)
R979SY011	22 + pines sujeción	S _i *	35 (con anhidrido)	35 + S _i (con anhidrido)
			40 (con arena + cemento)	40 + S _i (con arena + cemento)
			30 (con autonivelante)	36 (con autonivelante)
R979SY021	28 (incluidos 6 mm aislante)	6	35 (con anhidrido)	41 (con anhidrido)
			40 (con arena + cemento)	46 (con arena + cemento)
			20 (con autonivelante)	20 (con autonivelante)
R979SY005	15	-	35 (con anhidrido)	35 (con anhidrido)
			40 (con arena + cemento)	40 (con arena + cemento)
			22 (con autonivelante)	28 (con autonivelante)
R979SY025	21 (incluidos 6 mm aislante)	6	35 (con anhidrido)	41 (con anhidrido)
			40 (con arena + cemento)	46 (con arena + cemento)



Sección con panel Spider

SISTEMA KLIMA DRY



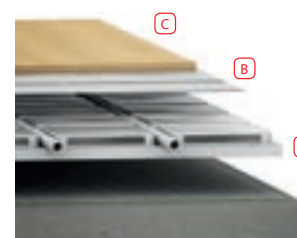
PORQUÉ ELEGIRLO?

- No necesita mortero
- Altura reducida y poco peso
- Ideal para reformas y situaciones donde se disponga de poca altura.

El panel aislado preformado R883-1 está realizado en poliestireno expandido, con encaje a presión de perfil termo conductor formado por una lámina de aluminio de 0,3mm. Encaste perimetral en los cuatro lados del panel, asegurando facilidad en la unión con los paneles adyacentes y eliminación de puentes térmicos. Los paneles de cabecera R884, en poliestireno expandido con film termosoldado y aluminizado, permiten el paso de las tuberías de distribución al resto de circuitos y trabaja como soporte de curvatura. La capa de soporte para la terminación del suelo se construye con dos capas de chapa de acero cincado cuya función es la repartición de las cargas mecánicas, actuando al mismo tiempo como difusor térmico.

Serie K805P para la primera capa, serie K805P-1 con biadhesivo para la segunda.

código panel	A altura total panel [mm]	B altura mínima mortero [mm]	C altura mínima A+B excluyendo el revestimiento [mm]
R883-1/ R884	28	2 (1+1)	30



SISTEMA KLIMA WALL pag. 64

> SISTEMA KLIMA NEW BUILDING

R979

CÓDIGO	MEDIDA	€/m ²	□	⊞
R979Y043	T.50-h.32	13,10	13,44	-
R979Y044	T.50-h.42	14,35	8,96	-
R979GEY04*	T.50-h.42	15,50	8,96	-
R979Y045	T.50-h.52	16,70	6,72	-
R979Y046	T.50-h.62	17,95	11,20	-
R979Y047	T.50-h.75	21,55	8,96	-

*AENOR 001/006886



26 dB

EPS

33 dB

EPS + GRAFITO

Panel aislante preformado para suelo radiante. Realizado en poliestireno expandido sinterizado (EPS) con lámina de protección en poliestireno termoconformado en color negro. Panel R979GEY04 fabricado en EPS+GRAFITO Paso múltiple de 50mm. Densidad 25Kg/m³ (R979Y044, R979Y045, R979Y046, R979Y047) o 30Kg/m³ (R979Y043). Válido para tubo de Ø16 a 18mm. Dimensiones útiles 1400x800mm.

NOTAS

Resistencia térmica:
 R979Y043: 0,40 m²K/W
 R979Y044: 0,75 m²K/W
 R979GEY04: 0,75 m²K/W
 R979Y045: 1,00 m²K/W
 R979Y046: 1,25 m²K/W
 R979Y047: 1,50 m²K/W

R982Q

CÓDIGO	MEDIDA	€/m ²	□	⊞
R982QY013	T50-h37	14,90	11,20	-
R982QY015	T50-h50	17,45	7,84	-



26 dB

Panel aislante preformado para suelo radiante. Realizado en poliestireno expandido sinterizado (EPS) con lámina de protección en poliestireno termosoldado en color negro. Paso múltiple de 50mm. Densidad 30Kg/m³ (R982QY013) o 25Kg/m³ (R982QY015). Válido para tubo de Ø16 a 18mm. Dimensiones útiles 1400x800mm.

NOTAS

Resistencia térmica:
 R982QY013: 0,75 m²K/W
 R982QY015: 1,12 m²K/W

R982

CÓDIGO	MEDIDA	€/m ²	□	⊞
R982Y003	T.75-h.47	15,00	10,125	-



26 dB

Panel aislante preformado para suelo radiante. Realizado en poliestireno expandido sinterizado (EPS) con lámina de protección en poliestireno termosoldado en color negro. Paso múltiple de 75mm. Densidad 25 Kg/m³. Válido para tubo de Ø17 a 20mm. Dimensiones útiles 1350x750mm.

NOTAS

Resistencia térmica:
 R982Y003: 0,76 m²K/W

R981B

CÓDIGO	MEDIDA	€/m ²	□	⊞
R981BY003	h30	14,85	9,60	-
R981BY004	h40	17,65	7,68	-
R981BY005	h50	20,50	5,76	-
R981BY006	h60	23,30	4,80	-



24 dB

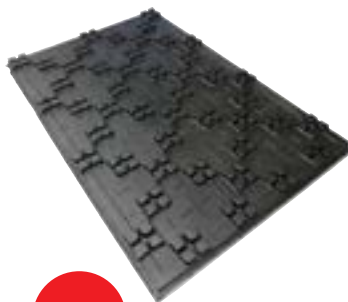
Panel aislante preformada liso para instalación de suelo radiante. Realizado en poliestireno expandido sinterizado (EPS) autoextinguible de alta densidad, acoblado a capa de protección en polietileno termoconformado con función de soporte y barrera de vapor. Red preformada con indicación de paso de tubería, 50x50mm y 100x100mm. Densidad 30Kg/m³. Dimensiones útiles: 1200x800mm.

NOTAS

Resistencia térmica:
 R981BY003: 0,91 m²K/W
 R981BY004: 1,21 m²K/W
 R981BY005: 1,52 m²K/W
 R981BY006: 1,82 m²K/W

R982QE

CÓDIGO	MEDIDA	€/m ²	□	⊞
R982QEY03	T50-h38-D25	12,25	27,72	-
R982QEY05	T50-h43-D25	13,85	23,94	-
R982QEY07	T50-h61-D25	20,75	15,12	-
R982QEY09	T50-h70-D25	21,85	12,60	-
R982QEY11	T50-h87-D25	26,80	10,08	-
R982QEY04	T50-h38-D30	13,40	27,72	-
R982QEY06	T50-h43-D30	14,70	23,94	-
R982QEY08	T50-h61-D30	21,60	15,12	-
R982QEY10	T50-h70-D30	24,75	12,60	-
R982QEY12	T50-h87-D30	30,75	10,08	-



27 dB

Panel aislante preformado para suelo radiante. Realizado en poliestireno expandido sinterizado (EPS) con lámina de protección en poliestireno termosoldado en color negro.

Paso múltiple de 50mm.

Densidad 25Kg/m³ (R982QEY03, R982QEY05, R982QEY07, R982QEY09, R982QEY11)

Densidad 30Kg/m³ (R982QEY04, R982QEY06, R982QEY08, R982QEY10, R982QEY12)

Válido para tubo de Ø16 a 18mm.

Dimensiones útiles 1400x900mm.

NOTAS

Resistencia térmica:

R982EY03/04: 0,60 m²K/W

R982EY05/06: 0,75 m²K/W

R982EY07/08: 1,25 m²K/W

R982EY09/10: 1,50 m²K/W

R982EY11/12: 2,00 m²K/W

INFORMACION

Bajo pedido. Cons. lote mínimo.

K369

CÓDIGO	MEDIDA	€/m	□	⊞
K369Y021	15x0,8cm	1,90	50	-

Banda perimetral adhesiva para instalación de suelo radiante, en polietileno. Dotada de un lado parcialmente adhesivo y de una franja de protección en el lado opuesto. Rango de temperatura -20 ÷ 80°C



NOTAS

Se suministra en rollo de 50m.

K369A

CÓDIGO	MEDIDA	€/m	□	⊞
K369AY021	15x0,8cm	2,55	50	100
K369AY022	25x1cm	3,80	50	100

Banda perimetral adhesiva para instalación de suelo radiante, en polietileno. Dotada de un lado completamente adhesivo y de una franja de protección en el lado opuesto. Rango de temperatura -20 ÷ 80°C



NOTAS

Se suministra en rollo de 50m.

R984

CÓDIGO	MEDIDA	€/m ²	□	⊞
R984Y015	rejilla 50x50mm	2,50	125	-

Film antivapor en polietileno para instalaciones de suelo radiante. Dotado de rejilla impresa, diseñada para facilitar la instalación de tubería.



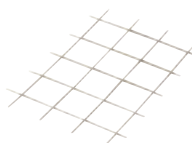
NOTAS

Se suministra en rollo de 1,25 x 100m.

K393

CÓDIGO	MEDIDA	€/m ²	□	⊞
K393Y001	50x50mm	7,00	40	-

Malla electrosoldada zincada en 50 x 50mm. Diámetro del alambre 1,6mm.



NOTAS

Se suministra en panel de 2 x 1m.

K369D

CÓDIGO	MEDIDA	€/m	□	⊞
K369DY001	15x0,8cm	0,98	50	100

Banda para juntas de dilatación, en polietileno. Rango de temperatura -20 ÷ 80°C



NOTAS

Se suministra en rollo de 50m.

Utilizar en combinación con la guía R872D.

R872D

CÓDIGO	MEDIDA	€/m	□	⊞
R872DY001	2m	11,35	2	100

Guía autoadhesiva para juntas de dilatación para instalaciones de suelo radiante. Longitud de 2m.



NOTAS

Utilizar en combinación con la banda para juntas de dilatación K369D.

K375

CÓDIGO	MEDIDA	€/ud	□	⊞
K375Y011	2l	18,00	1	8

Aditivo anti-incrustante para instalaciones de suelo radiante.



NOTAS

Concentración mínima 1l/100l agua de instalación (aprox. 2l/75m² de suelo radiante).

K376

CÓDIGO	MEDIDA	€/ud	□	⊞
K376Y011	10l	45,00	1	-

Aditivo fluidificante de cemento para instalaciones de suelo radiante.



NOTAS

Mezclar 0,9÷1,3l por cada 100Kg de cemento (aprox. 1l por cada 15 sacos de 25 Kg de mortero de cemento 5/1).

> SISTEMA KLIMA RENEW

R979S

CÓDIGO	MEDIDA	€/m ²	□	⊞
R979SY001	T.50-h.22	22,50	13,44	-
R979SY011	T.50-h.22+13	18,55	7,20	-
R979SY021	T.50-h.22+6	27,40	8,64	-
R979SY005	T.50-h.15	23,65	15,84	-
R979SY025	T.50-h.15+6	28,00	10,08	-

R979SY005

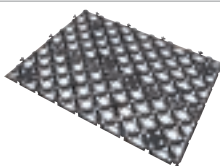


R979SY025

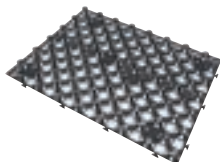


20 dB

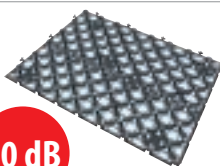
R979SY001



R979SY011



R979SY021



20 dB

Panel preformado para suelo radiante con mortero de bajo espesor, realizado en PPR de alta resistencia.

La geometría patentada de la rejilla permite al mortero inundar completamente el panel, garantizando una distribución uniforme del calor. Válido para tuberías:

- R979SY001, R979SY011, R979SY021: Ø16 a 18mm.
- R979SY005, R979SY025: Ø12mm.

Dimensiones de 800 x 600mm.

Disponible en varias versiones:

- R979SY001/R979SY005: Base adhesiva. Indicado para reforma. El panel se pega directamente al suelo existente.

- R979SY011: Con grapa integrada de 13mm para fijación sobre panel aislante. Indicado para instalaciones con previsión de aislamiento liso.

- R979SY021/R979SY025: Con aislamiento de 6mm de grosor ($\lambda=0,032\text{W/mK}$). Indicado para reforma.

NOTAS

Resistencia térmica
R979SY021 y R979SY025: 0,19 (m²K)/W

INFORMACION

Para información del mortero a utilizar consultar con el departamento técnico de Giacomini.



Base adhesiva



Pines de sujeción al aislante



Bloqueo del tubo sin clips con el paso entre tubos múltiple de 50 mm

PANEL R979S - Características principales

- **Facilidad de instalación:** fijación del tubo sin uso de clips, paso múltiple de 50mm;
- **Rendimiento térmico elevado:** la geometría patentada del tetón perforado permite la inundación completa de mortero, permitiendo así una distribución homogénea de la temperatura;
- **Ideal para reforma de edificio:** Su estructura, actuando de malla de repartición reduce notablemente el espesor de la instalación radiante y garantiza una elevada resistencia a las cargas.

R981E

CÓDIGO	MEDIDA	€/m ²	□	⊞
R981EY001	h27	9,75	26,4	-
R981EY002	h45	13,25	15,6	-
R981EY101	h20	4,85	36,0	-
R981EY102	h20	7,10	14,4	-
R981EY201	h25	18,05	24,0	-

PERFILES PANEL

R981EY001	
R981EY002	
R981EY101	
R981EY102	
R981EY201	



26 dB

37 dB

Panel aislante liso para instalación de suelo radiante. Realizado en poliestireno expandido sinterizado (EPS) sin lámina de protección superior. Dimensiones útiles: 1200x1000mm.

NOTAS

Resistencia térmica:
R981EY001: 0,75 m²K/W
R981EY002: 1,25 m²K/W
R981EY101: 0,5 m²K/W. Para recrecidos y aumento de resistencia térmica.
R981EY102: 0,5 m²K/W. Panel de EEPS (elastificado acústico) para recrecidos acústicos y aumento de resistencia térmica
R981EY201: 0,75 m²K/W. Panel compuesto EPS+EEPS (acústico)

K369

CÓDIGO	MEDIDA	€/m	□	⊞
K369Y021	15x0,8cm	1,90	50	-

Banda perimetral adhesiva para instalación de suelo radiante, en polietileno. Dotada de un lado parcialmente adhesivo y de una franja de protección en el lado opuesto.
Rango de temperatura -20 ÷ 80°C



NOTAS

Se suministra en rollo de 50m.

K369A

CÓDIGO	MEDIDA	€/m	□	⊞
K369AY021	15x0,8cm	2,55	50	100
K369AY022	25x1cm	3,80	50	100

Banda perimetral adhesiva para instalación de suelo radiante, en polietileno. Dotada de un lado completamente adhesivo y de una franja de protección en el lado opuesto.
Rango de temperatura -20 ÷ 80°C



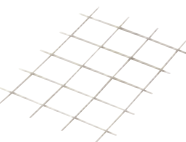
NOTAS

Se suministra en rollo de 50m.

K393

CÓDIGO	MEDIDA	€/m ²	□	⊞
K393Y001	50x50mm	7,00	40	-

Malla electrosoldada zincada en 50 x 50mm.
Diámetro del alambre 1,6mm.



NOTAS

Se suministra en panel de 2 x 1m.

R984

CÓDIGO	MEDIDA	€/m ²	□	⊞
R984Y015	rejilla 50x50mm	2,50	125	-

Film antivapor en polietileno para instalaciones de suelo radiante. Dotado de rejilla impresa, diseñada para facilitar la instalación de tubería.



NOTAS

Se suministra en rollo de 1,25 x 100m.

K369D

CÓDIGO	MEDIDA	€/m	□	⊞
K369DY001	15x0,8cm	0,98	50	100

Banda para juntas de dilatación, en polietileno.
Rango de temperatura -20 ÷ 80°C



NOTAS

Se suministra en rollo de 50m.

Utilizar en combinación con la guía R872D.

R872D

CÓDIGO	MEDIDA	€/m	□	⊞
R872DY001	2m	11,35	2	100

Guía autoadhesiva para juntas de dilatación para instalaciones de suelo radiante.
Longitud de 2m.



NOTAS

Utilizar en combinación con la banda para juntas de dilatación K369D.

K375

CÓDIGO	MEDIDA	€/ud	□	⊞
K375Y011	2l	18,00	1	8

Aditivo anti-incrustante para instalaciones de suelo radiante.



NOTAS

Concentración mínima 1l/100l agua de instalación (aprox. 2l/75m² de suelo radiante).

K376

CÓDIGO	MEDIDA	€/ud	□	⊞
K376Y011	10l	45,00	1	-

Aditivo fluidificante de cemento para instalaciones de suelo radiante.



NOTAS

Mezclar 0,9÷1,3l por cada 100Kg de cemento (aprox. 1l por cada 15 sacos de 25 Kg de mortero de cemento 5/1).

K389

CÓDIGO	MEDIDA	€/m	□	⊞
K389Y002	Ø20-paso 5mm	Consultar	4	64
K389Y003	Ø25-paso 10mm	Consultar	4	64

Rail posicionador de tubo para instalaciones de suelo radiante.



K389W

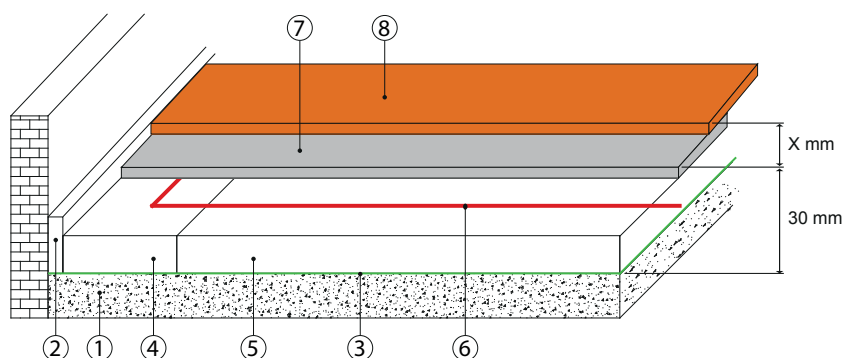
CÓDIGO	MEDIDA	€/m	□	⊞
K389WY001	Ø 12 -22	5,95	1	100

Rail posicionador de tubo, con sistema de enganche rápido, para instalaciones de suelo radiante o paredes radiantes.
Paso múltiple de 50 o 100mm.



> SISTEMA KLIMA DRY

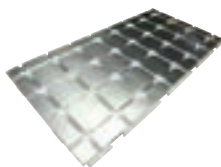
Elementos constructivos del sistema seco



- 1 Capa base de soporte (forjado)
- 2 Banda perimetral, serie K369A
- 3 Capa de protección en polietileno impermeable al vapor de agua, serie R984
- 4 Panel de cabecera termoformado y aluminizado, serie R884, para distribución de tubería y soporte para curvatura de circuitos.
- 5 Panel preformado, serie R883-1, con lámina termoconductora de aluminio.
- 6 Tubo Pex o multicapa de diámetro exterior máximo de 17mm.
- 7 Doble capa en láminas de acero cincado, con función de capa de soporte, serie K805P y K805P-1.
- 8 Acabado superficial.

R883-1

CÓDIGO	MEDIDA	€/m ²	□	⊞
R883Y101	T150-h28	43,95	11,52	-

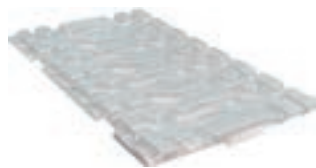


Panel aislante en poliestireno expandido para instalación de suelo radiante seco. Difusor formado por lámina de aluminio de espesor 0,3mm, encajado al panel, permite el paso de tubo en ambas direcciones y puntualmente a 45° (eliminando parte del tetón). Dotado de encaste perimetral en los cuatro lados para unión a paneles adyacentes.

Paso múltiple de 150mm.
Densidad de 30Kg/m³.
Válido para tubería de 16x1,8 y 16x2.
Dimensiones útiles 1200x600.

R884

CÓDIGO	MEDIDA	€/m ²	□	⊞
R884Y101	h28	43,95	5,76	-



Panel aislante de cabecera en poliestireno expandido, para el paso de tubo de alimentación del circuito y para las curvas del circuito, en instalaciones de suelo radiante seco. Dotado de encaste perimetral en los cuatro lados para unión a paneles adyacentes. Incluye tetones adicionales, extraíbles, para insertar en los espacios de curva no ocupados, para aumentar su resistencia de carga. Densidad 40Kg/m³. Dimensiones útiles 600x300mm.

K805P

CÓDIGO	MEDIDA	€/m ²	□	⊞
K805PY003	600x300x1mm	38,75	3,60	-
K805PY004	600x600x1mm	39,10	3,60	-

Lámina en acero zincado de espesor reducido para instalaciones de suelo radiante seco, para repartición de carga.



K805P-1

CÓDIGO	MEDIDA	€/m ²	□	⊞
K805PY023	600x300x1mm	55,85	3,60	-
K805PY024	600x600x1mm	55,85	3,60	-

Lámina en acero zincado de espesor reducido para instalaciones de suelo radiante seco, para repartición de carga. Dotada de biadhésivo.



R996T

CÓDIGO	MEDIDA	€/m	□	⊞
R996TY227	16x2	1,48	100	-
R996TY219	16x2	1,48	240	-
R996TY264	16x2	1,48	600	-



tubo Giacotherm en polietileno reticulado PEX-b, con barrera anti-oxígeno externa. Idóneo para clase de aplicación 4 y 5, no válido para distribución de agua de consumo. Específico para instalaciones de suelo radiante en calefacción y refrescamiento. Flexibilidad elevada.

R984

CÓDIGO	MEDIDA	€/m ²	□	⊞
R984Y015	rejilla 50x50mm	2,50	125	-

Film antivapor en polietileno para instalaciones de suelo radiante. Dotado de rejilla impresa, diseñada para facilitar la instalación de tubería.

NOTAS

Se suministra en rollo de 1,25 x 100m.



K369

CÓDIGO	MEDIDA	€/m	□	⊞
K369Y021	15x0,8cm	1,90	50	-

Banda perimetral adhesiva para instalación de suelo radiante, en polietileno. Dotada de un lado parcialmente adhesivo y de una franja de protección en el lado opuesto. Rango de temperatura -20 ÷ 80°C

NOTAS

Se suministra en rollo de 50m.



K369A

CÓDIGO	MEDIDA	€/m	□	⊞
K369AY021	15x0,8cm	2,55	50	100
K369AY022	25x1cm	3,80	50	100

Banda perimetral adhesiva para instalación de suelo radiante, en polietileno. Dotada de un lado completamente adhesivo y de una franja de protección en el lado opuesto. Rango de temperatura -20 ÷ 80°C

NOTAS

Se suministra en rollo de 50m.



K375

CÓDIGO	MEDIDA	€/ud	□	⊞
K375Y011	2l	18,00	1	8

Aditivo anti-incrustante para instalaciones de suelo radiante.

NOTAS

Concentración mínima 1l/100l agua de instalación (aprox. 2l/75m² de suelo radiante).



> SISTEMA KLIMA ECO

R981L

FIBRA DE MADERA

CÓDIGO	MEDIDA	€/m ²	□	⊞
R981LY001	h40	40,75	61,20	-
R981LY002	h60	60,85	41,60	-

CORCHO

CÓDIGO	MEDIDA	€/m ²	□	⊞
R981LY053	h30	44,95	5	-



Panel aislante liso en fibra de madera o corcho para instalación de suelo radiante.

Densidad 210 Kg/m³ (fibra de madera) y 150 Kg/m³ (corcho).

Dimensiones útiles 1020x600 (fibra de madera) y 1000x500mm (corcho).

NOTAS

Disponible bajo pedido.

Verificar condiciones con el comercial correspondiente.

R984L

CÓDIGO	MEDIDA	€/m ²	□	⊞
R984LY003	1,2X100m	5,85	120	-

Lámina de separación impermeable, transpirante y anti-putrefacción. Papel marrón de pura celulosa no clorada, aceitada por inmersión.



NOTAS

Disponible bajo pedido.

Verificar condiciones con el comercial correspondiente.

R872D

CÓDIGO	MEDIDA	€/m	□	⊞
R872DY001	2m	11,35	2	100

Guía autoadhesiva para juntas de dilatación para instalaciones de suelo radiante.

Longitud de 2m.



NOTAS

Utilizar en combinación con la banda para juntas de dilatación K369D.

K369L

CÓDIGO	MEDIDA	€/m	□	⊞
K369LY001	150x5	5,75	25	-

Banda perimetral en corcho, para instalación de suelo radiante.



NOTAS

Disponible bajo pedido.

Verificar condiciones con el comercial correspondiente.

K375

CÓDIGO	MEDIDA	€/ud	□	⊞
K375Y011	2l	18,00	1	8

Aditivo anti-incrustante para instalaciones de suelo radiante.

NOTAS

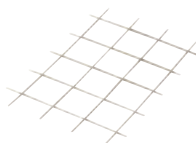
Concentración mínima 1l/100l agua de instalación (aprox. 2l/75m² de suelo radiante).



K393

CÓDIGO	MEDIDA	€/m ²	□	⊞
K393Y001	50x50mm	7,00	40	-

Malla electrosoldada zincada en 50 x 50mm. Diámetro del alambre 1,6mm.



NOTAS

Se suministra en panel de 2 x 1m.

K369D

CÓDIGO	MEDIDA	€/m	□	⊞
K369DY001	15x0,8cm	0,98	50	100

Banda para juntas de dilatación, en polietileno. Rango de temperatura -20 ÷ 80°C



NOTAS

Se suministra en rollo de 50m.

Utilizar en combinación con la guía R872D.

K376

CÓDIGO	MEDIDA	€/ud	□	⊞
K376Y011	10l	45,00	1	-

Aditivo fluidificante de cemento para instalaciones de suelo radiante.

NOTAS

Mezclar 0,9+1,3l por cada 100Kg de cemento (aprox. 1l por cada 15 sacos de 25 Kg de mortero de cemento 5/1).



K389

CÓDIGO	MEDIDA	€/m	□	⊞
K389Y002	Ø20-paso 5mm	Consultar	4	64
K389Y003	Ø25-paso 10mm	Consultar	4	64

Rail posicionador de tubo para instalaciones de suelo radiante.



K389W

CÓDIGO	MEDIDA	€/m	□	⊞
K389WY001	Ø 12 -22	5,95	1	100

Rail posicionador de tubo, con sistema de enganche rápido, para instalaciones de suelo radiante o paredes radiantes.

Paso múltiple de 50 o 100mm.



> TUBERIAS Y ACCESORIOS

R996T

CÓDIGO	MEDIDA	€/m	□	⊞
R996Y172	12x1,1	1,04	240	-
R996Y175	12x1,1	1,04	600	-
R996Y048	16x1,5	1,25	240	-
R996Y065	16x1,5	1,25	500	-
R996TY227	16x2	1,48	100	-
R996TY219	16x2	1,48	240	-
R996TY264	16x2	1,48	600	-
R996TY054	17x2	1,52	100	-
R996TY033	17x2	1,52	240	-
R996TY052	17x2	1,52	600	-
R996TY249	18x2	1,75	100	-
R996TY220	18x2	1,75	240	-
R996TY250	18x2	1,75	500	-
R996TY221	20x2	1,80	100	-
R996TY222	20x2	1,80	240	-
R996TY253	20x2	1,80	400	-
R996TY068	25x2,3	3,25	320	-



Tubo Giacothersm en polietileno reticulado PEX-b, con barrera anti-oxígeno externa. Idóneo para clase de aplicación 4 y 5, no válido para distribución de agua de consumo. Específico para instalaciones de suelo radiante en calefacción y refrescamiento. Flexibilidad elevada.

R996

CÓDIGO	MEDIDA	€/m	□	⊞
R996Y140	16x1,8 BAO	2,20	100	-
R996Y141	16x1,8 BAO	2,15	240	-
R996Y142	16x1,8 BAO	2,10	600	-



Tubo en polietileno reticulado PEX-b. Idóneo para clase de aplicación 1, 2, 4 y 5 - Agua sanitaria y calefacción/refrigeración según modelo.

R999

TUBO EN ROLLO

CÓDIGO	MEDIDA	€/m	□	⊞
R999Y122	16x2	1,45	100	-
R999Y123	16x2	1,45	200	-
R999Y124	16x2	1,45	500	-
R999Y142	20x2	2,15	100	-
R999Y143	20x2	2,15	200	-



Tubería multicapa PEX-b/Al/PEX-b. Idóneo para instalaciones sanitarias, calefacción y refrescamiento. Clase de aplicación 1, 2, 4 y 5.

R865

CÓDIGO	MEDIDA	€/ud	□	⊞
R865Y001	-	494,60	1	-

Desbobinador de tubo de plástico.



R983

CÓDIGO	MEDIDA	€/ud	□	⊞
R983Y001	para h37 o superior	0,10	100	1.000
R983Y003	para h30	0,10	100	1.000
R983Y500	para grapadora R863	0,12	300	-

Grapa para fijación de tubo en paneles aislantes



NOTAS

Grapa para grapadora R863LY003.
Ømax. tubo=20mm.

R983L

CÓDIGO	MEDIDA	€/ud	□	⊞
R983LY003	para grapadora R863L	0,25	1	-

Grapa para fijación de tubo en paneles aislantes



NOTAS

Grapa para grapadora R863LY003.
Ømax. tubo=20mm.

R863

CÓDIGO	MEDIDA	€/ud	□	⊞
R863Y500	R983Y500	449,75	1	-
R863LY003	R983LY003	491,80	1	-

Grapadora para fijación de tubo.



R983S

CÓDIGO	MEDIDA	€/ud	□	⊞
R983Y041	-	0,47	1	100

Clip en plástico para fijación del panel R979SY001 y R979SY021.



K809

CÓDIGO	MEDIDA	€/ud	□	⊞
K809Y001	50x26mm	0,32	1	100

Grapa para fijación de tubo en suelo radiante SLIM.



R549P

CÓDIGO	MEDIDA	€/ud	□	⊞
R549PY003	Ø 16-18	2,35	1	50
R549PY004	Ø 20	5,00	1	50
R549PY007	Ø 25	6,85	1	50

Curva guía-tubo en plástico.



R179AM

CÓDIGO	MEDIDA	€/ud	□	⊞
R179MX022	18x(14x2,0)	2,95	25	250
R179MX023	18x(16x2,2)	3,35	25	250
R179MX024	18x(16x2,0)	2,75	25	250
R179MX025	18x(18x2,0)	3,35	25	250
R179MX026	18x(20x2,0)	3,35	25	250
R179MX027	18x(20x2,5)	3,20	25	250
R179MX028	18x(16,2x2,6)	3,20	25	250
R179MX030	18x(17,5x2,3)	3,30	25	250
R179MX034	18x(17x2,0)	3,15	25	250
R179MX035	18x(20x2,25)	3,20	25	250



Adaptador para tubo de plástico y multicapa en instalaciones hidráulicas. Conforme a la norma EN 1254-3.

Junta tórica negra conforme a la norma EN 681-1.

Rango de temperatura 5 ÷ 110 °C.

Presión máxima de trabajo 10bar.

R179

CÓDIGO	MEDIDA	€/ud	□	⊞
R179X062	18x(12x2,0)	3,05	25	250
R179X063	18x(12x1,1)	3,00	25	250
R179X070	18x(15x2,5)	3,00	25	250
R179X094	18x(15x2,0)	3,35	25	250
R179X072	18x(16x2,7)	3,25	25	250
R179X076	18x(16x1,8)	3,35	25	250
R179X077	18x(16x1,5)	2,95	25	250
R179X079	18x(17x2,5)	3,20	25	250
R179X082	18x(18x2,5)	2,85	25	250
R179X086	18x(20x3,4)	3,00	25	250
R179X087	18x(20x2,8)	2,95	25	250
R179X091	18x(20x1,9)	2,95	25	250
R179X092	18x(21x2,5)	3,00	25	250
R179X095	18x(22x2,0)	3,35	25	250



Adaptador para tubo de plástico (para medidas no disponibles en la serie R179AM) en instalaciones hidráulicas. Conforme a la norma EN 1254-3.

Junta tórica negra conforme a la norma EN 681-1.

Rango de temperatura 5 ÷ 110 °C.

Presión máxima de trabajo 10bar.

R131

CÓDIGO	MEDIDA	€/ud	□	⊞
R131Y003	27/29	27,60	1	-
R131Y004	29/30	34,10	1	-

Llave fija para adaptadores.



NOTAS

Llave de 27 para base 16.

Llave de 29 para base 18.

> COLECTORES

R553FK

CÓDIGO	MEDIDA	€/ud	□	⊞
R553FK022	1"x18 /2	190,05	1	-
R553FK023	1"x18 /3	222,20	1	-
R553FK024	1"x18 /4	255,60	1	-
R553FK025	1"x18 /5	283,55	1	-
R553FK026	1"x18 /6	313,35	1	-
R553FK027	1"x18 /7	345,25	1	-
R553FK028	1"x18 /8	372,90	1	-
R553FK029	1"x18 /9	402,85	1	-
R553FK030	1"x18 /10	433,65	1	-
R553FK031	1"x18 /11	466,00	1	-
R553FK032	1"x18 /12	498,95	1	-



Kit de colector premontado y válvula multifunción para instalación de climatización. Caudalímetro por circuito (0,5÷5l/min). Conexión para tubo de cobre, plástico o multicapa.

Separación entre salidas de 50mm.

Rango de temperatura 5÷110°C.

Presión máxima de trabajo 10bar.

Formado por:

- 1 colector premontado R553F.
- 2 válvulas multifunción R269T con tapón terminal.

NOTAS

El control eléctrico todo/nada de los circuitos puede realizarse quitando los volantes manuales y montando los cabezales electrotérmicos R473, R473, R478 o R478M.

Para el equilibrado de circuitos utilizar la llave R558 o la llave R558N.

Para la conexión a tubo utilizar los adaptadores R178, R179 o R179AM.

INFORMACION

Los soportes que incorpora el colector son compatibles únicamente con las cajas R500, R501 y R502 (profundidad 110mm).

Para utilizar la caja R500-2 (profundidad regulable 85÷130mm) sustituir los soportes del colector por los R588ZY001 (pedir por separado).

R553DK

CÓDIGO	MEDIDA	€/ud	□	⊞
R553DK022	1"x18 /2	170,90	1	-
R553DK023	1"x18 /3	196,00	1	-
R553DK024	1"x18 /4	224,30	1	-
R553DK025	1"x18 /5	245,70	1	-
R553DK026	1"x18 /6	286,90	1	-
R553DK027	1"x18 /7	282,80	1	-
R553DK028	1"x18 /8	312,70	1	-
R553DK029	1"x18 /9	336,90	1	-
R553DK030	1"x18 /10	358,85	1	-
R553DK031	1"x18 /11	386,70	1	-
R553DK032	1"x18 /12	408,80	1	-



Kit de colector premontado y válvula multifunción para instalación de climatización. Conexión para tubo de cobre, plástico o multicapa.

Separación entre salidas de 50mm.

Rango de temperatura 5÷110°C.

Presión máxima de trabajo 10bar.

Formado por:

- 1 colector premontado R553D.
- 2 válvulas multifunción R269T con tapón terminal.

NOTAS

El control eléctrico todo/nada de los circuitos puede realizarse quitando los volantes manuales y montando los cabezales electrotérmicos R473, R473, R478 o R478M.

Para el equilibrado de circuitos utilizar la llave R558 o la llave R558N.



Para la conexión a tubo utilizar los adaptadores R178, R179 o R179AM.

INFORMACION

Los soportes que incorpora el colector son compatibles únicamente con las cajas R500, R501 y R502 (profundidad 110mm).

Para utilizar la caja R500-2 (profundidad regulable 85÷130mm) sustituir los soportes del colector por los R588ZY001 (pedir por separado).

R553W-2

CÓDIGO	MEDIDA	€/ud		
R553WY001	1"	56,75	1	-
R553WY005	1 1/4"	56,75	1	-
R553WY003	1"	56,75	1	-
R553WY007	1 1/4"	56,75	1	-



Conjunto de aislamiento para impulsión y retorno de colectores R553D y R553F o modulares DN32 con máximo de 12 salidas.

NOTAS



R553WY001: Para colector en barra R553F de 1", máximo 12 salidas.

R553WY003: Para colector en barra R553D de 1", máximo 12 salidas.

R553WY005: Para colector en barra R553F de 1 1/4" o modulares R53MM, R53MT, R53VM, R53VT de 1" y 1 1/4", máximo 12 salidas.

R553WY007: Para colector en barra R553D de 1 1/4" o modulares R53SM, R53ST, R53VM, R53VT de 1" y 1 1/4", máximo 12 salidas.

R553W

CÓDIGO	MEDIDA	€/ud		
R553WY002	1"	47,00	1	-
R553WY006	1 1/4"	50,45	1	-
R553WY004	1"	47,00	1	-
R553WY008	1 1/4"	50,45	1	-
R553WY012	1"	49,85	1	-
R553WY016	1 1/4"	49,85	1	-
R553WY014	1"	49,85	1	-
R553WY018	1 1/4"	49,85	1	-



Conjunto de aislamiento formado por:

- 2 coquillas aislantes para grupo intermedio R554D con válvula de esfera R259D o en alternativa para válvula multifunción R269T.
- Aislamiento para tapón terminal.

NOTAS

R553WY002: Coquilla de aislamiento para grupo intermedio R554D + válvula de esfera R259D, tapón terminal para colector en barra R553F de 1" o colector modular R53MT + R53VT de 1".

R553WY004: Coquilla de aislamiento para grupo intermedio R554D + válvula de esfera R259D, tapón terminal para colector en barra R553D de 1" o colector modular R53ST + R53VT de 1".

R553WY006: Coquilla de aislamiento para grupo intermedio R554D + válvula de esfera R259D, tapón terminal para colector en barra R553F de 1 1/4" o colector modular R53MT + R53VT de 1 1/4".

R553WY008: Coquilla de aislamiento para grupo intermedio R554D + válvula de esfera R259D, tapón terminal para colector en barra R553D de 1 1/4" o colector modular R53ST + R53VT de 1 1/4".

R553WY012: Coquilla de aislamiento para válvula multifunción R269T y tapón terminal para colector en barra R553F de 1" o colector modular R53MT + R53VT de 1".

R553WY014: Coquilla de aislamiento para válvula multifunción R269T y tapón terminal para colector en barra R553D de 1" o colector modular R53ST + R53VT de 1".

R553WY016: Coquilla de aislamiento para válvula multifunción R269T y tapón terminal para colector en barra R553F de 1 1/4" o colector modular R53MT + R53VT de 1 1/4".

R553WY018: Coquilla de aislamiento para válvula multifunción R269T y tapón terminal para colector en barra R553D de 1 1/4" o colector modular R53ST + R53VT de 1 1/4".

R553FP

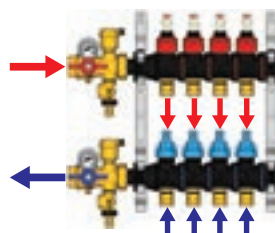
CÓDIGO	MEDIDA	€/ud	☐	☒
R553FP022	1"x18 /2	178,35	1	-
R553FP023	1"x18 /3	210,00	1	-
R553FP024	1"x18 /4	237,30	1	-
R553FP025	1"x18 /5	264,65	1	-
R553FP026	1"x18 /6	292,00	1	-
R553FP027	1"x18 /7	319,30	1	-
R553FP028	1"x18 /8	342,00	1	-
R553FP029	1"x18 /9	371,30	1	-
R553FP030	1"x18 /10	400,95	1	-
R553FP031	1"x18 /11	431,95	1	-
R553FP032	1"x18 /12	461,60	1	-

ELECCIÓN CAJA PARA COLECTOR R500-2

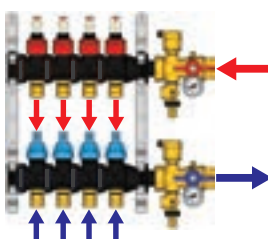
Código colector	Nº de salidas	Código caja	Dimensiones [mm]
R553FP022	2	R500Y221	400x650x85÷130
R553FP023	3	R500Y221	400x650x85÷130
		R500Y222	600x650x85÷130
R553FP024	4		
R553FP025	5	R500Y222	600x650x85÷130
R553FP026	6		
R553FP027	7	R500Y222	600x650x85÷130
		R500Y223	800x650x85÷130
R553FP028	8		
R553FP029	9	R500Y223	800x650x85÷130
R553FP030	10		
R553FP031	11	R500Y223	800x650x85÷130
		R500Y224	1000x650x85÷130
R553FP032	12	R500Y224	1000x650x85÷130

ESQUEMA DE FLUJO

ENTRADA A IZQUIERDA



ENTRADA A DERECHA



Colector modular premontado con caudalímetro, fabricado en tecnopolímero.

Separación entre salidas de 50mm.

Rango de temperatura 5÷60°C (100°C para breves periodos de tiempo).

Presión máxima de trabajo 6bar (10bar para prueba de presión).

Formado por:

- 1 colector de impulsión en tecnopolímero con caudalímetros (doble escala: 0,5÷5l/min y GPM) con función de regulación/corte de fluido.
- 1 colector de retorno en tecnopolímero con válvulas de corte accionadas por volante manual.
- Posibilidad de instalar cabezales electrotérmicos acoplando anillo M30x1,5.
- Estanqueidad con doble junta en EPDM.
- Soportes metálicos R588Z.
- 2 válvulas multifunción R269T en latón, con conexión de 1" (impulsión y retorno).

NOTAS

Conexión: 1" (R269T) x DN32 (colector) x base 18 (circuitos).

El control eléctrico todo/nada de los circuitos puede realizarse quitando los volantes manuales y montando los cabezales electrotérmicos R473, R478 o R478M.

Para la conexión a tubo utilizar los adaptadores R178, R179 o R179AM.

INFORMACION

Los soportes que incorpora el colector son compatibles únicamente con la caja R500-2 (profundidad regulable 85÷130mm).

P553FP

CÓDIGO	MEDIDA	€/ud	☐	☒
P553PY001	módulo entrada + clip	15,15	1	-
P553PY004	módulo tapón + clip	11,55	1	-
P553PY008	impulsión con caudalímetro+clip	17,35	1	-
P553PY009	retorno con válvula + clip	18,55	1	-
P553PY020	clip rojo impulsión	1,19	1	-
P553PY021	clip azul retorno	1,19	1	-
P553PY022	clip negro entrada/tapón	1,19	1	-
P553PY023	clip negro salida base 18	0,49	1	-



Módulos y accesorios para colector en tecnopolímero modelo R553FP.

R53ST

CÓDIGO	MEDIDA	€/ud	☐	☒
R53STY006	1"×18×DN32	34,55	1	20
R53STY007	1 1/4"×18×DN32	37,35	1	20

Par de elementos extremos de colector modular a bayoneta con detensores frontales para equilibrado dotados de memoria mecánica.

Conexión para tubo de cobre, plástico o multicapa.

Separación entre salidas (elementos ensamblados) de 50mm.

Rango de temperatura 5÷110°C.

Presión máxima de trabajo 10bar.

NOTAS

Para el equilibrado de circuitos utilizar la llave R558 o la llave R558N.

Para la conexión a tubo utilizar los adaptadores R178, R179 o R179AM.



R53VT

CÓDIGO	MEDIDA	€/ud	☐	☒
R53VTY006	1"×18×DN32	45,10	1	20
R53VTY007	1 1/4"×18×DN32	47,05	1	20

Par de elementos extremos de colector modular a bayoneta, de retorno, con válvula de corte accionada por volante manual. Posibilidad de instalar cabezales electrotérmicos.

Conexión para tubo de cobre, plástico o multicapa.

Separación entre salidas (elementos ensamblados) de 50mm.

Rango de temperatura 5÷110°C.

Presión máxima de trabajo 10bar.

NOTAS

El control eléctrico todo/nada de los circuitos puede realizarse quitando los volantes manuales y montando los cabezales electrotérmicos R473, R473, R478 o R478M.

Para la conexión a tubo utilizar los adaptadores R178, R179 o R179AM.



R53MT

CÓDIGO	MEDIDA	€/ud	☐	☒
R53MTY006	1"×18×DN32	48,10	1	20
R53MTY007	1 1/4"×18×DN32	51,25	1	20

Par de elementos extremos de colector modular a bayoneta, de impulsión, con detensores frontales para equilibrado dotados de memoria mecánica y caudalímetros (0,5÷5l/min).

Conexión para tubo de cobre, plástico o multicapa.

Separación entre salidas (elementos ensamblados) de 50mm.

Rango de temperatura 5÷110°C.

Presión máxima de trabajo 10bar.

NOTAS

Para el equilibrado de circuitos utilizar la llave R558 o la llave R558N.

Para la conexión a tubo utilizar los adaptadores R178, R179 o R179AM.



R53SM

CÓDIGO	MEDIDA	€/ud	☐	☒
R53SMY006	DN32×18	20,15	1	20

Elemento intermedio de colector modular a bayoneta con detensores frontales para equilibrado dotados de memoria mecánica.

Conexión para tubo de cobre, plástico o multicapa.

Separación entre salidas (elementos ensamblados) de 50mm.

Rango de temperatura 5÷110°C.

Presión máxima de trabajo 10bar.

NOTAS

Para el equilibrado de circuitos utilizar la llave R558 o la llave R558N.

Para la conexión a tubo utilizar los adaptadores R178, R179 o R179AM.



R53VM

CÓDIGO	MEDIDA	€/ud	☐	☒
R53VMY006	DN32×18	27,25	1	20

Elemento intermedio de colector modular a bayoneta, de retorno, con válvula de corte accionada por volante manual. Posibilidad de instalar cabezales electrotérmicos.

Conexión para tubo de cobre, plástico o multicapa.

Separación entre salidas (elementos ensamblados) de 50mm.

Rango de temperatura 5÷110°C.

Presión máxima de trabajo 10bar.

NOTAS

El control eléctrico todo/nada de los circuitos puede realizarse quitando los volantes manuales y montando los cabezales electrotérmicos R473, R473, R478 o R478M.

Para la conexión a tubo utilizar los adaptadores R178, R179 o R179AM.



R53MM

CÓDIGO	MEDIDA	€/ud	☐	☒
R53MMY006	DN32×18	27,35	1	20

Elemento intermedio de colector modular a bayoneta, de impulsión, con detensores frontales para equilibrado dotados de memoria mecánica y caudalímetros (0,5÷5l/min).

Conexión para tubo de cobre, plástico o multicapa.

Separación entre salidas (elementos ensamblados) de 50mm.

Rango de temperatura 5÷110°C.

Presión máxima de trabajo 10bar.

NOTAS

Para el equilibrado de circuitos utilizar la llave R558 o la llave R558N.

Para la conexión a tubo utilizar los adaptadores R178, R179 o R179AM.



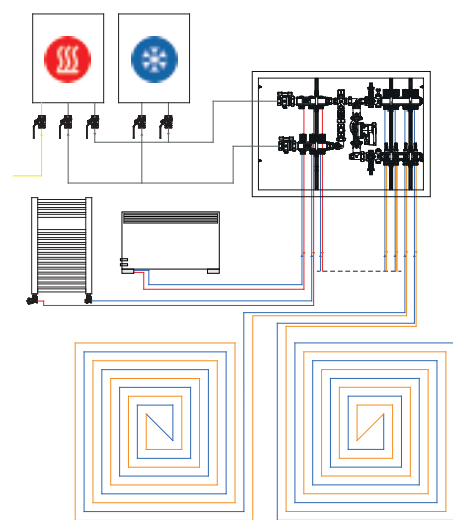
R559N

CÓDIGO	MEDIDA	€/ud	☐	☒
R559NY004	1" x18 /4	1.316,75	1	-
R559NY005	1" x18 /5	1.375,40	1	-
R559NY006	1" x18 /6	1.415,95	1	-
R559NY007	1" x18 /7	1.453,00	1	-
R559NY008	1" x18 /8	1.521,20	1	-
R559NY009	1" x18 /9	1.567,15	1	-
R559NY010	1" x18 /10	1.602,40	1	-
R559NY011	1" x18 /11	1.637,45	1	-
R559NY012	1" x18 /12	1.673,90	1	-

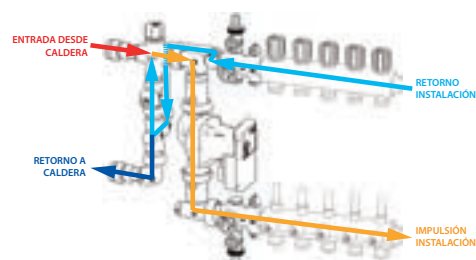
ACCESORIOS

CÓDIGO	MEDIDA	€/ud	☐	☒
R553AY002	1"	219,90	1	-
R553AY003	1"	254,15	1	-
GE550Y100	1"	147,55	1	-
R588RY010	35 mm	23,35	1	10

EJEMPLO DE INSTALACIÓN



ESQUEMA DE FLUJO



R559N-1

CÓDIGO	MEDIDA	€/ud	☐	☒
R559NY043	1"	413,95	1	-

Grupo de mezcla. Conexión de 1" para colector de distribución. Mezcla obtenida mediante válvula mezcladora de tres vías, modelo R298 (M30x1,5).

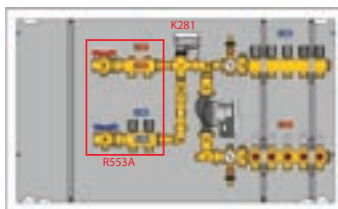
Rango de temperatura 5÷110°C.
Presión máxima de trabajo 10bar.

Formado por:

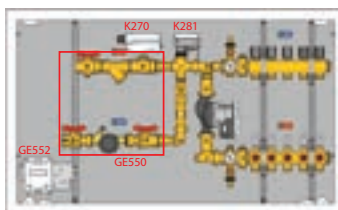
- Grupo de carga y descarga.
- Purgadores.
- Termómetros.
- Separador de plástico para instalación de circulador.
- Válvula mezcladora de tres vías, modelo R298 (conexión de actuador M30x1,5).



ACCESORIO - KIT SALIDAS ALTA TEMPERATURA



ACCESORIO - KIT CONTABILIZACIÓN



NOTAS

El control eléctrico todo/nada de los circuitos puede realizarse quitando los volantes manuales y montando los cabezales electrotermostáticos R473, R478 o R478M.

Para el equilibrado de circuitos utilizar la llave R558 o la llave R558N.

Para la conexión a tubo utilizar los adaptadores R178, R179 o R179AM.

Colector premontado con regulación electrónica a válvula mezcladora.

Conexión para tubo de cobre, plástico o multicapa. Alimentación con agua a alta temperatura (>70°C). El control de temperatura, de tipo electrónico, con el motor K281X012 (pedir por separado) gestionado por termoregulación Bus Giacomini (no incluida).

Rango de temperatura 5÷110°C.

Presión máxima de trabajo 10bar.

Caja metálica de 110mm de fondo y 605mm de altura.

Formado por:

- Conexión de 1"
- 1 colector de impulsión con detentores frontales para equilibrado dotados de memoria mecánica y caudalímetros (0,5÷5l/min).
- 1 colector de retorno con válvulas de corte accionadas por volante manual. Posibilidad de instalar cabezales electrotermostáticos.
- Grupo de carga y descarga.
- Purgadores.
- Termómetros.
- Circulador automodulante, conforme a la directiva ErP 2009/125/CE.
- Caja metálica con soportes.

Completar con:

- Aislamiento R559W.
- Kit de salidas a alta temperatura o contabilización.
- Actuador K281X012 y termoregulación KLIMABus.

INFORMACION

KIT DE SALIDAS A ALTA TEMPERATURA:
(completar el colector con los siguientes códigos):

R553AY002: kit alta temperatura de impulsión y retorno de 1" para 2 zonas (soporte incluido).

R553AY003: kit alta temperatura de impulsión y retorno de 1" para 3 zonas (soporte incluido).

KIT DE CONTABILIZACIÓN:

(completar el colector con los siguientes códigos):
GE550Y100: Kit de contabilización de impulsión y retorno 1" con filtro, válvula de zona y separador de plástico para instalación de contador. Instalar con soporte R588RY010.

Pedir por separado:

- Contador de energía térmica, modelo GE552.
- Motor para válvula de zona, modelo K270.

R559W

CÓDIGO	MEDIDA	€/ud	☐	☒
R559WY005	1"	112,55	1	-

Aislamiento el poliuretano expandido para colector premontado con regulación electrónica R559N.



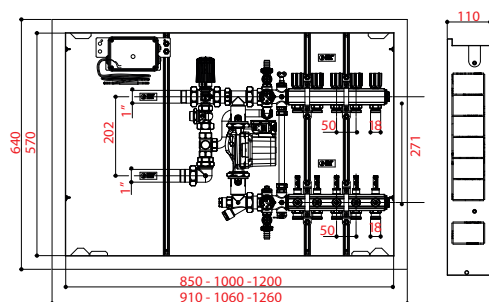
R557R-2

CÓDIGO	MEDIDA	€/ud	□	⊞
R557RY024	1" x 18 / 4	1.383,15	1	-
R557RY025	1" x 18 / 5	1.418,90	1	-
R557RY026	1" x 18 / 6	1.491,65	1	-
R557RY027	1" x 18 / 7	1.529,75	1	-
R557RY028	1" x 18 / 8	1.568,00	1	-
R557RY029	1" x 18 / 9	1.652,60	1	-
R557RY030	1" x 18 / 10	1.684,95	1	-
R557RY031	1" x 18 / 11	1.716,75	1	-
R557RY032	1" x 18 / 12	1.750,20	1	-

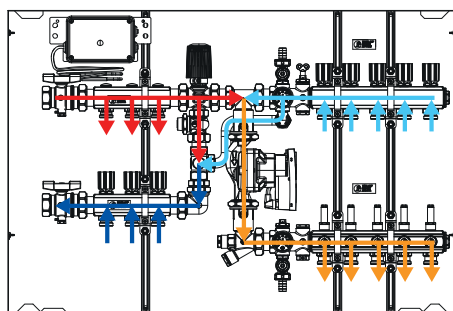
ACCESORIOS

CÓDIGO	MEDIDA	€/ud	□	⊞
R553AY002	1"	219,90	1	-
R553AY003	1"	254,15	1	-
GE550Y100	1"	147,55	1	-
R588RY010	35 mm	23,35	1	10

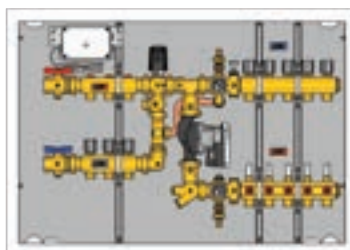
DIMENSIONES



ESQUEMA DE FLUJO



ACCESORIO - KIT SALIDAS ALTA TEMPERATURA



ACCESORIO - KIT CONTABILIZACIÓN



NOTAS

El control eléctrico todo/nada de los circuitos puede realizarse quitando los volante manual y montando los cabezales electrotermostáticos R473, R473, R478 o R478M.

Para el equilibrado de circuitos utilizar la llave R558 o la llave R558N.

Para la conexión a tubo utilizar los adaptadores R178, R179 o R179AM.

Colector premontado para instalación de calefacción, en latón, con regulación a punto fijo. Conexión para tubo de cobre, plástico o multicapa. Alimentación con agua a alta temperatura (>70°C). Mezcla obtenida mediante válvula de tres vías con cabezal termostático R462L.

Rango de temperatura 5÷110°C.

Presión máxima de trabajo 10bar.

Formado por:

- 1 colector de impulsión con dettores frontales para equilibrado dotados de memoria mecánica y caudalímetros (0,5÷5l/min).
- 1 colector de retorno con válvulas de corte accionadas por volante manual. Posibilidad de instalar cabezales electrotermostáticos.
- Termostato de seguridad K373.
- Grupo de carga y descarga.
- Purgadores.
- Termómetros.
- Circulador automodulante, conforme a la directiva ErP 2009/125/CE.
- Caja metálica con soportes.

Completar con:

- Aislamiento R557W.
- Kit de salidas a alta temperatura o contabilización.

INFORMACION

KIT DE SALIDAS A ALTA TEMPERATURA:

(completar el colector con los siguientes códigos):

R553AY002: kit alta temperatura de impulsión y retorno de 1" para 2 zonas (soporte incluido).

R553AY003: kit alta temperatura de impulsión y retorno de 1" para 3 zonas (soporte incluido).

KIT DE CONTABILIZACIÓN:

(completar el colector con los siguientes códigos):

GE550Y100: Kit de contabilización de impulsión y retorno 1" con filtro, válvula de zona y separador de plástico para instalación de contador. Instalar con soporte R588RY010.

Pedir por separado:

- Contador de energía térmica, modelo GE552.
- Motor para válvula de zona, modelo K270.

R557R-1

CÓDIGO	MEDIDA	€/ud	□	⊞
R557RY042	-	678,80	1	1

Grupo de mezcla a punto fijo, en latón. Conexión de 1" para colector de distribución. Mezcla obtenida mediante válvula de tres vías con cabezal termostático R462L. Rango de temperatura 5÷110°C. Presión máxima de trabajo 10bar.

Formado por:

- Grupo de carga y descarga.
- Purgadores.
- Termómetros.
- Circulador automodulante, conforme a la directiva ErP 2009/125/CE.



R557W

CÓDIGO	MEDIDA	€/ud	□	⊞
R557WY025	1"	101,35	1	-

Aislamiento el poliuretano expandido para colector premontado a punto fijo R557R-2.



> CABEZALES ELECTROTÉRMICOS

R473

CÓDIGO	MEDIDA	€/ud	□	⊞
R473X221	230Vac	41,00	1	25
R473X222	24Vac	41,00	1	25

Cabezal electrotérmico normalmente cerrado para válvula termostatizable, colector y válvula de zona serie R291, R292, R292E.

Conexión con unión rápida mediante anillo de fijación (incluido).

Visualizador mecánico de posición.

Manguera de dos hilos.

Grado de protección IP40.

Rango de temperatura ambiente -5÷50°C.

NOTAS

Longitud de manguera: 1m.

INFORMACION

Cabezal con nuevo sensor electrotérmico de bajo consumo energético.



R478M

CÓDIGO	MEDIDA	€/ud	□	⊞
R478MX221	230Vac	50,00	1	25
R478MX222	24Vac	50,00	1	25
R478VX231	230Vac	50,00	1	25

Cabezal electrotérmico normalmente abierto con final de carrera para válvula termostatizable y colector.

Conexión con unión rápida mediante anillo de fijación (incluido).

Visualizador mecánico de posición.

Manguera de cuatro hilos. Longitud 1,5m.

Grado de protección IP40.

Rango de temperatura ambiente -5÷50°C.

NOTAS

R478VX231: con varistor.



R473M

CÓDIGO	MEDIDA	€/ud	□	⊞
R473MX221	230Vac	50,00	1	25
R473MX222	24Vac	50,00	1	25

Cabezal electrotérmico normalmente cerrado con final de carrera para válvula termostatizable, colector y válvula de zona serie R291, R292, R292E.

Conexión con unión rápida mediante anillo de fijación (incluido).

Visualizador mecánico de posición.

Manguera de cuatro hilos.

Grado de protección IP40.

Rango de temperatura ambiente -5÷50°C.

NOTAS

Longitud de manguera: 1m.

INFORMACION

Cabezal con nuevo sensor electrotérmico de bajo consumo energético.



R453

CÓDIGO	MEDIDA	€/ud	□	⊞
R453Y002	-	0,78	1	-

Anillo para fijación de cabezal electrotérmico R473/M o R478/M en válvula termostatizable, colector o válvula de zona.

NOTAS

Recambio incluido en cabezal electrotérmico.



R453F

CÓDIGO	MEDIDA	€/ud	□	⊞
R453FY002	-	0,76	1	100

Anillo para fijación de cabezal electrotérmico R473/M o R478/M en colector R553FP.

NOTAS

Recambio incluido en colector R553FP.



R478

CÓDIGO	MEDIDA	€/ud	□	⊞
R478X221	230Vac	49,00	1	25
R478X222	24Vac	49,00	1	25
R478VX221	230Vac	74,00	1	25

Cabezal electrotérmico normalmente abierto para válvula termostatizable y colector. Conexión con unión rápida mediante anillo de fijación (incluido).

Visualizador mecánico de posición.

Manguera de dos hilos. Longitud 1,5m.

Grado de protección IP40.

Rango de temperatura ambiente -5÷50°C.

NOTAS

R478VX221: con varistor.



> VÁLVULAS DE ZONA

R276

CÓDIGO	MEDIDA	€/ud	□	⊞
R276Y004	3/4"	25,25	1	25
R276Y005	1"	35,10	1	25

Válvula de zona a esfera, de dos vías, motorizable. Conexiones hembra. Temperatura máxima de trabajo 110°C. Presión máxima de trabajo 10bar.

NOTAS

Combinar con el motor K270 o K272 (no incluido).



R277

CÓDIGO	MEDIDA	€/ud	□	⊞
R277Y004	3/4"	32,30	1	25
R277Y025	1"	35,65	1	10

Válvula de zona a esfera, de dos vías, motorizable. Conexiones macho con enlace. Temperatura máxima de trabajo 110°C. Presión máxima de trabajo 10bar.

NOTAS

Combinar con el motor K270 o K272 (no incluido).



R278

CÓDIGO	MEDIDA	€/ud	□	⊞
R278Y004	3/4"	72,15	1	10
R278Y005	1"	100,05	1	10

Válvula de zona a esfera, de tres vías, motorizable. Conexiones macho con enlace. Temperatura máxima de trabajo 110°C. Presión máxima de trabajo 10bar.

NOTAS

Combinar con el motor K270 o K272 (no incluido).



R279

CÓDIGO	MEDIDA	€/ud	□	⊞
R279Y004	3/4"	63,60	1	-
R279Y005	1"	77,10	1	-

Válvula de zona a esfera, de tres vías, motorizable. Conexiones hembra. Temperatura máxima de trabajo 110°C. Presión máxima de trabajo 10bar.

NOTAS

Combinar con el motor K270 o K272 (no incluido).



K270

CÓDIGO	MEDIDA	€/ud	□	⊞
K270Y101	230Vac	110,30	1	-
K270Y102	24Vac	115,00	1	-

Actuador para control de válvula de zona R276, R277, R278, R279 y desviadora R279D. Incluye microinterruptor final de carrera. Alimentación a 230Vac o 24Vac (según versión). Tiempo de maniobra: rotación de 90° en aproximadamente 40 segundos. Grado de protección IP54. Condiciones ambiente de funcionamiento -5÷55°C. Dispone de indicador de la posición apertura/cierre.



K272

CÓDIGO	MEDIDA	€/ud	□	⊞
K272Y101	230Vac	168,00	1	-
K272Y102	24Vac	175,05	1	-

Actuador para control de válvula de zona R276, R277, R278, R279 y desviadora R279D. Incluye accionamiento manual y microinterruptor final de carrera.

Alimentación a 230Vac o 24Vac (según versión).

Tiempo de maniobra: rotación de 90° en aproximadamente 60 segundos.

Grado de protección IP65.

Condiciones ambiente de funcionamiento -5÷55°C.

Par máximo 18Nm.

NOTAS

Actuador utilizado en válvula de zona R276B.



R291

CÓDIGO	MEDIDA	€/ud	□	⊞
R291Y004	3/4"	29,90	1	10
R291Y005	1"	30,75	1	10

Válvula de zona a pistón, de dos vías, para control con cabezal electrotérmico. Conexiones macho con enlace.

Temperatura máxima de trabajo 110°C.

Presión máxima de trabajo 10bar.

NOTAS

Actuador compatible: R473 o R478 (no incluido)



R292E

CÓDIGO	MEDIDA	€/ud	□	⊞
R292EY004	3/4"	58,05	1	10
R292EY005	1"	69,15	1	10

Válvula de zona a pistón, de tres vías, para control con cabezal electrotérmico. Conexiones macho con enlace excéntrico.

Incluye detentor de equilibrado y enlace excéntrico P15E para adaptar separación de salidas (según versión).

Temperatura máxima de trabajo 110°C.

Presión máxima de trabajo 10bar.

NOTAS

Actuador compatible: R473 o R478 (no incluido)



R292

CÓDIGO	MEDIDA	€/ud	□	⊞
R292Y004	3/4"	53,45	1	-
R292Y005	1"	60,45	1	-

Válvula de zona a pistón, de tres vías, para control con cabezal electrotérmico. Conexiones macho con enlace.

Incluye detentor de equilibrado y enlace excéntrico P15E para adaptar separación de salidas (según versión).

Temperatura máxima de trabajo 110°C.

Presión máxima de trabajo 10bar.

NOTAS

R292Y004-5: sin enlace excéntrico para montaje directo con R587B de 1".

Actuador compatible: R473 o R478 (no incluido)



P15E

CÓDIGO	MEDIDA	€/ud	□	⊞
P15EY004	1" x 3/4	6,00	1	15
P15EY005	1" x 1"	6,45	1	15

Enlace macho excéntrico para válvula de zona R291 y R292.

INFORMACION

Accesorio de las Válvulas R292/R292E



R193K

CÓDIGO	MEDIDA	€/ud	□	⊞
R193Y011	Ø18 - caja R500	12,45	1	50
R193Y021	Ø18 - caja R500-2	20,45	1	50

Kit tubo excéntrico para instalación de válvula de tres vías R278 y R292E.



> CAJAS COLECTOR

R500

CÓDIGO	MEDIDA	€/ud	□	⊞
R500Y101	400x460x110	88,90	1	-
R500Y102	600x460x110	101,30	1	-
R500Y103	800x460x110	122,70	1	-
R500Y104	1000x460x110	135,55	1	-



Caja metálica para empotrar en acero electrozincado, con puerta y marco en acero pintado.
Puerta con cierre por llave.

NOTAS

Las dimensiones útiles netas corresponden con: Largo x Alto x Profundidad

R500-2

CÓDIGO	MEDIDA	€/ud	□	⊞
R500Y221	400x650x85	123,60	1	-
R500Y222	600x650x85	139,40	1	-
R500Y223	800x650x85	165,05	1	-
R500Y224	1000x650x85	189,25	1	-
R500Y225	1200x650x85	217,05	1	-



Caja metálica para empotrar de profundidad y altura regulable, en acero electrozincado. Formado por:
- Puerta y marco en acero pintado.
- Soporte de suelo regulable en altura.
- Red metálica para enlucido.
- Puerta con cierre por llave.

NOTAS

Utilizar en combinación con colectores montados en soporte R588Z.

Las dimensiones útiles netas corresponden con: Largo x Alto x Profundidad

INFORMACION

Embalaje de espesor reducido (solo 10cm) para reducción de espacio y protección contra daños en transporte.
Montaje rápido y sencillo en obra.

R588D

CÓDIGO	MEDIDA	€/ud	□	⊞
R588DY001	DN32	9,55	1	20

Soporte metálico para colector modular DN32.
Compatible con caja R500.
Incluye aislamiento en abrazaderas.



R588Z

CÓDIGO	MEDIDA	€/ud	□	⊞
R588ZY001	3/4-1-11/4	10,60	1	50

Soporte metálico rebajado para colector R553D, R553F.
Compatible con caja R500-2.
Incluye aislamiento en abrazaderas.



SISTEMA KLIMA WALL



PORQUÉ ELEGIRLO?

- Ideal para todas las instalaciones donde no es posible instalar otro sistema radiante
- Distribución homogénea de calor.
- Inercia térmica reducida.
- Facilidad de montaje.
- Tubo con diámetro exterior de 16 a 17mm.

Klimawall es un sistema radiante a pared aplicable en los contextos donde no sea posible la instalación de otro sistema radiante o como es más habitual cuando sea necesario un apoyo al sistema radiante principal.

diámetro tubo [mm]	paso [mm]
12 - 15	múltiple de 100
16 - 18	múltiple de 50
20	múltiple de 100

B binario + tubo [mm]	C espesor mínimo yeso [mm]	espesor mínimo B + C otras paredes A [mm]
28	10	~ 40



K389W

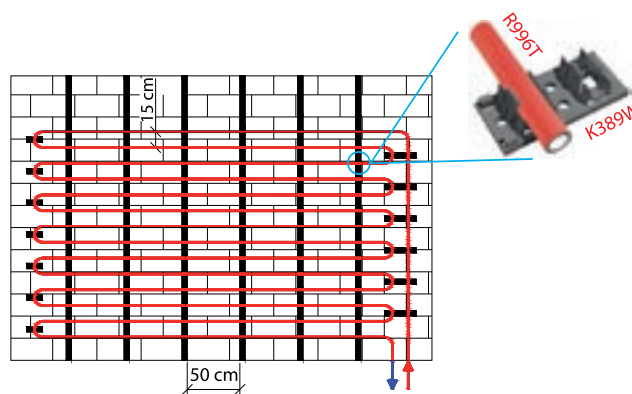
CÓDIGO	MEDIDA	€/m	□	⊞
K389WY001	Ø 12-22	5,95	1	100

Rail posicionador de tubo, con sistema de enganche rápido, para instalaciones de suelo radiante o paredes radiantes.

Paso múltiple de 50 o 100mm.



Esquema de realización pared radiante





A piece of life

TECHO RADIANTE GIACOMINI, SISTEMA GKCS YESO LAMINADO

EL SISTEMA RADIANTE POR TECHO INVISIBLE, IDEAL PARA REFORMAS Y OBRA NUEVA



El techo radiante de yeso laminado giacoklima se plantea como una solución simple, racional e innovadora para la climatización de los edificios, al objeto de satisfacer las mejores exigencias.

Un sistema que aporta ventajas basadas en una larga experiencia y del reforzado know-how de Giacomini, en realizaciones de componentes y sistemas para la distribución de calefacción y refrigeración. *Giacomini, a piece of life.*

> SISTEMAS DE TECHO RADIANTE

Para más info, consultar el catálogo SISTEMAS DE TECHO RADIANTE



PANELES RADIANTES METALICOS

SISTEMA GK120



PORQUÉ ELEGIRLO?

- Indicado particularmente para ambientes diáfanos.
- Sencilla integración de luminarias.
- Disponibilidad de paneles y portantes pretroquelados.
- Estructura portante de tipo cruzado.
- Registrable por completo.
- Dos sistemas de activación.
- Sistema personalizable bajo demanda.

GK120 es un sistema de techo radiante metálico indicado para calefacción y/o refrescamiento en ambientes abiertos como oficinas, hall, zonas de uso comercial, aeropuertos, escuelas. Se caracteriza por su modularidad en paneles de 1200x1200mm y estructura portante cruzada.

El sistema de cuelgue de la estructura asegura una perfecta planaridad y horizontalidad del techo radiante. Los paneles pueden ser microperforados o lisos. La compensación lateral se realiza habitualmente en cartón-yeso.

SISTEMA GK60



PORQUÉ ELEGIRLO?

- Indicado particularmente para ambientes diáfanos medianos/pequeños.
- Disponibilidad de paneles pretroquelados para luminarias.
- Estructura portante compuesta de portante y cabecera de acabado.
- Estructura portante de tipo paralelo.
- Registrable por completo.
- Dos sistemas de activación.
- Sistema personalizable bajo demanda.

GK60 es un sistema de techo radiante metálico muy versátil, adaptado para calefacción y/o refrescamiento en ambientes abiertos como en zonas de dimensiones medianas/reducidas: oficinas, salas de reuniones, hospitales. Se caracteriza por su modularidad en paneles de 1200x600mm y estructura portante paralela con elementos de cabecera.

El sistema de cuelgue de la estructura asegura una perfecta planaridad y horizontalidad del techo radiante. Los paneles pueden ser microperforados o lisos. La compensación lateral se realiza habitualmente en cartón-yeso.

PANELES RADIANTES EN CARTON-YESO

SISTEMA GKC



PORQUÉ ELEGIRLO?

- Indicado para aplicaciones residenciales o similares.
- Posibilidad de integración en el falso techo
- Sin colectores de distribución incrustados en la pared.
- Colectores de distribución instalados en escotillas inspeccionables.
- Sistema con baja pérdida de carga.

GKC es un sistema de techo radiante con acabado en cartón yeso particularmente indicado para calefacción y/o refrescamiento de edificios residenciales, hospitales, locales comerciales y en general edificios que necesiten un acabado de falso techo tipo residencial. Los paneles preensamblados de la serie GKC se caracterizan por un sistema activo, incorporado en los paneles, compuesto por difusores térmicos de aluminio anodizado y tubo de cobre en serpentín de 16x1 mm.

Cubre las geometrías más complejas gracias a su variada diversidad de medidas disponibles: 600x2000, 1200x1000 y 1200x2000mm.

SISTEMA GK60x120 PSV



PORQUÉ ELEGIRLO?

- Indicado para todo tipo de ambientes.
- Estructura portante cruzada de tipo T24.
- Rapidez de instalación.
- Registrable por completo.
- Dos sistemas de activación.
- Sistema personalizable bajo demanda.

GK60x120 PSV es un sistema de techo radiante metálico idóneo para aplicaciones de calefacción y/o refrescamiento en ambientes de dimensiones medias en el ámbito terciario.

Se caracteriza por su modularidad de paneles 600x1200mm y una estructura portante en T base 24mm vista, tipo cruzado. El sistema de cuelgue de la estructura asegura una perfecta planaridad y horizontalidad del techo radiante. Los paneles pueden ser microperforados o lisos.

La compensación lateral se realiza habitualmente en cartón-yeso, con paneles inactivos cortados a medida.

SISTEMA GK60x60 PSV



PORQUÉ ELEGIRLO?

- Indicado para todo tipo de ambientes
- Estructura portante cruzada de tipo T24.
- Rapidez de instalación
- Registrable por completo.
- Dos sistemas de activación.
- Permite cubrir cargas térmicas más elevadas.
- Sistema personalizable bajo demanda.

GK60x60 PSV es un sistema de techo radiante metálico perfecto para aplicaciones de calefacción y/o refrescamiento en ambientes de dimensiones pequeñas/medias en el ámbito terciario.

Se caracteriza por su modularidad de paneles 600x600mm y una estructura portante en T base 24mm vista, tipo cruzado. El sistema de cuelgue de la estructura asegura una perfecta planaridad y horizontalidad del techo radiante. Los paneles pueden ser microperforados o lisos. La compensación lateral se realiza habitualmente en cartón-yeso, con paneles inactivos cortados a medida.

SISTEMA GKCS V.2.0



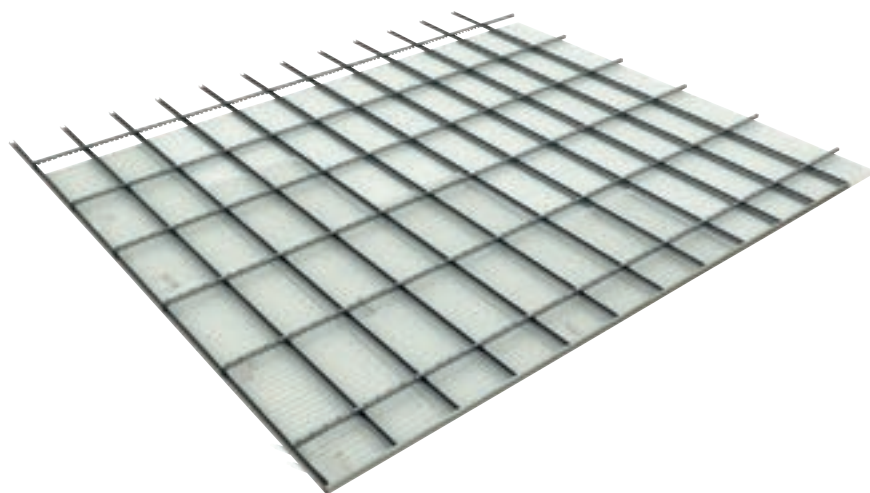
PORQUÉ ELEGIRLO?

- Indicado para aplicaciones residenciales o similares.
- Posibilidad de integrar equipos en el techo.
- Pared libre de colectores de distribución.
- Colectores de distribución instalables en registros inspeccionables

GKCS V2.0 es un sistema de techo radiante formado por paneles pre ensamblados con acabado en cartón yeso. Idóneo para calefacción y/o refrescamiento en edificios residenciales, hoteles, zonas comerciales y de forma más general en edificios que requieran un techo de acabado de obra civil. Los paneles de la serie GKCS V2.0 se caracterizan por un sistema de activación, incorporado en panel, formado por circuitos hidráulicos con tubo Pex de 8x1mm.

El sistema GKCS V2.0 permite cubrir gran parte de la superficie, incluso en geometrías complejas, gracias a la variada diversidad de medidas disponibles: 600x1200, 600x2000 y 1200x2000mm.

> TECHO RADIANTE EN CARTÓN YESO



GKCS V.2.0 es un sistema de techo radiante con acabado en cartón yeso, indicado para calefacción y refrescamiento en locales de dimensiones medianas o reducidas como viviendas, hospitales, hoteles, pensiones, residencias y locales comerciales. El sistema está compuesta de paneles activos e inactivos, estructura portante y material de conexión. Los paneles de la serie GKCS V2. Están contruidos en una base de cartón yeso de 15mm con un aislamiento superior en poliestireno expandido sinterizado (EPS) de 30mm; integrado en el cartón yeso, en el lado superior, se encuentran uno o dos circuitos hidráulicos con tubo de PEX de 8x1. El sistema permite cubrir una parte importante de la superficie del techo incluso en las geometrías más complejas, gracias a la diversidad dimensional de paneles, 600x2000, 600x1200 y 1200x2000mm.

Precio orientativo para una superficie radiante (activa) cercana al 80% de la superficie total

Se incluye: paneles activos e inactivos, estructura portante y sistema de suportación.

No se incluye: componentes de distribución (colectores, racores, tubos).

Para una valoración técnico-comercial detallada que tenga en cuenta los requisitos del proyecto (prestaciones térmicas y limitaciones estructurales) consultar con el departamento técnico de Giacomini.

SERIE TECHO RADIANTE	TIPO DE ACTIVACIÓN	EURO/m ²
GKCS V.2.0	PEX con BA0	78,00

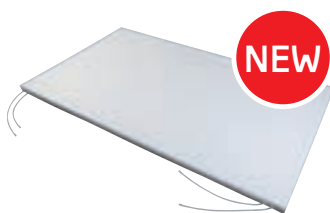
KS120

CARTÓN YESO ESTÁNDAR

CÓDIGO	DIMENSIONES [mm]	CIRCUITOS HIDRÁULICOS	PESO [kg]	€/ud.
KS120Y200	1200 x 2000 x 45	n. 2	30	168,55
KS120X300	1200 x 2000 x 45	ninguno (inactivo)	30	73,80

CARTÓN YESO HIDRÓFUGO

CÓDIGO	DIMENSIONES [mm]	CIRCUITOS HIDRÁULICOS	PESO [kg]	€/ud.
KS120I200	1200 x 2000 x 45	n. 2	30	Consultar
KS120I300	1200 x 2000 x 45	ninguno (inactivo)	30	Consultar



Panel de cartón yeso activo:

Formado por una capa de cartón yeso de 15mm y una capa de aislamiento térmico de 30mm en poliestireno expandido sinterizado (EPS). Activación por dos circuitos hidráulicos de 8x1mm con barrera antioxidígeno.

Disponible con dos tipos de cartón yeso; estándar o hidrófugo para aplicaciones en ambientes húmedos.

PANNELLO INATTIVO



Panel de cartón yeso inactivo:

Formado por una capa de cartón yeso de 15mm y una capa de aislamiento térmico de 30mm en poliestireno expandido sinterizado (EPS).

Disponible con dos tipos de cartón yeso; estándar o hidrófugo para aplicaciones en ambientes húmedos.

KS60

CARTÓN YESO ESTÁNDAR

CÓDIGO	DIMENSIONES [mm]	CIRCUITOS HIDRÁULICOS	PESO [kg]	€/ud.
KS60Y200	600 x 2000 x 45	n. 1	15	84,30
KS60Y120	600 x 1200 x 45	n. 1	9	50,60

CARTÓN YESO HIDRÓFUGO

CÓDIGO	DIMENSIONES [mm]	CIRCUITOS HIDRÁULICOS	PESO [kg]	€/ud.
KS60I200	600 x 2000 x 45	n. 1	15	Consultar
KS60I120	600 x 1200 x 45	n. 1	9	Consultar



Panel de cartón yeso activo:

Formado por una capa de cartón yeso de 15mm y una capa de aislamiento térmico de 30mm en poliestireno expandido sinterizado (EPS).

Activación por un circuito hidráulico de 8x1mm con barrera antioxidígeno.

Disponible con dos tipos de cartón yeso; estándar o hidrófugo para aplicaciones en ambientes húmedos.

RC102P

CÓDIGO	MEDIDA	€/ud		
RC102P009	20X2	13,25	1	200

Racor rápido "push fitting" recto, con estanqueidad en interior del tubo, dotado de bayoneta para conexión al tubo.

Conexión: tubo multicapa Ø20x2mm.

Temperatura de trabajo: -15°C con solución glicolada; máx. 80°C en trabajo continuado a 2bar; máx. 120°C para picos.

Presión de trabajo: mín 0bar; máx. 8bar a temperatura ambiente.

Presión de rotura: 25bar.



RC122P

CÓDIGO	MEDIDA	€/ud		
RC122P009	20X2	13,25	1	200

Racor rápido "push fitting" curvo 90°, con estanqueidad en interior del tubo, dotado de bayoneta para conexión al tubo.

Conexión: tubo multicapa Ø20x2mm.

Temperatura de trabajo: -15°C con solución glicolada; máx. 80°C en trabajo continuado a 2bar; máx. 120°C para picos.

Presión de trabajo: mín 0bar; máx. 8bar a temperatura ambiente.

Presión de rotura: 25bar.



RC151P

CÓDIGO	MEDIDA	€/ud		
RC151P053	20X2 /1	16,45	1	200
RC151P063	20X2 /2	20,00	1	200

Racor rápido "push fitting" en Te, con estanqueidad en interior del tubo, dotado de bayoneta para conexión al tubo.

Conexiones principales: tubo multicapa Ø20x2mm.

Conexiones centrales: tubo Pex de Ø8x1mm.

Temperatura de trabajo: -15°C con solución glicolada; máx. 80°C en trabajo continuado a 2bar; máx. 120°C para picos.

Presión de trabajo: mín 0bar; máx. 8bar a temperatura ambiente.

Presión de rotura: 25bar.



RC165P

CÓDIGO	MEDIDA	€/ud		
RC165P001	8X1	1,80	1	200
RC165P004	20X2	2,45	1	200

Tapón para racor rápido RC-P.



RC211P

CÓDIGO	MEDIDA	€/ud		
RC211P002	20-16-12-8	38,60	1	150

Plantilla para señalización de zona de corte en tubo para racores rápidos RC-P, RC y RS.



RC30P

CÓDIGO	MEDIDA	€/ud		
RC30P001	-	6,90	1	500

Kit de recambio para racor rápido 20x2mm.



RC51P

CÓDIGO	MEDIDA	€/ud		
RC51P001	-	2,45	1	500



Kit de recambio para racor rápido 8x1mm.





> TECHO RADIANTE EN CARTÓN YESO - TUBO Y ACCESORIOS

R999

TUBO EN ROLLO

CÓDIGO	MEDIDA	€/m		
R999Y142	20x2	2,15	100	-
R999Y143	20x2	2,15	200	-

TUBO EN BARRA

CÓDIGO	MEDIDA	€/m		
R999Y145	20X2	2,30	5	120



Tubería multicapa PEX-a/Al/PEX-a. Idóneo para instalaciones sanitarias, calefacción y refrescamiento.
Clase de aplicación 1, 2, 4 y 5.

R999I

CÓDIGO	MEDIDA	€/m		
R999IY140	20x2 aislamiento 13mm gris	3,95	50	-



Tubería multicapa PEX-a/Al/PEX-a con aislamiento térmico. Idóneo para instalaciones sanitarias, calefacción y refrescamiento.
Clase de aplicación 1, 2, 4 y 5.

R179AM

CÓDIGO	MEDIDA	€/ud		
R179MX026	18x(20x2,0)	3,35	25	250



Adaptador para tubo de plástico y multicapa en instalaciones hidráulicas. Conforme a la norma EN 1254-3.

Junta tórica negra conforme a la norma EN 681-1.
Rango de temperatura 5 ÷ 110 °C.
Presión máxima de trabajo 10bar.

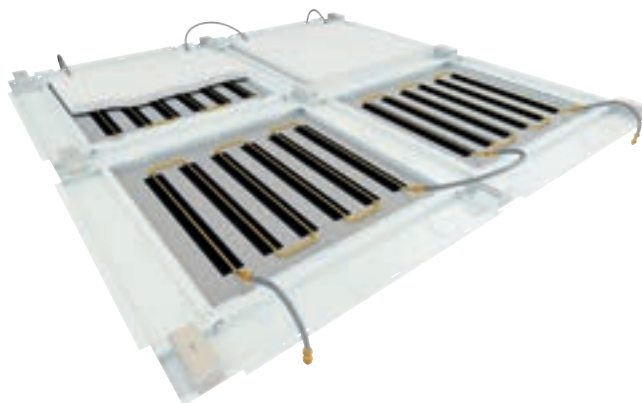
> TECHO RADIANTE METÁLICO SERIE GK

GK es un sistema de techo radiante metálico indicado para calefacción y refrescamiento en oficinas, hospitales, aeropuertos, locales comerciales, escuelas y edificios de sector terciario. El sistema está compuesto de paneles activos e inactivos en chapa de acero, portantes en chapa de acero y un sistema de suspensión mediante cuelgue rígido que permite obtener una planaridad y horizontalidad del techo. El sistema permite realizar un techo con dos tipos de modularidad: 600x1200mm (GK60, estructura paralela) y 1200x1200mm (GK120, estructura cruzada). A elegir, dos tipos de activación (C y A) permiten satisfacer las distintas necesidades térmicas. Los paneles de la serie GK son registrables, rotando las placas mediante ganchos fijados en la estructura, para abrir el techo y acceder al plenum para inspección o mantenimiento de otras instalaciones, incluso con el sistema en funcionamiento.

SERIE GK – Estructura paralela



SERIE GK120 – Estructura cruzada



Precio orientativo para una superficie radiante (activa) cercana al 80% de la superficie total

Se incluye: paneles activos e inactivos, estructura portante y sistema de suportación.

No se incluye: componentes de distribución (colectores, racores, tubos).

Para una valoración técnico-comercial detallada que tenga en cuenta los requisitos del proyecto (prestaciones térmicas y limitaciones estructurales) consultar con el departamento técnico de Giacomini.

SERIE TECHO RADIANTE	TIPO DE ACTIVACIÓN	EURO/m ²
GK60	A220	Consultar
	C75	Consultar
GK120	A220	Consultar
	C75	Consultar

K60

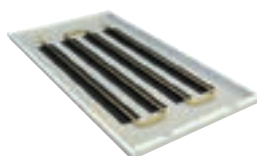
CÓDIGO	ACABADO	COLOR
K60X501	microperforado R2516	blanco RAL9010
K60LX501	liso	blanco RAL9010
K60X701	microperforado R2516	plata RAL9006
K60LX701	liso	plata RAL9006



Panel de 596x1030mm de tipo inactivo en chapa de acero 8/10 zincado y pintado al horno para instalación sobre estructura paralela vista. Disponible en versión lisa o microperforada. Apertura en rotación por medio de dos ganchos fijados en la misma estructura.

K60C

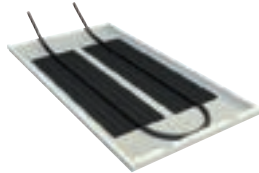
CÓDIGO	ACTIVACIÓN	ACABADO	COLOR
K60CX501	C75	microperforado R2516	blanco RAL9010
K60LX501	C75	liso	blanco RAL9010
K60CX701	C75	microperforado R2516	plata RAL9006
K60LX701	C75	liso	plata RAL9006



Panel de 596x1030mm de tipo activo en chapa de acero 8/10 zincado y pintado al horno para instalación sobre estructura paralela vista. Activación realizada con 4 difusores térmicos en aluminio anodizado de 75x700mm. Circuito hidráulico realizado con serpentín en cobre de 12x1mm. Disponible en versión lisa o microperforada. Apertura en rotación por medio de dos ganchos fijados en la misma estructura.

K60A

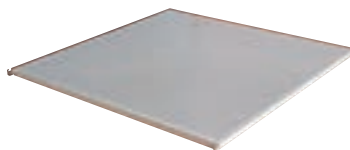
CÓDIGO	ACTIVACIÓN	ACABADO	COLOR
K60AX501	A220	microperforado R2516	blanco RAL9010
K60LAX501	A220	liso	blanco RAL9010
K60AX701	A220	microperforado R2516	plata RAL9006
K60LAX701	A220	liso	plata RAL9006



Panel de 596x1030mm de tipo activo en chapa de acero 8/10 zincado y pintado al horno para instalación sobre estructura paralela vista. Activación realizada con 2 difusores térmicos en aluminio anodizado de 220x700mm. Circuito hidráulico realizado con tubo de plástico de 16x1,5mm con barrera antioxidígeno. Disponible en versión lisa o microperforada. Apertura en rotación por medio de dos ganchos fijados en la misma estructura.

K120

CÓDIGO	ACABADO	COLOR
K120X501	microperforado R2516	blanco RAL9010
K120LX501	liso	blanco RAL9010
K120X701	microperforado R2516	plata RAL9006
K120LX701	liso	plata RAL9006



Panel de 1030x1030mm de tipo inactivo en chapa de acero 8/10 zincado y pintado al horno para instalación sobre estructura cruzada vista. Disponible en versión lisa o microperforada. Apertura en rotación por medio de dos ganchos fijados en la misma estructura.

K120C

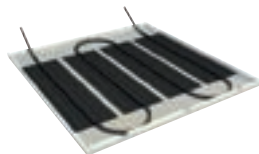
CÓDIGO	ACTIVACIÓN	ACABADO	COLOR
K120CX501	C75	microperforado R2516	blanco RAL9010
K120CX502	C75	liso	blanco RAL9010
K120CX701	C75	microperforado R2516	plata RAL9006
K120CX702	C75	liso	plata RAL9006



Panel de 1030x1030mm de tipo activo en chapa de acero 8/10 zincado y pintado al horno para instalación sobre estructura cruzada vista. Activación realizada con 6 difusores térmicos en aluminio anodizado de 75x700mm. Circuito hidráulico realizado con serpentín en cobre de 12x1mm. Disponible en versión lisa o microperforada. Apertura en rotación por medio de dos ganchos fijados en la misma estructura.

K120A

CÓDIGO	ACTIVACIÓN	ACABADO	COLOR
K120AX501	A220	microperforado R2516	blanco RAL9010
K120AX502	A220	liso	blanco RAL9010
K120AX701	A220	microperforado R2516	plata RAL9006
K120AX702	A220	liso	plata RAL9006



Panel de 1030x1030mm de tipo activo en chapa de acero 8/10 zincado y pintado al horno para instalación sobre estructura cruzada vista. Activación realizada con 4 difusores térmicos en aluminio anodizado de 220x700mm. Circuito hidráulico realizado con tubo de plástico de 16x1,5mm con barrera antioxidígeno. Disponible en versión lisa o microperforada. Apertura en rotación por medio de dos ganchos fijados en la misma estructura.

> TECHO RADIANTE METÁLICO SERIE GK PSV

GK PSV es un sistema de techo radiante metálico indicado para calefacción y refrescamiento en oficinas, hospitales, aeropuertos, locales comerciales, escuelas y edificios de sector terciario. El sistema está compuesto de paneles activos e inactivos en chapa de acero, portantes en chapa de acero en T de 24mm y un sistema de suspensión mediante cuelgue rígido y muelle de regulación milimétrica que permite obtener una planaridad y horizontalidad del techo. El sistema permite realizar un techo con dos tipos de modularidad: 600x600mm (GK60x60 PSV) y 600x1200mm (GK60x120 PSV). A elegir, dos tipos de activación (C y A) permiten satisfacer las distintas necesidades térmicas. Los paneles de la serie GK son registrables, descolgando las placas mediante alambres metálicos fijados en la estructura, para abrir el techo y acceder al plenum para inspección o mantenimiento de otras instalaciones, incluso con el sistema en funcionamiento.

SERIE GK60 x 60 PSV



SERIE GK60 x 120 PSV



Precio orientativo para una superficie radiante (activa) cercana al 80% de la superficie total

Se incluye: paneles activos e inactivos, estructura portante y sistema de suportación.

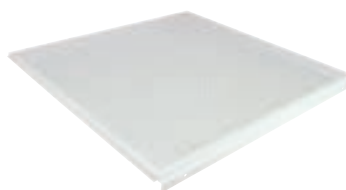
No se incluye: componentes de distribución (colectores, racores, tubos).

Para una valoración técnico-comercial detallada que tenga en cuenta los requisitos del proyecto (prestaciones térmicas y limitaciones estructurales) consultar con el departamento técnico de Giacomini.

SERIE TECHO RADIANTE	TIPO DE ACTIVACIÓN	EURO/m ²
GK60 x 60 PSV	A220	Consultar
	C75	Consultar
GK60 x 120 PSV	A220	Consultar
	C75	Consultar

K6

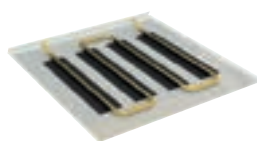
CÓDIGO	ACABADO	COLOR
K6X300	microperforado R2516	blanco RAL9003
K6LX300	liso	blanco RAL9003
K6X200	microperforado R2516	plata RAL9006
K6LX200	liso	plata RAL9006



Panel de 575x575mm de tipo inactivo en chapa de acero 6/10 zincado y pintado al horno para instalación sobre estructura en T base 24mm. Disponible en versión lisa o microperforada. Cuelge del panel por medio de dos cables metálicos fijados en la misma estructura en T

K6C

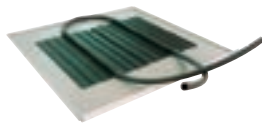
CÓDIGO	ACTIVACIÓN	ACABADO	COLOR
K6CX300	C75	microperforado R2516	blanco RAL9003
K6LCX300	C75	liso	blanco RAL9003
K6CX200	C75	microperforado R2516	plata RAL9006
K6LCX200	C75	liso	plata RAL9006



Panel de 575x575mm de tipo activo en chapa de acero 6/10 zincado y pintado al horno para instalación sobre estructura en T base 24mm. Activación realizada con 4 difusores térmicos en aluminio anodizado de 75x350mm. Circuito hidráulico realizado con serpentín en cobre de 12x1mm. Disponible en versión lisa o microperforada. Cuelge del panel por medio de dos cables metálicos fijados en la misma estructura en T.

K6A

CÓDIGO	ACTIVACIÓN	ACABADO	COLOR
K6AX300	A220	microperforado R2516	blanco RAL9003
K6LAX300	A220	liso	blanco RAL9003
K6AX200	A220	microperforado R2516	plata RAL9006
K6LAX200	A220	liso	plata RAL9006



Panel de 575x575mm de tipo activo en chapa de acero 6/10 zincado y pintado al horno para instalación sobre estructura en T base 24mm. Activación realizada con 2 difusores térmicos en aluminio anodizado de 220x350mm. Circuito hidráulico realizado con tubo de plástico de 16x1,5mm con barrera antioxidígeno. Disponible en versión lisa o microperforada. Cuelge del panel por medio de dos cables metálicos fijados en la misma estructura en T.

K12

CÓDIGO	ACABADO	COLOR
K12X300	microperforado R2516	blanco RAL9003
K12LX300	liso	blanco RAL9003
K12X200	microperforado R2516	plata RAL9006
K12LX200	liso	plata RAL9006



Panel de 575x1175mm de tipo inactivo en chapa de acero 6/10 zincado y pintado al horno para instalación sobre estructura en T base 24mm. Disponible en versión lisa o microperforada. Cuelge del panel por medio de dos cables metálicos fijados en la misma estructura en T.

K12C

CÓDIGO	ACTIVACIÓN	ACABADO	COLOR
K12CX300	C75	microperforado R2516	blanco RAL9003
K12LX300	C75	liso	blanco RAL9003
K12CX200	C75	microperforado R2516	plata RAL9006
K12LX200	C75	liso	plata RAL9006



Panel de 575x1175mm de tipo activo en chapa de acero 6/10 zincado y pintado al horno para instalación sobre estructura en T base 24mm. Activación realizada con 6 difusores térmicos en aluminio anodizado de 75x350mm. Circuito hidráulico realizado con serpentín en cobre de 12x1mm. Disponible en versión lisa o microperforada. Cuelge del panel por medio de dos cables metálicos fijados en la misma estructura en T.

NOTAS

Códigos K12L: panel liso, no microperforado.

Color blanco RAL 9003: Referencias terminadas en ...X300.

Color plata RAL 9006: Referencias terminadas en ...X200.

K12A

CÓDIGO	ACTIVACIÓN	ACABADO	COLOR
K12AX300	A220	microperforado R2516	blanco RAL9003
K12LAX300	A220	liso	blanco RAL9003
K12AX200	A220	microperforado R2516	plata RAL9006
K12LAX200	A220	liso	plata RAL9006



Panel de 575x1175mm de tipo activo en chapa de acero 6/10 zincado y pintado al horno para instalación sobre estructura en T base 24mm. Activación realizada con 2 difusores térmicos en aluminio anodizado de 220x700mm. Circuito hidráulico realizado con tubo de plástico de 16x1,5mm con barrera antioxidígeno. Disponible en versión lisa o microperforada. Cuelge del panel por medio de dos cables metálicos fijados en la misma estructura en T.

> TECHO RADIANTE METÁLICO GK Y PSV - TUBO Y ACCESORIOS

R986

CÓDIGO	MEDIDA	€/m	□	⊞
R986SY100	12x1,5	1,75	100	-
R986SY120	16x1,5	2,30	100	-
R986IY113	16X1,5 aislado	2,85	50	-



Tubo en polibutileno-1 homopolímero (PB-H) con barrera anti-oxígeno intermedia para instalaciones radiantes en calefacción y refrescamiento. Idóneo para clase de aplicación 4 y 5. Disponible con o sin aislamiento.

RC900

CÓDIGO	MEDIDA	€/ud	□	⊞
RC900Y011	12x1,5	0,26	1	50
RC900Y016	16x1,5	0,30	1	50

Casquillo de refuerzo para rácores rápidos "push fitting" RC y RS.
Utilizar para conexión de tubería plástica.



RC102

CÓDIGO	MEDIDA	€/ud	□	⊞
RC102X004	12	5,00	1	-
RC102X007	16	5,35	1	-

Rácor rápido "push fitting" recto, para tubo de plástico o cobre.
Rango de temperatura 5÷110°C.
Presión máxima de trabajo 10bar.



K85RS

CÓDIGO	MEDIDA	€/ud	□	⊞
K85RSY001	12 - 750mm	21,80	1	-
K85RSY003	12 - 900mm	23,35	1	-

Kit de conexión de paneles radiantes de techo con activación por cobre, formado por:
- Rácor RS "push fitting", desmontable y con anillo de seguridad para evitar escape accidental del tubo.
- Tubo flexible en butileno de baja permeabilidad al oxígeno, conforme a DIN 4726, con camisa de acero Inox trenzado.

Rango de temperatura 5÷90°C.
Presión máxima de trabajo 10bar.



DETALLE RACOR RS "PUSH FITTING"

RC122

CÓDIGO	MEDIDA	€/ud	□	⊞
RC122X004	12	5,60	1	-
RC122X007	16	5,85	1	-

Rácor rápido "push fitting" curvo, para tubo de plástico o cobre.
Rango de temperatura 5÷110°C.
Presión máxima de trabajo 10bar.



NOTAS

Para la conexión de tubería de plástico utilizar el casquillo de refuerzo RC900 correspondiente.

R179

CÓDIGO	MEDIDA	€/ud	□	⊞
R179X055	18X(12X1,5)	3,00	1	25
R179X077	18x(16x1,5)	2,95	25	250

Adaptador para tubo de plástico (para medidas no disponibles en la serie R179AM) en instalaciones hidráulicas. Conforme a la norma EN 1254-3.

Junta tórica negra conforme a la norma EN 681-1.

Rango de temperatura 5 ÷ 110 °C.
Presión máxima de trabajo 10bar.



RC150

CÓDIGO	MEDIDA	€/ud	□	⊞
RC150X007	16	8,40	1	-

Rácor rápido "push fitting" en Te, para tubo de plástico o cobre.
Rango de temperatura 5÷110°C.
Presión máxima de trabajo 10bar.



NOTAS

Para la conexión de tubería de plástico utilizar el casquillo de refuerzo RC900 correspondiente.

K375

CÓDIGO	MEDIDA	€/ud	□	⊞
K375Y011	2l	18,00	1	8

Aditivo anti-incrustante para instalaciones de techo radiante.

NOTAS

Concentración mínima 1l/100l agua de instalación (aprox. 2l/75m2 de techo radiante).



> TECHO RADIANTE - COLECTORES

R553FK

CÓDIGO	MEDIDA	€/ud	□	⊞
R553FK022	1"x18 /2	190,05	1	-
R553FK023	1"x18 /3	222,20	1	-
R553FK024	1"x18 /4	255,60	1	-
R553FK025	1"x18 /5	283,55	1	-
R553FK026	1"x18 /6	313,35	1	-
R553FK027	1"x18 /7	345,25	1	-
R553FK028	1"x18 /8	372,90	1	-
R553FK029	1"x18 /9	402,85	1	-
R553FK030	1"x18 /10	433,65	1	-
R553FK031	1"x18 /11	466,00	1	-
R553FK032	1"x18 /12	498,95	1	-



Kit de colector premontado y válvula multifunción para instalación de climatización. Caudalímetro por circuito (0,5÷5l/min). Conexión para tubo de cobre, plástico o multicapa.

Separación entre salidas de 50mm.

Rango de temperatura 5÷110°C.

Presión máxima de trabajo 10bar.

Formado por:

- 1 colector premontado R553F.

- 2 válvulas multifunción R269T con tapón terminal.

NOTAS

El control eléctrico todo/nada de los circuitos puede realizarse quitando los volantes manuales y montando los cabezales electrotrémicos R473, R473, R478 o R478M.

Para el equilibrado de circuitos utilizar la llave R558 o la llave R558N.

Para la conexión a tubo utilizar los adaptadores R178, R179 o R179AM.

INFORMACION

Los soportes que incorpora el colector son compatibles únicamente con las cajas R500, R501 y R502 (profundidad 110mm).

Para utilizar la caja R500-2 (profundidad regulable 85÷130mm) sustituir los soportes del colector por los R588ZY001 (pedir por separado).

R53VT

CÓDIGO	MEDIDA	€/ud	□	⊞
R53VTY006	1"x18xDN32	45,10	1	20
R53VTY007	1 1/4"x18xDN32	47,05	1	20

Par de elementos extremos de colector modular a bayoneta, de retorno, con válvula de corte accionada por volante manual. Posibilidad de instalar cabezales electrotrémicos.

Conexión para tubo de cobre, plástico o multicapa.

Separación entre salidas (elementos ensamblados) de 50mm.

Rango de temperatura 5÷110°C.

Presión máxima de trabajo 10bar.

NOTAS

El control eléctrico todo/nada de los circuitos puede realizarse quitando los volantes manuales y montando los cabezales electrotrémicos R473, R473, R478 o R478M.

Para la conexión a tubo utilizar los adaptadores R178, R179 o R179AM.



R53MT

CÓDIGO	MEDIDA	€/ud	□	⊞
R53MTY006	1"x18xDN32	48,10	1	20
R53MTY007	1 1/4"x18xDN32	51,25	1	20

Par de elementos extremos de colector modular a bayoneta, de impulsión, con detentores frontales para equilibrado dotados de memoria mecánica y caudalímetros (0,5÷5l/min).

Conexión para tubo de cobre, plástico o multicapa.

Separación entre salidas (elementos ensamblados) de 50mm.

Rango de temperatura 5÷110°C.

Presión máxima de trabajo 10bar.

NOTAS

Para el equilibrado de circuitos utilizar la llave R558 o la llave R558N.

Para la conexión a tubo utilizar los adaptadores R178, R179 o R179AM.



R53VM

CÓDIGO	MEDIDA	€/ud	□	⊞
R53VMY006	DN32x18	27,25	1	20

Elemento intermedio de colector modular a bayoneta, de retorno, con válvula de corte accionada por volante manual. Posibilidad de instalar cabezales electrotérmicos.

Conexión para tubo de cobre, plástico o multicapa.

Separación entre salidas (elementos ensamblados) de 50mm.

Rango de temperatura 5÷110°C.

Presión máxima de trabajo 10bar.

NOTAS

El control eléctrico todo/nada de los circuitos puede realizarse quitando los volantes manuales y montando los cabezales electrotérmicos R473, R473, R478 o R478M.

Para la conexión a tubo utilizar los adaptadores R178, R179 o R179AM.



R53MM

CÓDIGO	MEDIDA	€/ud	□	⊞
R53MMY006	DN32x18	27,35	1	20

Elemento intermedio de colector modular a bayoneta, de impulsión, con detentores frontales para equilibrado dotados de memoria mecánica y caudalímetros (0,5÷5l/min). Conexión para tubo de cobre, plástico o multicapa.

Separación entre salidas (elementos ensamblados) de 50mm.

Rango de temperatura 5÷110°C.

Presión máxima de trabajo 10bar.

NOTAS

Para el equilibrado de circuitos utilizar la llave R558 o la llave R558N.

Para la conexión a tubo utilizar los adaptadores R178, R179 o R179AM.



R553W-2

CÓDIGO	MEDIDA	€/ud	□	⊞
R553WY001	1"	56,75	1	-
R553WY005	1 1/4"	56,75	1	-
R553WY003	1"	56,75	1	-
R553WY007	1 1/4"	56,75	1	-

Conjunto de aislamiento para impulsión y retorno de colectores R553D y R553F o modulares DN32 con máximo de 12 salidas.

NOTAS

R553WY001: Para colector en barra R553F de 1", máximo 12 salidas.

R553WY003: Para colector en barra R553D de 1", máximo 12 salidas.

R553WY005: Para colector en barra R553F de 1 1/4" o modulares R53MM, R53MT, R53VM, R53VT de 1" y 1 1/4", máximo 12 salidas.

R553WY007: Para colector en barra R553D de 1 1/4" o modulares R53SM, R53ST, R53VM, R53VT de 1" y 1 1/4", máximo 12 salidas.



R553W

CÓDIGO	MEDIDA	€/ud	□	⊞
R553WY002	1"	47,00	1	-
R553WY006	1 1/4"	50,45	1	-
R553WY004	1"	47,00	1	-
R553WY008	1 1/4"	50,45	1	-
R553WY012	1"	49,85	1	-
R553WY016	1 1/4"	49,85	1	-
R553WY014	1"	49,85	1	-
R553WY018	1 1/4"	49,85	1	-

Conjunto de aislamiento formado por:

- 2 coquillas aislantes para grupo intermedio R554D con válvula de esfera R259D o en alternativa para válvula multifunción R269T.
- Aislamiento para tapón terminal.

NOTAS

R553WY002: Coquilla de aislamiento para grupo intermedio R554D + válvula de esfera R259D, tapón terminal para colector en barra R553F de 1" o colector modular R53MT + R53VT de 1".

R553WY004: Coquilla de aislamiento para grupo intermedio R554D + válvula de esfera R259D, tapón terminal para colector en barra R553D de 1" o colector modular R53ST + R53VT de 1".

R553WY006: Coquilla de aislamiento para grupo intermedio R554D + válvula de esfera R259D, tapón terminal para colector en barra R553F de 1 1/4" o colector modular R53MT + R53VT de 1 1/4".

R553WY008: Coquilla de aislamiento para grupo intermedio R554D + válvula de esfera R259D, tapón terminal para colector en barra R553D de 1 1/4" o colector modular R53ST + R53VT de 1 1/4".

R553WY012: Coquilla de aislamiento para válvula multifunción R269T y tapón terminal para colector en barra R553F de 1" o colector modular R53MT + R53VT de 1".

R553WY014: Coquilla de aislamiento para válvula multifunción R269T y tapón terminal para colector en barra R553D de 1" o colector modular R53ST + R53VT de 1".

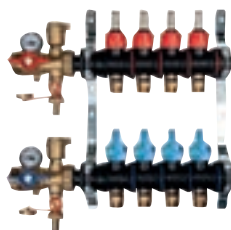
R553WY016: Coquilla de aislamiento para válvula multifunción R269T y tapón terminal para colector en barra R553F de 1 1/4" o colector modular R53MT + R53VT de 1 1/4".

R553WY018: Coquilla de aislamiento para válvula multifunción R269T y tapón terminal para colector en barra R553D de 1 1/4" o colector modular R53ST + R53VT de 1 1/4".



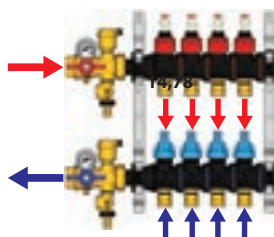
R553FP

CÓDIGO	MEDIDA	€/ud	☐	☒
R553FP022	1"x18 /2	178,35	1	-
R553FP023	1"x18 /3	210,00	1	-
R553FP024	1"x18 /4	237,30	1	-
R553FP025	1"x18 /5	264,65	1	-
R553FP026	1"x18 /6	292,00	1	-
R553FP027	1"x18 /7	319,30	1	-
R553FP028	1"x18 /8	342,00	1	-
R553FP029	1"x18 /9	371,30	1	-
R553FP030	1"x18 /10	400,95	1	-
R553FP031	1"x18 /11	431,95	1	-
R553FP032	1"x18 /12	461,60	1	-

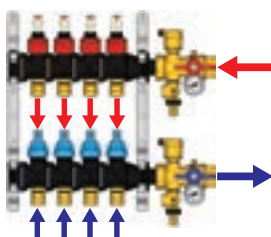


ESQUEMA DE FLUJO

ENTRADA A IZQUIERDA



ENTRADA A DERECHA



Colector modular premontado con caudalímetro, fabricado en tecnopolímero.

Separación entre salidas de 50mm.

Rango de temperatura 5÷60°C (100°C para breves periodos de tiempo).

Presión máxima de trabajo 6bar (10bar para prueba de presión).

Formado por:

- 1 colector de impulsión en tecnopolímero con caudalímetros (doble escala: 0,5÷5l/min y GPM) con función de regulación/corte de fluido.

- 1 colector de retorno en tecnopolímero con válvulas de corte accionadas por volante manual. Posibilidad de instalar cabezales electrotrémicos acoplado anillo M30x1,5.

- Estanteidad con doble junta en EPDM.

- Soportes metálicos R588Z.

- 2 válvulas multifunción R269T en latón, con conexión de 1" (impulsión y retorno).

NOTAS

Conexión: 1" (R269T) x DN32 (colector) x base 18 (circuitos).

El control eléctrico todo/nada de los circuitos puede realizarse quitando los volantes manuales y montando los cabezales electrotrémicos R473, R473, R478 o R478M.

Para la conexión a tubo utilizar los adaptadores R178, R179 o R179AM.

INFORMACION

Los soportes que incorpora el colector son compatibles únicamente con la caja R500-2 (profundidad regulable 85÷130mm).

P553FP

CÓDIGO	MEDIDA	€/ud	☐	☒
P553PY001	módulo entrada + clip	15,15	1	-
P553PY004	módulo tapón + clip	11,55	1	-
P553PY008	impulsión con caudalímetro+clip	17,35	1	-
P553PY009	retorno con válvula + clip	18,55	1	-
P553PY020	clip rojo impulsión	1,19	1	-
P553PY021	clip azul retorno	1,19	1	-
P553PY022	clip negro entrada/tapón	1,19	1	-
P553PY023	clip negro salida base 18	0,49	1	-



Módulos y accesorios para colector en tecnopolímero modelo R553FP.

R473

CÓDIGO	MEDIDA	€/ud	☐	☒
R473X221	230Vac	41,00	1	25
R473X222	24Vac	41,00	1	25

Cabezal electrotérmico normalmente cerrado para válvula termostatizable, colector y válvula de zona serie R291, R292, R292E.

Conexión con unión rápida mediante anillo de fijación (incluido).

Visualizador mecánico de posición.

Manguera de dos hilos.

Grado de protección IP40.

Rango de temperatura ambiente -5÷50°C.

NOTAS

Longitud de manguera: 1m.

INFORMACION

Cabezal con nuevo sensor electrotérmico de bajo consumo energético.



R478M

CÓDIGO	MEDIDA	€/ud	☐	☒
R478MX221	230Vac	50,00	1	25
R478MX222	24Vac	50,00	1	25
R478VX231	230Vac*	50,00	1	25

Cabezal electrotérmico normalmente abierto con final de carrera para válvula termostatizable y colector.

Conexión con unión rápida mediante anillo de fijación (incluido).

Visualizador mecánico de posición.

Manguera de cuatro hilos. Longitud 1,5m.

Grado de protección IP40.

Rango de temperatura ambiente -5÷50°C.

NOTAS

R478VX231: con varistor.



R473M

CÓDIGO	MEDIDA	€/ud	☐	☒
R473MX221	230Vac	50,00	1	25
R473MX222	24Vac	50,00	1	25

Cabezal electrotérmico normalmente cerrado con final de carrera para válvula termostatizable, colector y válvula de zona serie R291, R292, R292E.

Conexión con unión rápida mediante anillo de fijación (incluido).

Visualizador mecánico de posición.

Manguera de cuatro hilos.

Grado de protección IP40.

Rango de temperatura ambiente -5÷50°C.

NOTAS

Longitud de manguera: 1m.

INFORMACION

Cabezal con nuevo sensor electrotérmico de bajo consumo energético.



R453

CÓDIGO	MEDIDA	€/ud	☐	☒
R453Y002	-	0,78	1	-

Anillo para fijación de cabezal electrotérmico R473/M o R478/M en válvula termostatizable, colector o válvula de zona.

NOTAS

Recambio incluido en cabezal electrotérmico.



R453F

CÓDIGO	MEDIDA	€/ud	☐	☒
R453FY002	-	0,76	1	100

Anillo para fijación de cabezal electrotérmico R473/M o R478/M en colector R553FP.

NOTAS

Recambio incluido en colector R553FP.



R478

CÓDIGO	MEDIDA	€/ud	☐	☒
R478X221	230Vac	49,00	1	25
R478X222	24Vac	49,00	1	25
R478VX221	230Vac	74,00	1	25

Cabezal electrotérmico normalmente abierto para válvula termostatizable y colector.

Conexión con unión rápida mediante anillo de fijación (incluido).

Visualizador mecánico de posición.

Manguera de dos hilos. Longitud 1,5m.

Grado de protección IP40.

Rango de temperatura ambiente -5÷50°C.

NOTAS

R478VX221: con varistor.



> REGULACIÓN STAND-ALONE

Sistema de termostatación STAND ALONE

Características principales.

Familia de cronotermostatos y termostatos ambiente, de instalación encastada o de superficie, para control de cabezales electrotérmicos o de válvulas de zona en el sistema radiante de calefacción y/o refrescamiento.

Pueden controlar, además del sistema radiante, unidades de tratamiento de aire como fancoils o deshumidificadores.

Alimentación eléctrica, según versión, a 230Vac o a pilas alcalinas tipo AA y AAA.

Entre las características principales, destacamos:

- Tecnología y estética actual.
- Pantalla gráfica con retroiluminación azul (para K490I y K492).
- Pantalla táctil (solo K492).
- Compatibilidad, para cronotermostatos encastrables, con los marcos de las gamas más habituales, entre ellas Bticino Axolute.
- Posibilidad de gestión local centralizada (mediante módulo de control específico) o remoto (mediante módulo GSM), utilizando mensajes SMS desde teléfono móvil o descargando APP para Smartphone y Tablet (versiones para sistema operativo Android y iOS).

K490I

CÓDIGO	MEDIDA	€/ud	□	⊞
K490IY001	230 Vac	181,30	1	-
K490IY002	2 pilas AAA 1,5V	181,30	1	-



Cronotermostato ambiente semanal, instalación empotrada en caja de 3 módulos.

Alimentación a pilas o red eléctrica.

Compatibilidad con las gamas de placas más comunes, contiene varias tapas, marcos y adaptadores.

Relé de salida con contacto libre de potencial, 5(3) A, 250Vac.

Modo de funcionamiento en calefacción y refrescamiento con programa semanal, diario, horaria y posibilidad de funcionamiento manual.

Rango de regulación de temperatura: 2÷40°C.

Diferencial 0,25 K.

Homologación CE.

NOTAS

K490IY001: Con tensión de red 230Vac, 50Hz.

K490IY002: alimentación con 2 pilas AAA de 1,5V.

K494

CÓDIGO	MEDIDA	€/ud	□	⊞
K494AY001	2 pilas AAA 1,5V	41,55	1	-



Termostato ambiente para instalación de superficie. Pantalla sin retroiluminación.

Alimentación por pilas.

Relé de salida con contacto libre de potencial, 5(3) A, 250Vac.

Modo de funcionamiento en calefacción y refrescamiento con 2 niveles de atenuación.

Rango de regulación de temperatura: 2÷40°C.

Diferencial 0,5 K.

Grado de protección IP20.

Homologación CE.

NOTAS

Alimentación con 2 pilas AAA 1,5V.

Instalación en pared o sobre caja circular de 60mm.

K492

CÓDIGO	MEDIDA	€/ud	□	⊞
K492DY012	230Vac	325,65	1	-



Cronotermohumidostato ambiente semanal, instalación de superficie, con amplio display.

Adaptado para control de actuadores electro térmicos y deshumidificador.

Alimentación de red a 230V.

Modo de funcionamiento en calefacción y refrescamiento con programa semanal, diaria, horaria y posibilidad de funcionamiento manual.

Sensor integrado para detección de la humedad relativa.

Rango de regulación de temperatura: 2÷40°C.

Rango de regulación de HR: 30÷70%.

Grado de protección IP30.

K494I

CÓDIGO	MEDIDA	€/ud	□	⊞
K494IY001	230Vac	105,10	1	25
K494IY002	230Vac	105,10	1	25
K494IY011	pilas	105,10	1	25
K494IY012	pilas	105,10	1	25



Termostato ambiente, instalación empotrada.

Alimentación a 230V / 50Hz o a pilas.

Contacto libre de potencial 5(3)A, 250Vac.

Grado de protección IP20.

Botones en el frontal para selección de modo de funcionamiento: confort, economy, off/antihielo.

NOTAS

K494IY001-K494IY002: gestión verano / invierno.

K494IY011-K494IY012: gestión invierno.

Instalación a empotrar en caja de 3 módulos tipo 503 mediante los tornillos correspondientes.

INFORMACION

K494IY001, K494IY002: color negro.

K494IY011, K494IY012: color blanco.

K499

CÓDIGO	MEDIDA	€/ud	□	⊞
K499Y010	-	81,55	1	20

Módulo de control local para combinar con todos los cronotermos tatos ambiente de la serie K490I y K492.

Homologación CE.



K373

CÓDIGO	MEDIDA	€/ud	□	⊞
K373Y011	40°C a 80°C	125,45	1	-
K373Y012	40°C a 80°C	129,95	1	10

Termostato de seguridad con sonda de inmersión.

Tarado de temperatura en fábrica 50°C.

Campo regulación temperatura 40÷80°C.

Alimentación 230Vac, 50Hz.

NOTAS

K373Y011: Sin vaina R227.

K373Y012: Con vaina R227.



PM100

CÓDIGO	MEDIDA	€/ud	□	⊞
PM100Y001	230 Vac	215,30	1	-
PM100Y003	230 Vac - T.Seguridad	272,00	1	-



Módulo de potencia para el control del circulador en función de estado de los termostatos ambiente y cabezales electro térmicos.

Alimentación: 230 V

Nº de entradas para termostatos: 8

N salidas para actuadores electro térmicos: 8

NOTAS

PM100Y003: Incluye termostato de seguridad.

> REGULACIÓN KLIMABUS

KLIMAbus - Sistema de termostatación vía BUS

Nuevo sistema vía BUS para el control de instalaciones radiantes en calefacción y/o refrescamiento.

Sistema modular que permite gestionar desde un simple grupo de mezcla en calefacción y refrescamiento, a una vivienda con sistema más complejo con sistema de tratamiento de aire por deshumidificación, fancoils en frío, renovación y ventilación mecánica controlada.

Posibilidad de conexión con los principales protocolos de gestión presentes en el mercado. KLIMAbus se abre a los estándares de domótica como Modbus y KNX y a sistemas de automatización del edificio como BacNet.

Las aplicaciones son fácilmente configurables con el menú y configuración guiada para facilitar al instalador la puesta en servicio.

KPM30

CÓDIGO	MEDIDA	€/ud	□	⊞
KPM30Y001	24V	841,65	1	8
KPM30Y002	24V	955,20	1	8
KPM30Y003	24V	841,65	1	8
KPM30Y004	24V	841,65	1	8
KPM30Y005	24V	955,20	1	8



Centralita de regulación para instalación de calefacción y/o refrescamiento. Incluye display para visualización de parámetros, configuración y gestión de la instalación.

Alimentación 24Vac, dimensiones de 6 módulos DIN.

Posibilidad de control de válvula mezcladora, bomba y salidas por contacto libre de potencial. Conexión opcional para terminal remoto KD201.

Posibilidad de conexión, vía bus de campo, con módulos de expansión de entradas/salidas KPM35 y con sondas/termostatos ambiente K492B y R495B/K495L.

Certificación CE.

KPM31

CÓDIGO	MEDIDA	€/ud	□	⊞
KPM31Y001	24V	737,45	1	8
KPM31Y002	24V	851,00	1	8
KPM31Y003	24V	737,45	1	8
KPM31Y004	24V	737,45	1	8
KPM31Y005	24V	851,00	1	8



Centralita de regulación para instalación de calefacción y/o refrescamiento. Sin display

integrado. Combinar con terminal remoto KD201 para visualización de parámetros, configuración y gestión de la instalación.

Alimentación 24Vac, dimensiones de 6 módulos DIN.

Posibilidad de control de válvula mezcladora, bomba y salidas por contacto libre de potencial.

Posibilidad de conexión, vía bus de campo, con módulos de expansión de entradas/salidas KPM35 y con sondas/termostatos ambiente K492B y R495B/K495L.

Certificación CE.

KPM30 e KPM31 - VERSIONES DISPONIBLES

CÓDIGO	Nº VÁLVULAS MEZCLADORAS	Nº TERMOSTATOS AMBIENTE	UNIDADES TRATAMIENTO DEL AIRE
KPM30Y001 KPM31Y001	1	-	-
KPM30Y002 KPM31Y002	2	-	-
KPM30Y003 KPM31Y003	1	1÷3	1
KPM30Y004 KPM31Y004	1	1÷16 (con KPM35)	7 (con KPM35)
KPM30Y005 KPM31Y005	2	1÷16 (con KPM35)	7 (con KPM35)

KPM35

CÓDIGO	MEDIDA	€/ud	□	⊞
KPM35Y001	-	298,10	1	10



Módulo de expansión entradas/salidas para centralita de regulación KPM30 / KPM31. Salida con contactos libres de potencial para control de actuadores electrotermostáticos, servomotores para válvula de zona o sistemas de tratamiento de aire para apoyo térmico o deshumidificación.

Alimentación a 24Vac, dimensiones de 4 módulos DIN.

Certificación CE.

KPM36

CÓDIGO	MEDIDA	€/ud	□	▣
KPM36Y001	Modbus	249,05	1	10
KPM36Y002	Konnex	527,10	1	10
KPM36Y003	Ethernet	870,70	1	10

Tarjeta adicional de la centralita KPM30 / KPM31 para integración a sistemas con distinto protocolo de comunicación.



K497

CÓDIGO	MEDIDA	€/ud	□	▣
K497Y001	KPM30/KPM31	25,60	1	-
K497Y002	KPM35	34,00	1	-

Kit de conectores extraíbles para centralita KPM30 / KPM31 y para módulo de expansión KPM35.



NOTAS

K497Y001: Kit de conectores extraíbles para centralita de regulación KPM30 / KPM31.

K497Y002: Kit de conectores extraíbles para módulo de expansión KPM35.

KD201

CÓDIGO	MEDIDA	€/ud	□	▣
KD201Y001	-	503,40	1	-



Terminal semi-gráfico con botonera para visualización, configuración y gestión de la instalación.

Display LCD semi-gráfico con retroiluminación blanca.

Utilizar en combinación con la centralita KPM30 / KPM31. Alimentación directa des de centralita.

Instalación en pared con caja de tres módulos tipo 503.

Certificación CE.

K492B

CÓDIGO	MEDIDA	€/ud	□	▣
K492BY002	230Vac	263,75	1	-



Termostato ambiente con display retroiluminado e interfaz local para el control de la temperatura y humedad relativa ambiente.

Conexión via bus a centralita de regulación KPM30 / KPM31.

Alimentación a 230Vac, comunicación Modbus RTU slave en RS485.

Instalación empotrada en caja redonda.

Certificación CE.

K495L

CÓDIGO	MEDIDA	€/ud	□	▣
K495LY002	24Vac	346,95	1	-



Termostato ambiente con display retroiluminado e interfaz local para el control de la temperatura y humedad relativa ambiente.

Conexión via bus a centralita de regulación KPM30 / KPM31.

Alimentación a 24Vac, comunicación Modbus RTU slave en RS485.

Instalación en pared con caja de tres módulos tipo 503.

Certificación CE.

K495B

CÓDIGO	MEDIDA	€/ud	□	▣
K495BY002	24Vac	317,90	1	1



Sonda ambiente ciega sin pantalla ni botonera, con sonda de temperatura y humedad relativa ambiente.

Conexión via bus a centralita de regulación KPM30 / KPM31.

Alimentación a 24Vac, comunicación Modbus RTU slave en RS485.

Instalación en pared con caja de tres módulos tipo 503.

Certificación CE.

K493T

CÓDIGO	MEDIDA	€/ud	□	⊞
K493TY002	12V	434,85	1	-



Termostato ambiente para el control de la temperatura y humedad con pantalla táctil retroiluminada. Marco color blanco.

Conexión vía Bus con centralita de regulación KPM30 / KPM31.

Posibilidad de control directo de fancoil 0-10V o fancoil a 3 velocidades en combinación con módulo KF201 (no incluido).

Alimentación a 12Vdc.

Instalación horizontal en caja de tres módulos tipo 503 o a superficie.

Protocolo de comunicación Bus RS485 Modbus RTU.

Certificación CE.

K493I

CÓDIGO	MEDIDA	€/ud	□	⊞
K493IY002	12V	315,50	1	-



Sonda ciega de temperatura y humedad para instalación empotrada.

Conexión vía Bus con centralita de regulación KPM30 / KPM31.

Alimentación a 12Vdc.

Protocolo de comunicación Bus RS485 Modbus RTU.

Certificación CE.

K360

CÓDIGO	MEDIDA	€/ud	□	⊞
K360Y002	230V-12V	211,25	1	-

Transformador con salida DC estabilizada para alimentación de termostatos K493T y sonda ambiente K493I.

Transformador 230AVac a 24Vac. Potencia de 12VA. No utilizar con centralita KPM20.



K463P

CÓDIGO	MEDIDA	€/ud	□	⊞
K463PY001	-	38,80	1	-

Sonda de temperatura de impulsión a inmersión, tipo pasivo, con rango de medida $-50 \div 105^{\circ}\text{C}$.

Longitud de cable 6m, diámetro del bulbo 6mm.

Utilizar en combinación con centralita de regulación KPM30 / KPM31.



KF201

CÓDIGO	MEDIDA	€/ud	□	⊞
KF201Y001	-	383,70	1	-

Módulo de control de fancoil para combinar con termostato ambiente táctil K493T.

Instalación en proximidad del fancoil con carril DIN.

Combinado con el termostato ambiente K493T puede controlar el actuador de la válvula de la batería de agua y las tres velocidades del ventilador de la unidad. Grado de protección IP20.

Tensión nominal de alimentación del BUS 12V. Rango de temperatura de trabajo $5 \div 50^{\circ}\text{C}$.



K465P

CÓDIGO	MEDIDA	€/ud	□	⊞
K465PY001	-	107,15	1	-

Sonda de temperatura exterior, de tipo pasivo, con rango de medida $-50 \div 105^{\circ}\text{C}$. Instalación en caja (incluida) con grado de protección IP68.

Utilizar en combinación con centralita de regulación KPM30 / KPM31.



K498M

CÓDIGO	MEDIDA	€/ud	□	⊞
K498MY002	-	100,20	1	-

Convertidor de señal de PWM a $0 \div 10\text{V}$ para control de una segunda válvula mezcladora en centralita de regulación KPM30 / KPM31.

Alimentación a 24Vac, instalación sobre carril DIN.

Certificación CE.



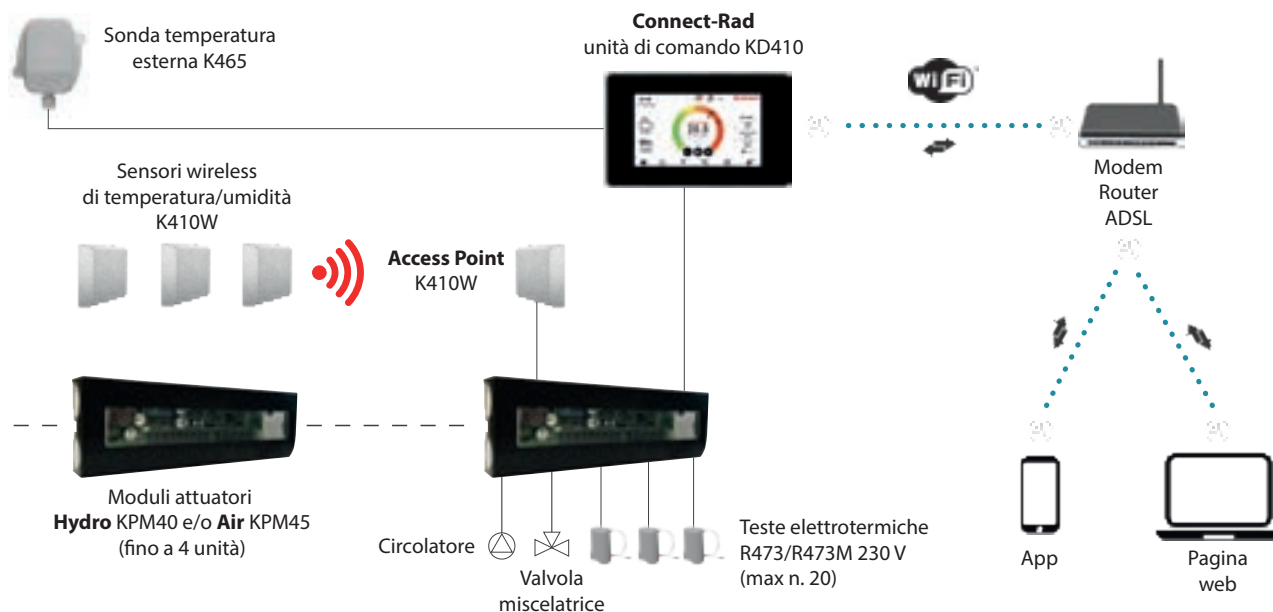
> REGULACIÓN KLIMADOMOTIC

La plataforma completa para gestionar el confort

KLIMAdomotic es un sistema de regulación inteligente optimizado para sistemas radiantes así como válvulas termostáticas controladas por radio (wireless). Consiste en gestionar, con una única interfaz para el usuario, todos los aspectos del confort de su vivienda, de la calefacción al apoyo de aire en verano, pasando por la renovación de aire y control de la humedad.

La **unidad de control KD410 Connect** viene configurada en base al sistema instalado. El producto tiene una versión específica de software según la tipología de instalación existente: Connect-Rad para sistemas radiantes, Connect-TRV para sistemas de termorregulación para válvulas termostáticas (ver capítulo de válvulas de radiador).

El KD410 permite al usuario estar siempre conectado a la instalación: se configura fácilmente gracias a la interfaz gráfica "user friendly" y es controlable remotamente por página web desde PC o con los Smartphones más comunes mediante la **APP "Giacomini Connect"**.



KD410

CÓDIGO	ALIMENTACIÓN	€/ud	□	⊞
KD410Y001	12V	885,75	1	-



Unidad de control Connect-Rad con pantalla táctil capacitiva para la gestión de la regulación climática.

Soporta los siguientes protocolos de comunicación: ZigBee (comunicación con actuadores termostáticos K470W), LoRa (comunicación wireless con KPM40 Hydro, KPM45 Air y sensores de temperatura y humedad - En preparación), WiFi (comunicación con Router WiFi), Modbus (Versión cableada para KPM40 Base).

Se pueden conectar hasta 4 unidades KPM40 Base. Pantalla táctil tipo capacitivo integrada en superficie de cristal, conexión eléctrica (alimentación y señal bus) por conector rápido por la parte posterior. Adaptable a las cajas de empotrar a pared más comunes (de empotrar a pared tipo 503, caja rectangular para cartonyeso, caja redonda).

Alimentación 12V mediante módulo actuador KPM45.

Certificación CE.

KPM40

CÓDIGO	MEDIDA	€/ud	□	⊞
KPM40Y002	Modbus	771,40	1	-



LoRa Modbus*

Módulo actuador Hydro para parte hidráulica de la instalación radiante.

Permite: apertura/cierre de actuadores electrotrémicos (máximo 20ud); apertura/cierre de válvula mezcladora; paro/marcha de la bomba, paro/marcha de deshumidificador; conmutación verano/invierno.

Capacidad de gestión de hasta 8 ambientes, baño excluidos (gestionado por salida de relé dedicada). Alimentación a 230Vac. Certificación CE.

KPM45

CÓDIGO	MEDIDA	€/ud	□	⊞
KPM45Y002	Modbus	771,40	1	-



LoRa Modbus*

Módulo actuador Air para gestión de distintos tipos de máquinas de tratamiento de aire.

Puede gestionar las compuertas de impulsión y aspiración de aire, velocidades del ventilador, la bomba y la mezcladora para el control de la temperatura del fluido caloportador.

También tiene capacidad para gestionar una mezcladora dedicada al circuito de agua refrigerante de la batería de refrescamiento y la bomba correspondiente (en alternativa una válvula de zona). Puede recibir la medida de la temperatura de impulsión de una sonda del circuito de agua refrigerante y la temperatura de impulsión del circuito de aire. Puede, también, recibir una señal de un sensor de dióxido de carbono para controlar la renovación del aire con el exterior.

Alimentación 230V. Certificación CE.

K410W

CÓDIGO	MEDIDA	€/ud	□	⊞
K410WY003	Temperatura	168,10	1	-
K410WY002	Temperatura/Humedad	200,70	1	-
K410WY012	Temperatura/Humedad	126,10	1	-



LoRa Modbus*

Sensor wireless de temperatura/humedad o solo de temperatura, alimentado a pilas.

Instalar en cada ambiente climatizado de la instalación radiante y en comunicación con Hydro KPM40.

Fiabilidad elevada de las prestaciones radio, con ahorro energético de las pilas (envían datos al sistema únicamente cuando detectan variaciones apreciables de las medidas, reduciendo al mínimo el número de transmisiones).

Alimentación K410WY001 y K410WY002: 2 pilas AA de 1,5V.

Alimentación K410WY012: 12V entregados por el módulo actuador KPM40.

Certificación CE.

NOTAS

Los datos de los sensores wireless son recibidos directamente por el dispositivo concentrador K410WY012 Acces Point, que los transfiere, via Modbus, al módulo Hydro.

K463P

CÓDIGO	MEDIDA	€/ud	□	⊞
K463PY001	-	38,80	1	-

Sonda de temperatura de impulsión a inmersión, tipo pasivo, con rango de medida $-50 \div 105^{\circ}\text{C}$.

Longitud de cable 6m, diámetro del bulbo 6mm.

Utilizar en combinación con centralita de regulación KPM30 / KPM31.



K465

CÓDIGO	ALIMENTACIÓN	€/ud	□	⊞
K465Y001	12V	157,05	1	-

Sonda de temperatura exterior. Conectar al módulo Hydro KPM40 y/o Aire KPM45 por bus cableado.

Rango de medida temperatura $-40 \div 85^{\circ}\text{C}$. Caja con grado de protección IP68.

Alimentación 12V mediante módulo actuador KPM40.



> REGULACIÓN WIRELESS (SOLO CALEFACCIÓN)

Sistema de termostatación wireless para distribución a colector en instalaciones de calefacción

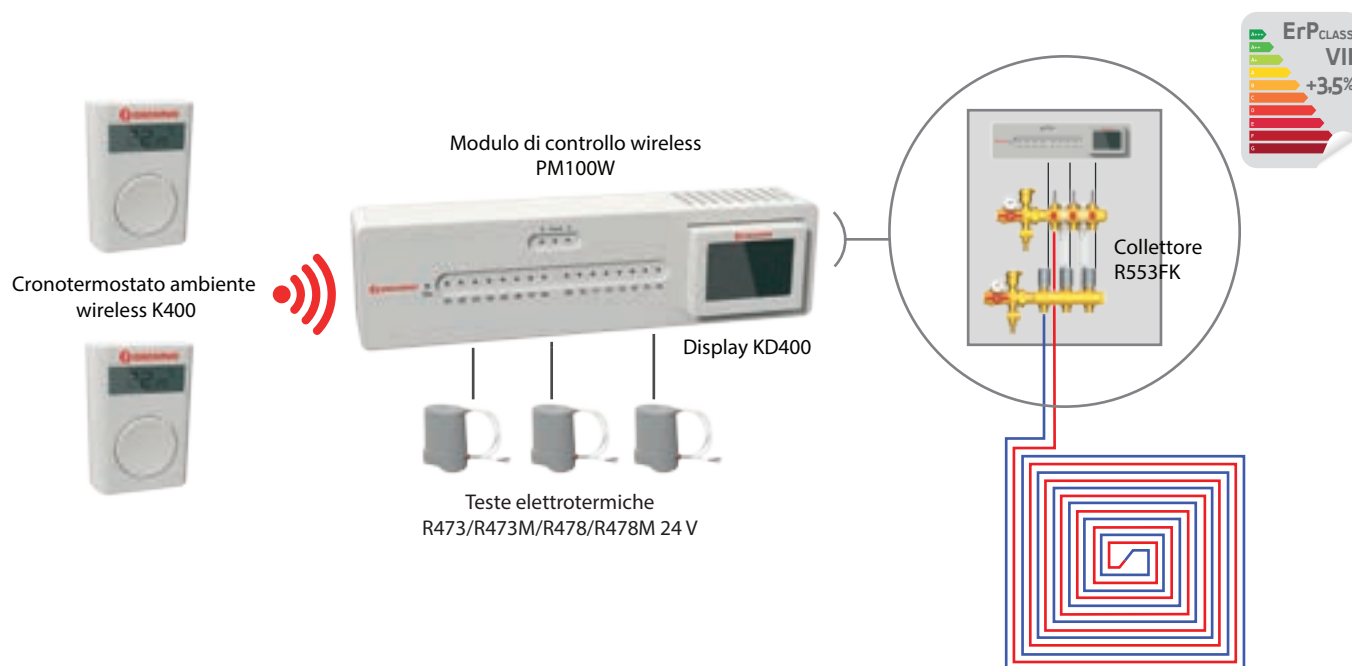
NEW

Nuevo sistema wireless para el control de las instalaciones de calefacción con distribución a colector y actuadores electrotermostáticos.

Indicado para reformas donde es preferible evitar el cableado por pared entre termostatos y colectores.

Sistema compuesto de: un módulo de control para actuadores electrotermostáticos, un display táctil para programación y visualización, uno o más cronotermostatos de pared wireless para el control del ambiente y una sonda de temperatura con función de termostato de seguridad del agua de impulsión.

Se desaconseja la instalación de estos dispositivos donde existan posibles interferencias electromagnéticas o campos magnéticos que puedan impedir la comunicación entre termostatos y unidad de control.



PM100W

CÓDIGO	ALIMENTACIÓN	€/ud	□	⊞
PM100WY02	230V	489,05	1	-



Módulo de control wireless para instalación de calefacción. Posibilidad de control:

- 16 zonas de temperatura ambiente mediante cronotermostato K400Y002.
- Bomba circuladora de la instalación con función de termostato de seguridad (si se combina la sonda de temperatura K563PY002).
- Gestión de la producción del agua caliente sanitaria (si se combina con la sonda de temperatura K563PY002).

Posibilidad de combinar con la pantalla táctil KD400Y002.

Alimentación 230V. Certificación CE.

KD400

CÓDIGO	ALIMENTACIÓN	€/ud	□	⊞
KD400Y002	desde módulo PM100W	326,35	1	5



Pantalla táctil retroiluminada para la programación, gestión y control del módulo PM100WY02.

Instalación a pared o sobre el módulo de control.

K400

CÓDIGO	ALIMENTACIÓN	€/ud	□	⊞
K400Y002	2 pilas AA 1,5V	119,20	1	-



Cronotermostato ambiente wireless con display. Utilizar en combinación con el módulo de control PM100WY02. Instalación a pared. Alimentación a pilas 2xAA de 1,5V. Certificación CE.

K563P

CÓDIGO	MEDIDA	€/ud	□	⊞
K563PY002	-	39,10	1	10



Sonda de temperatura de inmersión de tipo pasivo, con dos opciones de funcionamiento: termostato de seguridad o gestión de la producción de agua caliente sanitaria. Utilizar en combinación con el módulo de control PM100WY02.

DIRECTIVA ErP

CLASIFICACIÓN DE LOS DISPOSITIVOS DE CONTROL DE LA TEMPERATURA SEGÚN REG. (EU) N.811/2013 – 813/2013

CLASE ENERGÉTICA	BENEFICIO ENERGÉTICO	TIPOLOGÍA DE DISPOSITIVO
Clase I	+ 1%	Termostato ambiente todo/nada
Clase II	+ 2%	Centralita de termorregulación con dispositivos de calefacción modulantes.
Clase III	+ 1,5%	Centralita de termorregulación destinada al uso con dispositivos de calefacción con salidas todo/nada.
Clase IV	+ 2%	Termostato ambiente con función TPI, destinado al uso con dispositivos de calefacción con salidas todo/nada.
Clase V	+ 3%	Termostato ambiente modulante, destinado al uso con dispositivos de calefacción modulantes.
Clase VI	+ 4%	Centralita de termorregulación y sensores ambiente, destinados al uso con dispositivos de calefacción modulantes.
Clase VII	+ 3,5%	Centralita de termorregulación y sensores ambiente, destinados al uso con dispositivos de calefacción con salidas todo/nada.
Clase VIII	+ 5%	Control de la temperatura ambiente con sensores múltiples destinados al uso con dispositivos de calefacción modulantes.

Ejemplo de BENEFICIO ENERGÉTICO garantizado por el dispositivo de control de la temperatura

Generador de calor con eficiencia Energética 95%

Termostato de ambiente con función TPI

95% + 2% = 97%

A+++	≤ 150%
A++	< 150%
A+	< 125%
A	< 98%
B	< 90%

CLASE ENERGÉTICA DEL SISTEMA

A

Centralita de termorregulación y sonda ambiente

95% + 3,5% = 98,5%

A+++	≤ 150%
A++	< 150%
A+	< 125%
A	< 98%
B	< 90%

CLASE ENERGÉTICA DEL SISTEMA

A+

> DESHUMIDIFICADORES/MÁQUINAS TRATAMIENTO DEL AIRE


Porqué utilizar máquinas de tratamiento de aire

Para atraer al usuario, en un mercado inmobiliario cada vez más exigente, un edificio moderno debe apuntar a una clase de consumo energético elevada mediante colocación de aislamientos y cerramientos que evitan cualquier infiltración de aire no controlado. Esto implica la necesidad de una ventilación mecánica controlada para garantizar una óptima calidad de aire en los ambientes ocupados.

En las instalaciones de climatización modernas, incluidas las viviendas, el enfriamiento en verano ha resultado una exigencia imprescindible.

Para completar la oferta del propio sistema radiante Giacomini propone una gama completa de máquinas para deshumidificación, enfriamiento y ventilación. Las ventajas que ofrecen las versiones más completas son: aire fresco y limpio, seguridad contra las condensaciones, aumento del valor del inmueble e incremento de la clase energética.

La familia de producto comprende unidad encastrable a pared o techo, como deshumidificador simplemente o con integración de enfriamiento, para satisfacer las exigencias de las zonas con cargas térmicas elevadas.



Mayor eficiencia energética y mayor consideración con el medio ambiente: la innovación de Giacomini continua.

Las nuevas máquinas de tratamiento de aire Giacomini combinan unas excelentes prestaciones técnicas con una alma ecológica: el fluido refrigerante utilizado en el circuito frigorífico es propano R290, caracterizado por notables prestaciones termodinámicas y buena alternativa a los tradicionales gases refrigerantes con alto contenido GWP. El parámetro GWP (Global Warming Potential) identifica el potencial de calentamiento global por efecto invernadero causado por el gas en cuestión en la atmósfera. Tomando como valor de referencia el potencial del dióxido de carbono CO2 igual a 1, la elección de utilizar el gas R290 ha sido en base a su valor GWP=3, extremadamente inferior al valor GWP=1300 del gas R134A utilizado anteriormente.

El desarrollo técnico asociado a la carga del gas R290 ha llevado a optimizar componentes "clave" de la máquina, como el compresor, permitiendo aumentar un 30% la eficiencia respecto al modelo precedente.

KDP

MÁQUINA

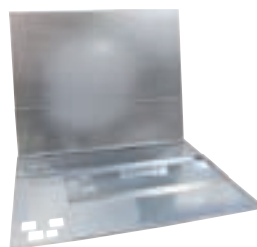
CÓDIGO	CARACTERÍSTICAS	€/ud	☐	☒
KDPHY024	deshumidificador	1.656,60	1	-
KDPRHY024	deshumidificador + batería 2t	2.258,40	1	-

ACCESORIOS

CÓDIGO	CARACTERÍSTICAS	€/ud	☐	☒
KDPCY024	caja empotrar	129,45	1	-
KDPFY024	panel frontal	336,50	1	-



CAJA EMPOTRAR



PANEL FRONTAL



Unidad monobloque para el control de la humedad, para instalación empotrada en pared, para combinar con sistema radiante en refrescamiento.

Posibilidad de batería a 2 tubos para compensación de carga sensible.

Dotado de filtro extraíble en material sintético clase G3 (EN779:2002), ventilador centrífugo con motor acoplado directamente a tres velocidades, circuito frigorífico con gas refrigerante R290, circuito hidráulico, batería de tratamiento con tubería de cobre y aletas de aluminio.

Disponibles caja de empotrar y panel frontal en madera lacada blanca.

Capacidad de deshumidificación 23 l/24h.

Caudal de aire 200 m³/h en deshumidificación y 300m³/h en integración (solo KDPRHY024).

Rango de temperatura ambiente: 15÷30°C.

Conexión circuito hidráulico: 2x 1/2" H.

Alimentación 230V.

KDS

MÁQUINA

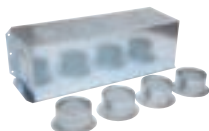
CÓDIGO	CARACTERÍSTICAS	€/ud	☐	☒
KDSHY026	deshumificador	1.656,60	1	-
KDSRHY026	deshumificador + batería 2t	2.238,95	1	-
KDSRHY350	deshumificador + batería 2t	2.911,95	1	-
KDSRY500	deshumificador + batería 2t	3.649,65	1	-

ACCESORIOS

CÓDIGO	CARACTERÍSTICAS	€/ud	☐	☒
KDSPLY026	plenum para KDSHY026, KDSRHY026	194,15	1	-
KDSPLY350	plenum para KDSRHY350	214,85	1	-



PLENUM IMPULSIÓN A 4 VÍAS



PLENUM IMPULSIÓN A 6 VÍAS



Unidad monobloque para el control de la humedad, para instalación en falso techo, combinar con sistema radiante en refrescamiento.

Posibilidad de batería a 2 tubos para compensación de carga sensible.

Dotado de filtro extraíble en material sintético clase G3 (EN779:2002), ventilador centrífugo con motor acoplado directamente a tres velocidades, circuito frigorífico con gas refrigerante R134A o R290 circuito hidráulico, batería de tratamiento con tubería de cobre y aletas de aluminio. Alimentación 230V.

NOTAS

KKDSHY026

Unidad monobloque canalizable de deshumidificación.
Capacidad de deshumidificación 24,7 l/24h.
Caudal de aire 200m³/h.
Conexión circuito hidráulico: 2x ½" H.
Disponible plenum de impulsión a cuatro vías, diámetro 100mm.

KDSRHY026

Unidad monobloque canalizable de deshumidificación e integración de potencia sensible.
Capacidad de deshumidificación 24,7 l/24h.
Caudal de aire 200m³/h en deshumidificación, 300m³/h en integración.
Conexión circuito hidráulico: 2x ½" H.
Disponible plenum de impulsión a cuatro vías, diámetro 100mm.

KDSRHY350

Acondicionador de aire monobloque canalizable de deshumidificación e integración de potencia sensible.
Capacidad de deshumidificación 38,3 l/24h.
Caudal de aire 350m³/h.
Rango de temperatura de trabajo del agua: 12÷22°C.
Conexión circuito hidráulico: 4x ½" H.
Disponible plenum de impulsión a seis vías, diámetro 100mm.

KDSRY500

Acondicionador de aire monobloque canalizable de deshumidificación e integración de potencia sensible.
Capacidad de deshumidificación 60,1 l/24h.
Caudal de aire 600m³/h.
Rango de temperatura de trabajo del agua: 12÷22°C.
Altura de preajuste 60Pa.
Conexión circuito hidráulico: 4x ½" H.

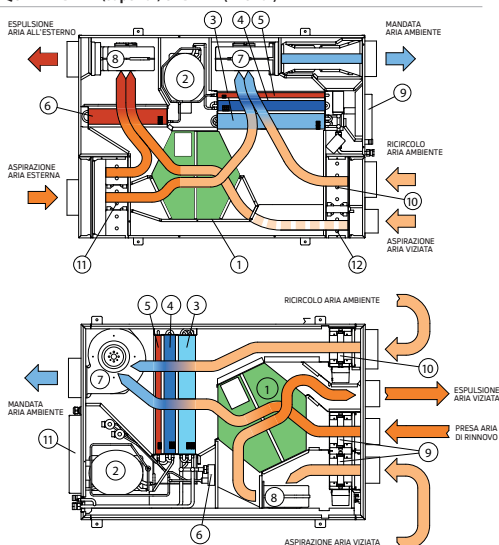
KDP Y KDS - DATOS TÉCNICOS Y DIMENSIONES

	KDPHY024	KDPRHY024		KDSHY026	KDSRHY026		KDSRHY350	KDSRY500
		deshumidificación	integración		deshumidificación	integración		
POTENCIA LATENTE [W] AIRE A 26 °C -65 % AGUA DE ALIMENTACIÓN A 15 °C	665	665	644	715	715	689	1.116	1.740
POTENCIA SENSIBLE [W] AIRE A 26 °C -65 % AGUA DE ALIMENTACIÓN A 15 °C	814	814	973	844	844	1.011	1.469	2.070
CAUDAL DE AGUA NECESARIA [l/h]	220	220	290	240	220	280	350	500
PERDIDA DE CARGA CIRCUITO AGUA [mm.c.a.]	1.100	1.200		1.100	1.100		1.200	1.600
CAUDAL DE AIRE [m ³ /h]	200	200	300	200	200	300	350	500
ALTURA MÁXIMA DISPONIBLE [Pa]	-	-		15	24	45	40	60
POTENCIA ELÉCTRICA ABSORBIDA [W] ALIMENTACIÓN MONOFÁSICA 230 V - 50 Hz	250	250	290	260	260	270	456	750
MASSIME DIMENSIONI D'INGOMBRO LxPxH [mm]	722x573x202	722x573x202		645x550x247	654x584x247		700x593x262	767x645x287
PESO [kg]	31	34		29	32		85	85

KDV

CÓDIGO	CARACTERÍSTICAS	€/ud	□	▣
KDVRWY300	condensación por agua	5.176,80	1	-
KDVRAY360	condensación por aire	6.346,80	1	-
KDVRAY500	condensación por aire	7.312,00	1	-

ESQUEMA KDVR (superior) e KDVRW (inferior)



LEYENDA

1. Recuperador aire-aire
2. Compresor frigorífico
3. Batería de agua
4. Evaporador frigorífico
5. Condensador post-calentamiento
6. Condensador disipativo
7. Ventilador de impulsión
8. Ventilador de expulsión
9. Cuadro eléctrico
- 10-11-12 compuertas



Unidad de tratamiento de aire monobloque canalizable para ventilación, deshumidificación e integración de potencia sensible, para instalación en falso techo, combinar con sistemas radiante en refrescamiento, con recuperador de calor por flujos cruzados de alta eficiencia (rendimiento >86%). Dotado de filtro extraíble en material sintético clase G3 (EN779:2002), dos ventiladores centrífugos "brushless" con motor acoplado directamente a tres velocidades, 5 compuertas motorizadas, circuito frigorífico con gas refrigerante R134A, circuito hidráulico, batería de tratamiento con tubería de cobre y aletas de aluminio y 5 conexiones de diámetro 100mm para impulsión, recirculación, extracción, toma exterior y expulsión. Condensación por agua o por aire. Alimentación 230V

NOTAS

KDVRWY300

Condensación por agua.
Caudal total 160÷300 m³/h.
Caudal de aire exterior 80÷160 m³/h.
Capacidad de deshumidificación 25,9 l/24h (en referencia a las condiciones interiores).
Conexión Hidráulica 2x1/2" F.

KDVRAY360

Condensación por aire.
Caudal total 220÷360 m³/h.
Caudal de aire exterior 90÷220 m³/h.
Capacidad de deshumidificación 25 l/24h (en referencia a las condiciones interiores).
Conexión Hidráulica 2x1/2" F.

KDVRAY500

Condensación por aire.
Caudal total 160÷500 m³/h.
Caudal de aire exterior 160÷300 m³/h.
Capacidad de deshumidificación 31,2 l/24h (en referencia a las condiciones interiores).
Conexión Hidráulica 2x1/2" F.

DATOS TÉCNICOS Y DIMENSIONALES

	KDVRWY300	KDVRAY360	KDVRAY500
POTENCIA LATENTE TOTAL [W] - AIRE EXTERIOR A 35°C - 50%	1.083	1.620	2.090
POTENCIA LATENTE ÚTIL [W] - REFERIDA A RECIRCULACIÓN, AIRE A 26°C - 55%	625	723	880
POTENCIA FRIGORÍFICA SENSIBLE ÚTIL [W] - REFERIDA A RECIRC., AIRE A 26°C - 55%	1.050	1.468	2.580
CAUDAL DE AGUA NECESARIO [l/h]	400	360	500
PÉRDIDA DE CARGA CIRCUITO DE AGUA [mm.c.a.]	800	1.200	1.100
CAUDAL VENTILADOR DE IMPULSIÓN [m ³ /h]	80-300	90-360	160-500
ALTURA ÚTIL VENTILADOR DE IMPULSIÓN [Pa]	120	200	260
CAUDAL VENTILADOR DE EXPULSIÓN [m ³ /h]	80-160	90-360	160-500
ALTURA ÚTIL VENTILADOR DE EXPULSIÓN [Pa]	100	200	260
EFICIENCIA RECUPERADOR DE CALOR - INVIERNO: EXTERIOR -5°C, INTERIOR 20°C	95 %	91 %	92 %
EFICIENCIA RECUPERADOR DE CALOR - VERANO: EXTERIOR 35°C, INTERIOR 26°C	93 %	89 %	87 %
NIVEL DE PRESIÓN SONORA, EN ZONA ABIERTA - DISTANCIA 1m [dB(A)]	39	42	48
POTENCIA ELÉCTRICA ABSORBIDA [W] - ALIMENTACIÓN MONOFÁSICA 230Vac - 50Hz	560	820	1.100
DIMENSIONES MÁXIMAS DEL CONJUNTO LxPxH [mm]	1.220x820x540	1.290x882x276	1.286x962x442
PESO [Kg]	71	85	105

KV

CÓDIGO	MEDIDA	€/ud	□	▣
KVY160	160 m ³ /h	2.372,70	1	-
KVY300	300 m ³ /h	3.055,75	1	-
KVY500	500 m ³ /h	3.415,25	1	-



DATOS TÉCNICOS Y DIMENSIONES

CÓDIGO	CAUDAL [m ³ /h]	DIMENSIONES MÁXIMAS L x P x H [mm]	DIAMETRO CONEXIÓN CONDUCTO AIRE [mm]	PRESIÓN ÚTIL	POTENCIA ELÉCTRICA ABSORBIDA [W]
KVY160	160	1.100 x 600 x 275	150	140	55
KVY300	300	1.440 x 660 x 285	200	230	190
KVY500	500	1.580 x 730 x 305	200	280	340

Unidad de tratamiento de aire monobloque canalizable para ventilación mecánica controlada. Para instalación en falso techo, a suelo (sobre la losa) o a pared.

Con recuperador de calor de doble flujo y de alta eficiencia. Dotado de 2 ventiladores centrífugos.

Completa de filtro extraíble en material sintético clase G4+F7 sobre aire exterior y G4 sobre el aire recirculado.

Estructura externa en plancha, aislamiento en poliestireno expandido, paso de aire interno en plancha cincada (estructura "sándwich").

Insonorización con material fonoabsorbente de la sección de conducto interno de la máquina en el lado de impulsión.

By-pass motorizado para free-cooling.

Panel de control remote (modular DIN) para configurar: caudal de aire, horario de funcionamiento.

Alimentación 230V.

> GRUPOS HIDRÁULICOS

R586R

CON BOMBA

CÓDIGO	MEDIDA	EURO/pcs.	☐	☒
R586RY101	1 1/2" Mx1"H - sin mezcla	468,95	1	-
R586RY102	1 1/2" Mx1"H - R296	511,35	1	-
R586RY103	1 1/2" Mx1"H - R297	564,20	1	-
R586RY104	1 1/2" Mx1"H - mezcl. termost.	665,70	1	-

SIN BOMBA

CÓDIGO	CARACTERÍSTICAS	EURO/pcs.	☐	☒
R586RY111	1 1/2" Mx1"H - sin mezcla	228,30	1	-
R586RY112	1 1/2" Mx1"H - R296	277,75	1	-
R586RY113	1 1/2" Mx1"H - R297	338,30	1	-
R586RY114	1 1/2" Mx1"H - mezcl. termost.	457,85	1	-

R586RY102



R586RY113



GRUPO CON PROTECCIONES Y ACTUADOR (opcional)



Grupo hidráulico premontado para gestión de circuito secundario de instalaciones de calefacción y/o refrescamiento (R586RY104-114, solo calefacción).

Conexión hembra 1".

Bomba circuladora (para R586RY101-102-103-104) conforme a la directiva ErP 2009/125/CE.

Incluye válvulas de corte con termómetro integrado, válvula de retención integrada en retorno y aislamiento en polipropileno expandido EPP.

Función de mezcla en versiones R586RY102-103-104-112-113-114.

R586SEP

CÓDIGO	MEDIDA	€/ud	☐	☒
R586SEY02	1 1/4"Hx1"M - (2 derivaciones)	412,40	1	-
R586SEY03	1 1/4"Hx1"M - (3 derivaciones)	506,15	1	-



Colector de central térmica en acero para circuito primario y secundario. Incluye purgador automático, grifo de descarga y aislamiento.

Llave para transformar el colector en separador hidráulico.

Rango de temperatura: 5÷110°C.

Presión máxima de trabajo: 6 bar.

separación entre ejes: 125 mm.

R588SEP

CÓDIGO	MEDIDA	€/ud	☐	☒
R588SEY01	-	50,15	1	-



Conjunto de dos soportes para instalación a pared del colector R586SEP. Incluye arandela y tuerca M8 para fijación

R586A1

CÓDIGO	MEDIDA	€/ud	□	⊞
R586AY011	180 mm	371,70	1	-
R586AY012	130 mm	370,15	1	-



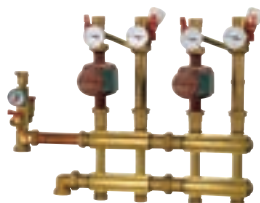
Conjunto de material para construcción de grupo hidráulico para gestión de circuito secundario en instalaciones de calefacción y/o refrescamiento. Conexión hembra de 1".

Formado por:

- Grupo de seguridad R554E y juego de codo/Te R182AM.
- Colector R586.
- By-pass regulable R147N, para protección de circulador.
- Termómetros de impulsión y retorno con escala 0÷120°C.
- Válvulas de corte.

R586A2

CÓDIGO	MEDIDA	€/ud	□	⊞
R586AY021	180 mm	665,35	1	-
R586AY022	130 mm	661,60	1	-



Conjunto de material para construcción de grupo hidráulico doble para gestión de dos circuitos secundarios en instalaciones de calefacción y/o refrescamiento. Conexión hembra de 1".

Formado por:

- Grupo de seguridad R554E y juego de codo/Te R182AM.
- Doble colector R586.
- By-pass regulables R147N, para protección de circulador.
- Termómetros de impulsión y retorno con escala 0÷120°C.
- Válvulas de corte.

R586B1

CÓDIGO	MEDIDA	€/ud	□	⊞
R586BY011	180 mm	533,10	1	-
R586BY012	130 mm	530,95	1	-



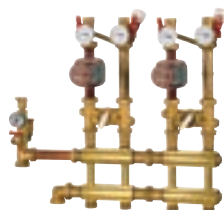
Conjunto de material para construcción de grupo hidráulico para gestión de circuito secundario en instalaciones de calefacción y/o refrescamiento. Conexión hembra de 1".

Formado por:

- Grupo de seguridad R554E y juego de codo/Te R182AM.
- Colector R586.
- Válvula mezcladora R295 sin actuador (pedir por separado).
- By-pass regulable R147N, para protección de circulador.
- Termómetros de impulsión y retorno con escala 0÷120°C.
- Válvulas de corte.

R586B2

CÓDIGO	MEDIDA	€/ud	□	⊞
R586BY021	180 mm	988,15	1	-
R586BY022	130 mm	983,50	1	-



Conjunto de material para construcción de grupo hidráulico doble para gestión de dos circuitos secundarios en instalaciones de calefacción y/o refrescamiento. Conexión hembra de 1".

Formado por:

- Grupo de seguridad R554E y juego de codo/Te R182AM.
- Doble colector R586.
- Dos válvulas mezcladoras R295 sin actuador (pedir por separado).
- By-pass regulables R147N, para protección de circulador.
- Termómetros de impulsión y retorno con escala 0÷120°C.
- Válvulas de corte.

R586C

CÓDIGO	MEDIDA	€/ud	□	⊞
R586CY021	180 mm	826,75	1	-
R586CY022	130 mm	822,55	1	-



Conjunto de material para construcción de grupo hidráulico doble para gestión de dos circuitos secundarios en instalaciones de calefacción y/o refrescamiento. Conexión hembra de 1".

Formado por:

- Grupo de seguridad R554E y juego de codo/Te R182AM.
- Doble colector R586.
- Válvula mezcladora R295 solo en uno de los circuitos, sin actuador (pedir por separado).
- By-pass regulables R147N, para protección de circulador.
- Termómetros de impulsión y retorno con escala 0÷120°C.
- Válvulas de corte.

R586D1

CÓDIGO	MEDIDA	€/ud	□	⊞
R586DY011	180 mm	526,85	1	-
R586DY012	130 mm	524,75	1	-



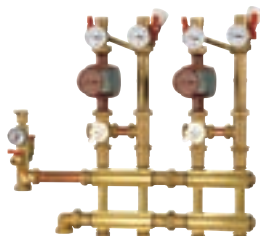
Conjunto de material para construcción de grupo hidráulico para gestión de circuito secundario en instalaciones de calefacción y/o refrescamiento. Conexión hembra de 1".

Formado por:

- Grupo de seguridad R554E y juego de codo/Te R182AM.
- Colector R586.
- Válvula mezcladora R296 sin actuador (pedir por separado).
- By-pass regulable R147N, para protección de circulador.
- Termómetros de impulsión y retorno con escala 0÷120°C.
- Válvulas de corte.

R586D2

CÓDIGO	MEDIDA	€/ud	□	⊞
R586DY021	180 mm	958,05	1	-
R586DY022	130 mm	943,45	1	-



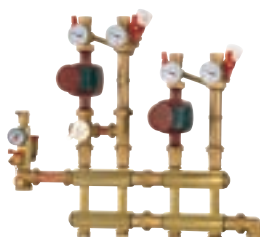
Conjunto de material para construcción de grupo hidráulico doble para gestión de dos circuitos secundarios en instalaciones de calefacción y/o refrescamiento. Conexión hembra de 1".

Formado por:

- Grupo de seguridad R554E y juego de codo/Te R182AM.
- Doble colector R586.
- Dos válvulas mezcladoras R296 sin actuador (pedir por separado).
- By-pass regulables R147N, para protección de circulador.
- Termómetros de impulsión y retorno con escala 0÷120°C.
- Válvulas de corte.

R586E

CÓDIGO	MEDIDA	€/ud	□	⊞
R586EY021	180 mm	881,40	1	-
R586EY022	130 mm	876,90	1	-



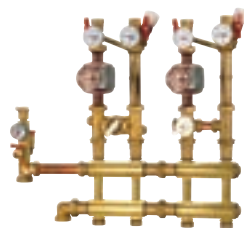
Conjunto de material para construcción de grupo hidráulico doble para gestión de dos circuitos secundarios en instalaciones de calefacción y/o refrescamiento. Conexión hembra de 1".

Formado por:

- Grupo de seguridad R554E y juego de codo/Te R182AM.
- Doble colector R586.
- Válvula mezcladora R296 solo en uno de los circuitos, sin actuador (pedir por separado).
- By-pass regulables R147N, para protección de circulador.
- Termómetros de impulsión y retorno con escala 0÷120°C.
- Válvulas de corte.

R586F

CÓDIGO	MEDIDA	€/ud	☐	☒
R586FY021	180 mm	966,90	1	-
R586FY022	130 mm	962,35	1	-



Conjunto de material para construcción de grupo hidráulico doble para gestión de dos circuitos secundarios en instalaciones de calefacción y/o refrescamiento. Conexión hembra de 1".

Formado por:

- Grupo de seguridad R554E y juego de codo/Te R182AM.
- Doble colector R586.
- Válvulas mezcladoras R295 y R296, sin actuador (pedir por separado).
- By-pass regulables R147N, para protección de circulador.
- Termómetros de impulsión y retorno con escala 0÷120°C.
- Válvulas de corte.

R586M1

CÓDIGO	MEDIDA	€/ud	☐	☒
R586MY011	180 mm	489,75	1	-



Conjunto de material para construcción de grupo hidráulico para gestión de circuito secundario en instalaciones de calefacción y/o refrescamiento. Conexión hembra de 1".

Formado por:

- Grupo de seguridad R554E y juego de codo/Te R182AM.
- Colector R586.
- Válvula mezcladora R298 sin actuador (pedir por separado).
- By-pass regulable R147N, para protección de circulador.
- Termómetros de impulsión y retorno con escala 0÷120°C.
- Válvulas de corte.

R586G1

CÓDIGO	MEDIDA	€/ud	☐	☒
R586GY011	180 mm	436,65	1	-
R586GY012	130 mm	434,35	1	-



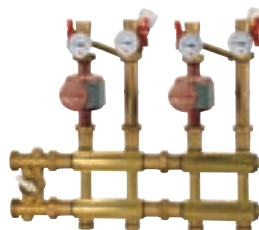
Conjunto de material para construcción de grupo hidráulico para gestión de circuito secundario en instalaciones de calefacción y/o refrescamiento. Conexión hembra de 1".

Formado por:

- Válvula mezcladora R295 sin actuador (pedir por separado).
- Colector R586.
- By-pass regulable R147N, para protección de circulador.
- Termómetros de impulsión y retorno con escala 0÷120°C.
- Válvulas de corte.

R586G2

CÓDIGO	MEDIDA	€/ud	☐	☒
R586GY021	180 mm	792,75	1	-
R586GY022	130 mm	788,25	1	-



Conjunto de material para construcción de grupo hidráulico doble para gestión de dos circuitos secundarios en instalaciones de calefacción y/o refrescamiento. Conexión hembra de 1".

Formado por:

- Válvula mezcladora R295 sin actuador (pedir por separado).
- Doble colector R586.
- By-pass regulables R147N, para protección de circulador.
- Termómetros de impulsión y retorno con escala 0÷120°C.
- Válvulas de corte.

R586H1

CÓDIGO	MEDIDA	€/ud	□	⊞
R586HY011	180 mm	423,70	1	-
R586HY012	130 mm	421,50	1	-



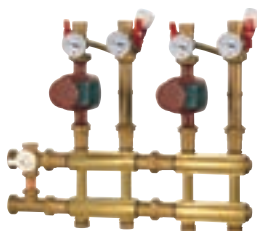
Conjunto de material para construcción de grupo hidráulico para gestión de circuito secundario en instalaciones de calefacción y/o refrescamiento. Conexión hembra de 1".

Formado por:

- Válvula mezcladora R296 sin actuador (pedir por separado).
- Colector R586.
- By-pass regulable R147N, para protección de circulador.
- Termómetros de impulsión y retorno con escala 0÷120°C.
- Válvulas de corte.

R586H2

CÓDIGO	MEDIDA	€/ud	□	⊞
R586HY021	180 mm	777,45	1	-
R586HY022	130 mm	773,00	1	-



Conjunto de material para construcción de grupo hidráulico doble para gestión de dos circuitos secundarios en instalaciones de calefacción y/o refrescamiento. Conexión hembra de 1".

Formado por:

- Válvula mezcladora R296 sin actuador (pedir por separado).
- Doble colector R586.
- By-pass regulables R147N, para protección de circulador.
- Termómetros de impulsión y retorno con escala 0÷120°C.
- Válvulas de corte.

R586Q1

CÓDIGO	MEDIDA	€/ud	□	⊞
R586QY011	180 mm	409,65	1	-



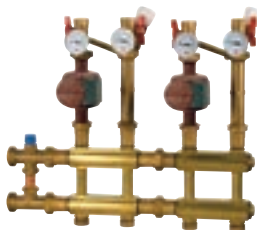
Conjunto de material para construcción de grupo hidráulico para gestión de circuito secundario en instalaciones de calefacción y/o refrescamiento. Conexión hembra de 1".

Formado por:

- Válvula mezcladora R298 sin actuador (pedir por separado).
- Colector R586.
- By-pass regulable R147N, para protección de circulador.
- Termómetros de impulsión y retorno con escala 0÷120°C.
- Válvulas de corte.

R586Q2

CÓDIGO	MEDIDA	€/ud	□	⊞
R586QY021	180 mm	739,75	1	-



Conjunto de material para construcción de grupo hidráulico doble para gestión de dos circuitos secundarios en instalaciones de calefacción y/o refrescamiento. Conexión hembra de 1".

Formado por:

- Válvula mezcladora R298 sin actuador (pedir por separado).
- Doble colector R586.
- By-pass regulables R147N, para protección de circulador.
- Termómetros de impulsión y retorno con escala 0÷120°C.
- Válvulas de corte.

K274

CÓDIGO	MEDIDA	€/ud	□	⊞
K274Y101	230V - 3 puntos	161,80	1	-
K274Y102	24V - 3 puntos	169,60	1	-

Actuador para control de válvula mezcladora R296.

Alimentación a 24V o 230V (según versión).

Grado de protección IP54.

Temperatura ambiente de funcionamiento -5÷55°C.

Posibilidad de control automático en combinación con la termoregulación bus de Giacomini.



K275-1

CÓDIGO	MEDIDA	€/ud	□	⊞
K275Y013	24V - 0÷10V	175,60	1	-
K275Y011	230V - 3 puntos	138,60	1	-

Actuador para control de válvula mezcladora R296 y R297.

Posibilidad de cambiar el sentido de rotación.

Grado de protección IP44.

Temperatura ambiente de funcionamiento: 0÷55°C



K275

CÓDIGO	MEDIDA	€/ud	□	⊞
K275Y002	24V/230V	292,15	1	-

Actuador con regulador de temperatura integrado, para control de válvula mezcladora R296.

Posibilidad de control en los siguientes parámetros:

- Sentido de rotación (derecha-horario / izquierda-antihorario).
- Distintos rangos de temperatura según aplicación.
- Factor de reacción x1/x10.

Posibilidad de desbloqueo manual.

Alimentación: 24Vac, 50Hz (230V, 50Hz con adaptador, incluido).

Grado de protección IP44.

Temperatura ambiente de funcionamiento 0÷55°C.



K281

CÓDIGO	MEDIDA	€/ud	□	⊞
K281X022	24V - 3 puntos flotantes	155,35	1	-
K281X012	24V - 0÷10V	163,65	1	-

Actuador para control de válvula mezcladora R298, R298N. Alimentación a 24V.

Funcionamiento en combinación con la regulación Giacomini.

Temperatura ambiente 0÷55°C.



K282

CÓDIGO	MEDIDA	€/ud	□	⊞
K282X022	24V	244,30	1	-

Actuador para control automático de válvula mezcladora R298, R298N.

Incluye sonda de temperatura de impulsión y regulación electrónica digital integrada.

Alimentación 24V.

Temperatura ambiente de funcionamiento 0÷55°C.



R588G

CÓDIGO	MEDIDA	€/ud	□	⊞
R588GY001	-	20,80	1	-

Soporte para colector R586.



R586K

CÓDIGO	MEDIDA	€/ud	□	⊞
R586KY001	180 mm	55,10	1	-

Conjunto aislante para grupo universal.



SH-DN

CONTROL 0÷10V

CÓDIGO	MEDIDA	EURO/pcs.	□	⊞
SH-DN25-10	DN25/1"	413,35	1	-
SH-DN32-10	DN32/1" 1/4	471,60	1	-
SH-DN40-10	DN40/1" 1/2	591,15	1	-
SH-DN50-10	DN50/2"	715,40	1	-

CONTROL 3 PUNTOS

CÓDIGO	CARACTERÍSTICAS	EURO/pcs.	□	⊞
SH-DN25-3P	DN25/1"	376,45	1	-
SH-DN32-3P	DN32/1" 1/4	434,60	1	-
SH-DN40-3P	DN40/1" 1/2	554,15	1	-
SH-DN50-3P	DN50/2"	678,40	1	-



Conjunto de material para instalación de subcentral hidráulica, formado por:

- Válvula mezcladora R297
- Motor para válvula mezcladora
- Válvulas de esfera (4 unidades)
- Filtro en Y
- Válvula de retención
- Termómetro (2 unidades)
- Vaina para termómetro (4 unidades)

> SEPARADORES HIDRÁULICOS Y DESFANGADORES

R146I

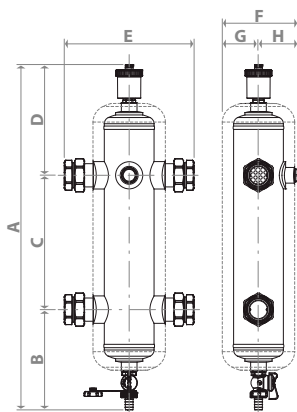
CONEXIÓN ROSCADA

CÓDIGO	MEDIDA	€/ud		
R146IY005	1"	347,15	1	-
R146IY006	1 1/4"	414,75	1	-
R146IY007	1 1/2"	481,75	1	-
R146IY008	2"	597,85	1	-

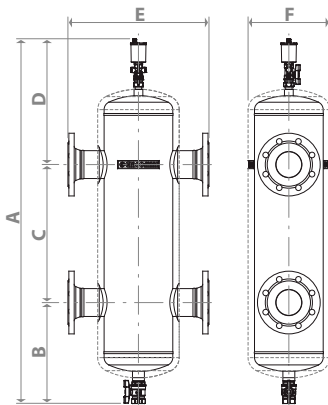
CONEXIÓN EMBRIDADA

CÓDIGO	MEDIDA	€/ud		
R146IY105	DN50	1.376,90	1	-
R146IY106	DN65	1.408,90	1	-
R146IY108	DN80	1.791,65	1	-
R146IY110	DN100	2.053,10	1	-
R146IY112	DN125	3.402,55	1	-
R146IY115	DN150	3.872,05	1	-

VERSIÓN ROSCADA



VERSIÓN EMBRIADA



CONEXIÓN ROSCADA



CONEXIÓN EMBRIADA



Separador hidráulico para independizar hidráulicamente el circuito primario (producción) y circuito secundario (uso).

Fabricado en acero pintado. Conexiones roscadas o embriadas.

Aislamiento con coquilla preformada de 20mm.

Incluye purgador automático, grifo de descarga con toma de manguera y tapón con juntas.

Válido para agua o solución glicolada (máximo 30% para versión roscada, máximo 50% para versión embriada).

Temperatura máxima de trabajo 110°C.

Presión máxima de trabajo 10bar.

NOTAS

VERSIÓN ROSCADA:

Conexiones ISO 228 (cilíndrica) para 1" y 1 1/4" e ISO 7/1 (cónica) para 1 1/2" y 2".

Aislamiento: espuma poliuretánica expandida rígida de célula cerrada, con revestimiento externo en aluminio con relieve de 0,7mm (densidad 40Kg/m³, conductividad térmica 0,0235W/mK, Clase 1 de reacción al fuego para revestimiento externo).

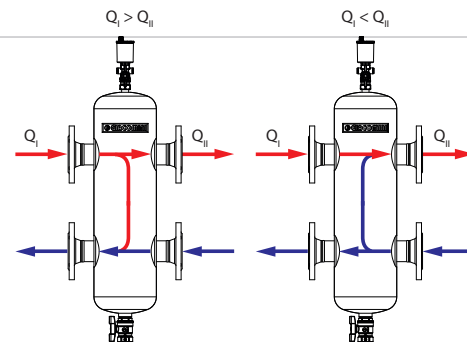
VERSIÓN EMBRIDADA:

BRIDA EN 1092-1 PN16.

Aislamiento: Polietileno expandido de célula cerrada (densidad 30Kg/m³, conductividad térmica 0,038W/mK, clase B2 de reacción al fuego).

ESQUEMA DE FLUJO

El separador hidráulico permite independizar el caudal del circuito primario del caudal del circuito secundario. En el caso que el caudal de un circuito, primario o secundario, supere el otro, una parte es By-paseada dentro del separador. Es posible, de este modo, tener de producción a caudal constante y un circuito de distribución a caudal variable.



DATOS TÉCNICOS Y DIMENSIONES

CÓDIGO	CONEXIÓN		CONEXIÓN GRIFO DESCARGA	AISLAMIENTO	CAUDAL MAX [m ³ /h]	VOLUMEN [litros]	PESO [kg]	DIMENSIONES [mm]							
	TIPO	DIMENSIONES						A	B	C	D	E	F	G	H
R146IY005	roscado	1"	1/2" M con racor portamanguera	espuma poliuretánica expandida rígida a célula cerrada.	2,5	1,5	2,7	572	167	220	185	213	123	59	64
R146IY006		1 1/4"			4	2,5	3,7	617	179	240	198	232	136	65	71
R146IY007		1 1/2"			6	4,5	5,7	667	194	260	213	310	161	78	83
R146IY008		2"			9	7,2	7,2	712	207	280	225	353	187	91	96
R146IY105	embriado	DN50	1" H	polietileno expandido a célula cerrada	10,5	10	19	884	262	280	342	330	181		
R146IY106		DN65			17,5	17	25	1004	282	360	362	360	210		
R146IY108		DN80			25	36	36	1164	322	440	402	450	260		
R146IY110		DN100			42	66	48	1284	352	500	432	500	314		
R146IY112		DN125			65	105	73	1484	402	600	482	550	365		
R146IY115		DN150			95	109	97	1683	452	700	531	600	397		

R146IM

CONEXIÓN ROSCADA

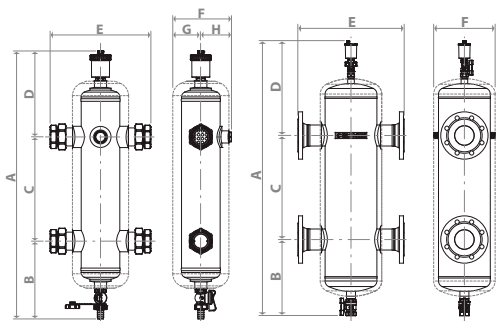
CÓDIGO	MEDIDA	€/ud	<input type="checkbox"/>	<input type="checkbox"/>
R146IM005	1"	370,30	1	-
R146IM006	1 1/4"	432,30	1	-
R146IM007	1 1/2"	505,00	1	-
R146IM008	2"	620,00	1	-

CONEXIÓN EMBRIDADA

CÓDIGO	MEDIDA	€/ud	<input type="checkbox"/>	<input type="checkbox"/>
R146IM105	DN50	1.864,45	1	-
R146IM106	DN65	1.884,65	1	-
R146IM108	DN80	2.286,00	1	-
R146IM110	DN100	2.450,30	1	-
R146IM112	DN125	3.816,85	1	-
R146IM115	DN150	4.248,60	1	-

VERSIÓN ROSCADA

VERSIÓN EMBRIDADA



CONEXIÓN ROSCADA Y CONEXIÓN EMBRIDADA



Separador hidráulico con núcleo magnético para separación y eliminación de impurezas sólidas. Incluye purgador automático, grifo de descarga con toma de manguera, barra magnética y aislamiento.

Fabricado en acero pintado. Conexiones roscadas o embriadas.

Válido para agua o solución glicolada (máximo 30% para versión roscada y 50% para versión embriada). Temperatura máxima de trabajo 110°C.

Presión máxima de trabajo 10bar.

NOTAS

VERSIÓN ROSCADA:

Conexiones ISO 228 (cilíndrica) para 1" y 1 1/4" e ISO 7/1 (cónica) para 1 1/2" y 2".

Aislamiento: PE expandido con revestimiento externo en aluminio gofrado, grosor 20mm y densidad 30Kg/m³, conductividad térmica 0,038W/mK, Clase B2 de reacción al fuego.

VERSIÓN EMBRIDADA:

BRIDA EN 1092-1 PN16.

Aislamiento: Polipropileno de 20mm y densidad 30Kg/m³. Conductividad térmica 0,039 W/mK. Clase B2 de protección al fuego.

DATOS TÉCNICOS Y DIMENSIONES

CÓDIGO	CONEXIÓN		CONEXIÓN GRIFO DESCARGA	AISLAMIENTO	CAUDAL MAX [m ³ /h]	VOLUMEN [litros]	PESO [kg]	DIMENSIONES [mm]							
	TIPO	DIMENSIONES						A	B	C	D	E	F	G	H
R146IM005	roscado	1"	1/2" M con racor portamanguera	PE de celda abierta con revestimiento en aluminio gofrado	2,5	1,5	2,7	572	167	220	185	213	123	59	64
R146IM006		1 1/4"			4	2,5	3,7	617	179	240	198	232	136	65	71
R146IM007		1 1/2"			6	4,5	5,7	667	194	260	213	310	161	78	83
R146IM008		2"			9	7,2	7,2	712	207	280	225	353	187	91	96
R146IM105	embriado	DN50	1" H	polipropileno	10,5	10	19	884	262	280	342	330	181		
R146IM106		DN65			17,5	17	25	1004	282	360	362	360	210		
R146IM108		DN80			25	36	36	1164	322	440	402	450	260		
R146IM110		DN100			42	66	48	1284	352	500	432	500	314		
R146IM112		DN125			65	105	73	1484	402	600	482	550	365		
R146IM115		DN150			95	109	97	1683	452	700	531	600	397		

R146C

CÓDIGO	MEDIDA	€/ud	<input type="checkbox"/>	<input type="checkbox"/>
R146CX004	3/4" M	97,15	1	10
R146CX005	1" M	139,90	1	10



Desfangador magnético compacto para separación y eliminación de las impurezas presentes en la instalación.

Cuerpo en latón niquelado con conexiones roscadas.

Incluye purgador, grifo de descarga orientable, filtro en acero inoxidable para separación de impurezas.

Válido para agua o solución glicolada (máximo 50%).

Temperatura máxima de trabajo 110°C.

Presión máxima de trabajo 16bar.

NOTAS

Accesorios disponibles:

R254P y R176P para versión 3/4"

R254P

NO CROMADA

CÓDIGO	MEDIDA	€/ud	<input type="checkbox"/>	<input type="checkbox"/>
R254PY034	3/4"x3/4"	5,25	1	50

Válvula de esfera cromada con conexión macho-hembra con tuerca y junta plana, específica para contadores. Accionamiento por palomilla roja. Válida para instalaciones hidráulicas.

Rango de temperatura -20 ÷ 185 °C.



R176P

CÓDIGO	MEDIDA	€/ud	<input type="checkbox"/>	<input type="checkbox"/>
R176PY008	3/4Fx3/4F	12,00	1	250

Racor prolongador base adaptador, acabado cromado, con tuerca loca. Conexión para adaptador de tubo de cobre, plástico o multicapa.

Longitud 30mm.

Rango de temperatura 5 ÷ 110 °C.

Presión máxima de trabajo 10bar.



R146D

CONEXIÓN ROSCADA

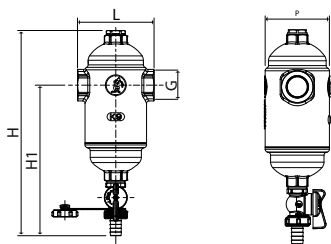
CÓDIGO	MEDIDA	€/ud	<input type="checkbox"/>	<input type="checkbox"/>
R146DY014	3/4"	94,40	1	-
R146DY015	1"	98,10	1	-
R146DY016	1 1/4"	107,50	1	-
R146DY017	1 1/2"	113,80	1	-
R146DY018	2"	114,20	1	-

CONEXIÓN EMBRIADA

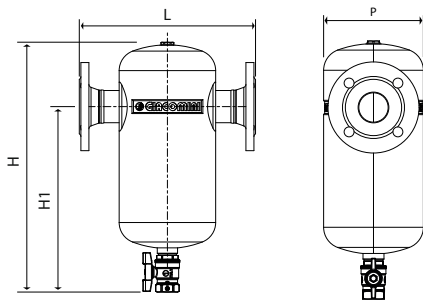
CÓDIGO	MEDIDA	€/ud	<input type="checkbox"/>	<input type="checkbox"/>
R146DY105	DN50	1.132,65	1	-
R146DY106	DN65	1.189,60	1	-
R146DY108	DN80	1.491,40	1	-
R146DY110	DN100	2.070,80	1	-
R146DY112	DN125	3.406,50	1	-
R146DY115	DN150	3.945,75	1	-

El desfangador permite la separación y eliminación de las impurezas presentes en el circuito hidráulico de los sistemas de calefacción y climatización modernos. Las impurezas vienen separadas mediante un conjunto de superficies metálicas reticulares dispuestas radialmente que generando movimientos giratorios y colisiones permiten la separación y precipitación en la parte inferior, donde pueden ser evacuadas mediante el grifo de descarga.

VERSIÓN ROSCADA



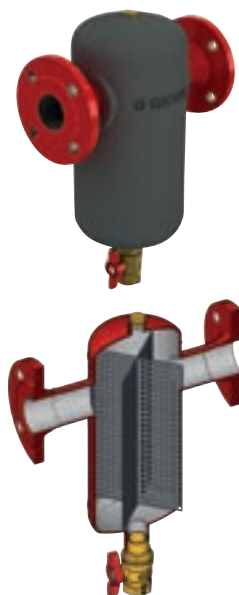
VERSIÓN EMBRIADA



CONEXIÓN ROSCADA



CONEXIÓN EMBRIADA



Desfangador para separación y eliminación de las impurezas presentes en la instalación.

Utilizable como desaireador-desfangador mediante instalación de purgador R99S (no incluido) en conexión superior.

Cuerpo en latón con conexiones roscadas o cuerpo en acero con conexiones embriadas (con aislamiento incluido).

Incluye grifo de descarga con toma de manguera, tapón con juntas y filtro de acero para separación de impurezas.

Válido para agua o solución glicolada (máximo 30% para versión roscada, máximo 50% para versión embriada).

Temperatura máxima de trabajo 110°C.

Presión máxima de trabajo 10bar.

NOTAS

Conexión superior de 1/2"H con tapón.

VERSIÓN ROSCADA

Conexión ISO.

VERSIÓN EMBRIADA

Bridas EN 1092-1 PN16.

Aislamiento: polietileno expandido de célula cerrada de 20mm de grosor (densidad 30Kg/m³, conductividad térmica 0,038W/mK, clase B2 de reacción al fuego).

DATOS TÉCNICOS Y DIMENSIONES

CÓDIGO	CUERPO	CONEXIÓN		CAUDAL MAX [m ³ /h]	VOLUMEN [litros]	PESO [kg]	DIMENSIONES [mm]				
		TIPO	DIMENSIONES				L	H	H1	P	
R146DY014	latón CW617 (UNI EN 12165)	roscado	3/4"	1,5	0,45	2	97	260	191	78	
R146DY015			1"	2,5	0,46						88
R146DY016			1 1/4"	4	0,60						
R146DY017			1 1/2"	6	0,62						
R146DY018			2"	9	0,69						
R146DY105	acero pintado	embriado	DN50	10,5	5,7	11	330	468	347	181	
R146DY106			DN65	17,5	9,6	15	360	528	392	210	
R146DY108			DN80	25	19,3	22	450	608	462	260	
R146DY110			DN100	42	33,6	30	500	668	502	314	
R146DY112			DN125	65	55,5	43	550	768	577	365	
R146DY115			DN150	95	78,8	60	600	868	622	397	

R146M

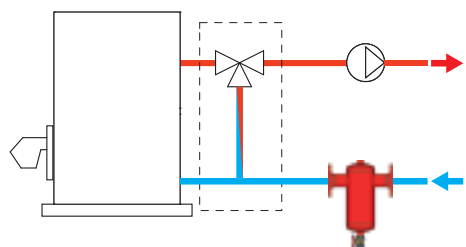
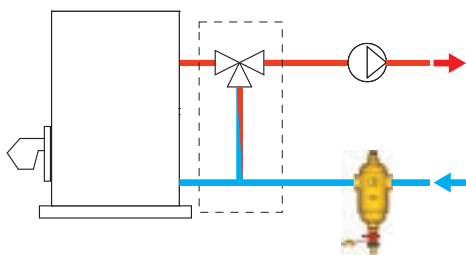
CONEXIÓN ROSCADA

CÓDIGO	MEDIDA	€/ud	□	⊞
R146MY014	3/4"FF	135,70	1	5
R146MY015	1"FF	142,35	1	5
R146MY016	1 1/4"FF	152,85	1	5
R146MY017	1 1/2"FF	153,90	1	5
R146MY018	2"FF	156,65	1	5

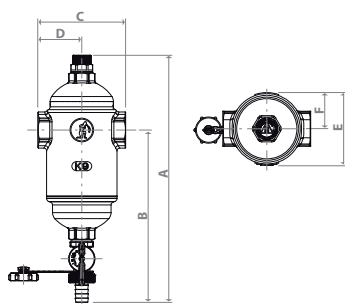
CONEXIÓN EMBRIADA

CÓDIGO	MEDIDA	€/ud	□	⊞
R146MY105	DN50	1.190,25	1	-
R146MY106	DN65	1.249,60	1	-
R146MY108	DN80	1.553,70	1	-
R146MY110	DN100	2.103,05	1	-
R146MY112	DN125	3.453,05	1	-
R146MY115	DN150	4.029,15	1	-

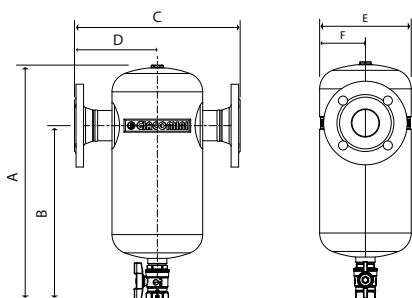
INSTALACIÓN



VERSIÓN ROSCADA



VERSIÓN EMBRIADA



CONEXIÓN ROSCADA



CONEXIÓN EMBRIADA



Desfangador magnético para separación y eliminación de las impurezas presentes en la instalación.

Cuerpo en latón con conexiones roscadas (aislamiento opcional R146W) o cuerpo en acero con conexiones embriadas, con aislamiento incluido.

Incluye kit magnético P146M.

Incluye grifo de descarga con toma de manguera y filtro de acero para separación de impurezas.

Válido para agua o solución glicolada (máximo 30% para versión roscada, máximo 50% para versión embriada).

Temperatura máxima de trabajo 110°C.

Presión máxima de trabajo 10bar

NOTAS

VERSIÓN ROSCADA:

Kit magnético con conexión 1/2"M.

Conexión roscada con hembra ISO 228.

VERSIÓN EMBRIADA:

Kit magnético con conexión 1/2"M.

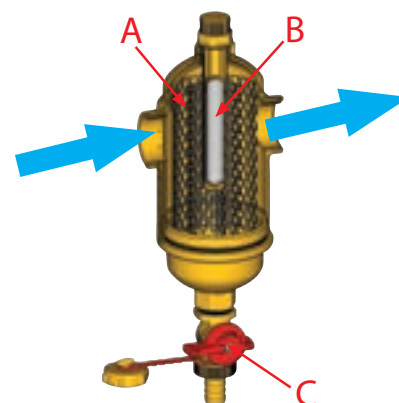
Bridas EN 1092-1 PN16

Aislamiento: polietileno expandido de célula cerrada de 20mm de grosor (densidad 30Kg/m3, conductividad térmica 0,038W/mK, clase B2 de reacción al fuego).

FUNCIONAMIENTO

El flujo entra en el desfangador y sufre una ralentización que favorece la separación de impurezas sólidas presentes en el fluido. Las impurezas sólidas son separadas posteriormente a la colisión con la malla metálica(A) las ferrosas son atraídas por el iman central (B).

Es posible realizar la limpieza del filtro sin desmontarlo y/o parar la instalación, abriendo el grifo de descarga (C) y extrayendo el iman (B) de la vaina por la parte superior.



DATOS TÉCNICOS Y DIMENSIONES

CÓDIGO	CUERPO	CONEXIÓN		CONEXIÓN GRIFO DESCARGA	CAUDAL MAX [m³/h]	VOLU-MEN [litros]	PESO [kg]	DIMENSIONI [mm]												
		TIPO	DIMENSIONES					A	B	C	D	E	F							
R146MY014	latón CW617 (UNI EN 12165)	roscado	3/4"	1/2"M con racor portamanguera	1,5	0,45	2	274	191	97	49	81	40							
R146MY015			1"		2,5	0,46														
R146MY016			1 1/4"		4	0,60														
R146MY017			1 1/2"		6	0,62														
R146MY018			2"		9	0,69	2,7	277	186	135	68	91	45							
R146MY105	acero pintado	embriado	DN50	1"H	10,5	5,7	11	468	347	330	165	181	90							
R146MY106			DN65		17,5	9,6								15	528	392	360	180	210	105
R146MY108			DN80		25	19,3								22	608	462	450	225	260	130
R146MY110			DN100		42	33,6								30	668	502	500	250	314	157
R146MY112			DN125		65	55,5								43	768	577	550	275	365	182
R146MY115			DN150		95	78,8								60	868	622	600	300	397	198

P146M

CÓDIGO	MEDIDA	€/ud	□	⊞
P146MY002	1/2" - largo 90mm	32,65	1	25
P146MY003	1/2" - largo 110mm	33,35	1	25
P146MY103	1/2" - largo 245mm	84,35	1	10
P146MY104	1/2" - largo 375mm	85,40	1	10
P146MY105	1/2" - largo 395mm	109,30	1	10



Kit magnético par adensfangador y separador hidráulico compuesto de vaina e imán.

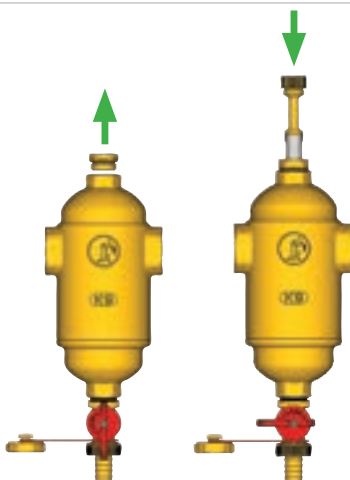
NOTAS

P146M PARA DESFANGADOR:
 P146MY003: para todos los desfangadores con conexión roscada.
 P146MY103: para desfangadores embridados DN50, DN65 y DN80.
 P146MY104: para desfangadores embridados DN100 y DN125.
 P146MY105: para desfangadores embridados DN150.

P146M PARA SEPARADORES HIDRÁULICOS:
 P146MY002: para separadores roscados de 1" y 1 1/4".
 P146MY003: para separadores roscados de 1 1/2" y 2".

INSTALACIÓN DEL KIT P146M EN EL DESFANGADOR R146D VERSIÓN ROSCADA

- 1) Quitar el tapón presente en la parte superior del desfangador, girándolo en el sentido contrario a las agujas del reloj.
- 2) Insertar el kit P146M de la parte superior del desfangador en la zona del tapón, enroscándolo en el sentido de las agujas del reloj.



P146C

CÓDIGO	MEDIDA	€/ud	□	⊞
P146CY001	3/8" - largo 51 mm	19,35	1	5
P146CY011	3/8" - largo 81 mm	32,10	1	5



Kit magnético para desfangador magnético compacto R146C.

NOTAS

P146CY001: Para R146C de 3/4".
 P146CY011: Para R146C de 1".

R146W

CÓDIGO	MEDIDA	€/ud	□	⊞
R146WY001	para desf. 3/4" y 1"	49,95	1	5
R146WY002	para desf. 1 1/4" y 1 1/2"	50,85	1	5
R146WY003	para desf. 2"	52,80	1	5



Aislamiento en polietileno expandido reticulado para desfangador serie R146M y R146 con conexión roscada hembra.

NOTAS

Aislamiento en polietileno expandido de célula cerrada de 20mm de grosor (densidad 30Kg/m³, conductividad térmica 0,038W/mK, clase B2 de reacción al fuego).

> RECAMBIOS PARA GRUPO HIDRÁULICO

R295

CÓDIGO	MEDIDA	€/ud	□	⊞
R295Y001	1 1/2"	161,45	1	10



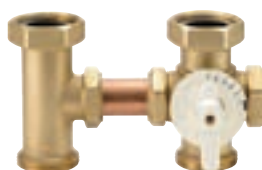
Válvula mezcladora de cuatro vías a esfera. Motorizable. Conexión con junta plana y T de by-pass (separación 120mm).

NOTAS

Combinar con el actuador K274 o K275.

R296

CÓDIGO	MEDIDA	€/ud	□	⊞
R296Y001	1" 1/2	133,15	-	-



Válvula mezcladora de tres vías a esfera. Motorizable. Conexión con junta plana y T de by-pass (separación 120mm). Temperatura máxima de trabajo 110°C. Presión máxima de trabajo 10bar.

NOTAS

Actuador compatible: K274 (no incluido)

R298

CÓDIGO	MEDIDA	€/ud	□	⊞
R298Y027	1" 1/2	82,85	1	-



Válvula mezcladora de tres vías a pistón. Motorizable. Conexión con junta plana y T de by-pass (separación 120mm). Temperatura máxima de trabajo 90°C. Presión máxima de trabajo 10bar.

NOTAS

Combinar con el actuador K281 o K282.

Para la instalación horizontal de la válvula mezcladora utilizar la reducción R197P (incluida).

R298N

CÓDIGO	MEDIDA	€/ud	□	⊞
R298Y024	3/4"	43,20	1	10



Válvula mezcladora de tres vías a pistón. Motorizable. Conexión rosca hembra. Temperatura máxima de trabajo 90°C. Presión máxima de trabajo 10bar.

NOTAS

Combinar con el actuador K281 o K282.

R297

CONEXIÓN ROSCADA

CÓDIGO	MEDIDA	€/ud	□	⊞
R297Y004	3/4" FF	64,20	1	5
R297Y005	1" FF	74,15	1	5
R297Y006	1 1/4" FF	88,40	1	5
R297Y007	1 1/2" FF	155,75	1	5
R297Y008	2" FF	183,95	1	5

CONEXIÓN EMBRIADA

CÓDIGO	MEDIDA	€/ud	□	⊞
R297Y105	DN50	458,60	1	-
R297Y106	DN65	527,90	1	-
R297Y108	DN80	730,50	1	-
R297Y110	DN100	890,95	1	-
R297Y112	DN125	1.181,00	1	-

R275Y001	Kit conexión versión embriada	11,45	1	-
----------	-------------------------------	-------	---	---



Válvula mezcladora de tres vías rotativa. Rango de temperatura: 5-110°C. Presión máxima de trabajo (roscada): 10bar. Presión máxima de trabajo (embriada): 6bar.

NOTAS

Combinar con actuador K275 o K275-1

Para la instalación del actuador K275 o K275-1 sobre la R297 versión embriada es necesario instalar el kit P275Y001.

R182AM

CÓDIGO	MEDIDA	€/ud	□	⊞
R182MY002	1" 1/4	46,65	1	-

Juego de cogos, T y alargador para conexión a grupo universal, con autojuntas.



R586

CÓDIGO	MEDIDA	€/ud	□	⊞
R586Y001	1 1/4"x1"	127,15	1	-

Colector universal con conexiones hembra de 1 1/4" y macho de 1". Distancia entre ejes 120mm.



R592D

CROMADAS

CÓDIGO	MEDIDA	€/ud	□	⊞
R592DY006	1" 1/4	4,00	20	200

Tapón terminal para colector, en latón, con autojunta.



R594

CÓDIGO	MEDIDA	€/ud	□	⊞
R594Y004	1"	2,45	25	250

Tapa conexión hembra para colectores.



R20DL

CÓDIGO	MEDIDA	€/ud	□	⊞
R20DY016	1" 1/4	18,40	1	20

Racor 3 piezas recto macho-macho, con autojuntas.



R19DL

CÓDIGO	MEDIDA	€/ud	□	⊞
R19DY016	1" 1/4	20,70	1	-

Racor 3 piezas curvo macho-macho, con autojuntas.



R252

CÓDIGO	MEDIDA	€/ud	□	⊞
R252Y001	1 1/2"x1"	10,00	2	50

Válvula de esfera con tuerca loca, para conexión a bomba circuladora o válvula mezcladora. Junta plana incluida. Accionamiento por destornillador. Rango de temperatura 5 ÷ 110 °C. Presión máxima de trabajo 7bar.



R197P

CÓDIGO	MEDIDA	€/ud	□	⊞
R197PY001	1 1/2"x1 1/4"	4,95	1	-

Reducción para instalación horizontal de válvulas mezcladoras R295, R296 y R298.



R197

CÓDIGO	MEDIDA	€/ud	□	⊞
R197Y001	130 mm	16,70	1	50
R197Y002	180 mm	19,90	1	36

Distanciador equivalente a circulador.



R197C

CÓDIGO	MEDIDA	€/ud	□	⊞
R197CY001	101 mm	14,95	1	-

Distanciador para sustitución de válvula mezcladora. Permite instalación de aislamiento R586K.



R197M

CÓDIGO	MEDIDA	€/ud	□	⊞
R197MY001	130 mm	36,60	1	10
R197MY002	180 mm	42,10	1	10

Conjunto de válvulas de esfera y distanciador equivalente a circulador.



R287

CÓDIGO	MEDIDA	€/ud	□	⊞
R287Y005	1"x1 1/2"	19,35	1	4

Válvula de esfera con tuerca loca, conexión hembra de 1/2" para termómetro R540.



R287M

CÓDIGO	MEDIDA	€/ud	□	⊞
R287MY005	1"x1 1/2"	65,75	1	10

Juego de dos válvulas R287 con termómetros R540, válvula de retención R288 y tapones de 1/2".



R288

CÓDIGO	MEDIDA	€/ud	□	⊞
R288Y005	1"	2,00	1	25
R288Y006	1" 1/4	2,40	1	25

Retención en plástico para válvulas de esfera serie R285, R285L y R287M.



R284

CÓDIGO	MEDIDA	€/ud	□	⊞
R284Y001	3/4"	32,10	1	-

Válvula de presión diferencial para grupo universal, con tubo Ø18mm y racores para conexión a válvula R287.



P76W

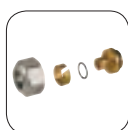
CÓDIGO	MEDIDA	€/ud	□	⊞
P76WIY013	1 1/2"-130mm	335,90	1	-

Bomba circuladora automodulante, con índice de eficiencia energética conforme a la directiva ErP 2009/125/CE.



Fontanería y calefacción

> Sistema de expansión GX - Tubo	106
> Sistema de expansión GX - Accesorios	107
> Sistema de expansión GX - Colectores	111
> Sistema de expansión GX - Herramientas	113
> Sistema press fitting RM - Tubo	115
> Sistema press fitting RM - Accesorios	116
> Sistema press fitting RM - Colectores	122
> Sistema press fitting RM - Herramientas	124
> Sistema adaptador AM para multicapa y plástico - Tubo	125
> Sistema adaptador AM para multicapa y plástico - Adaptadores	126
> Sistema adaptador AM para multicapa y plástico - Accesorios	128
> Sistema adaptador AM para multicapa y plástico - Colectores	131
> Sistema adaptador AM para multicapa y plástico - Herramientas	133
> Sistema adaptador para cobre - Adaptadores	134
> Sistema adaptador para cobre - Accesorios	136
> Sistema adaptador para cobre - Colectores	141
> Sistema adaptador para cobre - Herramientas	143
> Sistema adaptador para cobre - Recambios	143
> Colectores premontados	144
> Colectores premontados con regulación de temperatura	147
> Colectores modulares	150
> Colectores componibles	153
> Colectores simples	154
> Cajas y soportes para colector	157
> Accesorios para colector	161
> Recambios para colector	165
> Herramientas para colector	166



> SISTEMA DE EXPANSIÓN GX - TUBO

GX (Giacomini Expansion System) es un sistema de distribución para instalaciones sanitarias e instalaciones de calefacción y refrigeración, constituido por tubos giacoflex y racores de latón con estanqueidad garantizada mediante un anillo polimérico. La estanqueidad y fiabilidad para todo el ciclo de vida útil de la instalación están garantizadas por la memoria de forma de los componentes plásticos y el especial perfil de los racores.

El sistema GX, para realizar las conexiones de la instalación, aprovecha la memoria de forma de los materiales plásticos de sus componentes maximizando su rendimiento gracias al especial perfil de los racores. La expansión gradual de la tubería acoplada al anillo permite introducir el racor, que en un tiempo muy breve será bloqueado por la fuerza generada por el retorno elástico de los elementos poliméricos.

Al término del procedimiento de union, la junta tiene características mecánicas superiores a las del tubo.

TUBO PARA FONTANERÍA

R996

ROLLO					
CÓDIGO	MEDIDA	€/m	□	⊞	
R996Y150	16x1,8	2,10	100	-	
R996Y143	20x1,9	2,55	50	-	
R996Y144	25x2,3	3,95	50	-	
BARRA					
CÓDIGO	MEDIDA	€/m	□	⊞	
R996Y151	16x1,8	2,10	4	100	
R996Y152	20x1,9	2,70	4	100	
R996Y153	25x2,3	4,10	4	100	
R996Y154	32x2,9	6,45	4	40	
R996Y146	40x3,7	10,85	4	40	



Tubo Giacotherm en polietileno reticulado PEX-b. Idóneo para clase de aplicación 1, 2, 4 y 5 - Válido para fontanería.

R993

CÓDIGO	MEDIDA	€/m	□	⊞	
R993Y010	16x1,8	3,00	50	-	
R993Y044	20x1,9	4,00	50	-	

Tubo en polietileno reticulado PEX-b color neutro, suministrado en vaina de PE-HD color azul, para aplicaciones de fontanería PN6.



R994

CÓDIGO	MEDIDA	€/m	□	⊞	
R994Y010	16x1,8	3,00	50	-	
R994Y044	20x1,9	4,00	50	-	

Tubo en polietileno reticulado PEX-b color neutro, suministrado en vaina de PE-HD color rojo, para aplicaciones de fontanería PN6.



TUBO PARA FONTANERÍA Y CALEFACCIÓN

R996

ROLLO					
CÓDIGO	MEDIDA	€/m	□	⊞	
R996Y140	16x1,8	2,20	100	-	
R996Y141	16x1,8	2,15	240	-	
R996Y142	16x1,8	2,10	600	-	
R996Y157	20x1,9	2,85	100	-	
R996Y159	25x2,3	3,60	50	-	
BARRA					
CÓDIGO	MEDIDA	€/m	□	⊞	
R996Y155	16x1,8	2,30	4	100	
R996Y156	20x1,9	2,90	4	100	
R996Y158	25x2,3	4,55	4	100	
R996Y160	32x2,9	7,95	4	40	
R996Y161	40x3,7	12,20	4	40	



Tubo Giacotherm en polietileno reticulado PEX-b. Idóneo para clase de aplicación 1, 2, 4 y 5 - Agua sanitaria y calefacción/refrigeración según modelo.

TUBO PARA FONTANERÍA Y CALEFACCIÓN - ALTA PRESIÓN

R996

ROLLO Y BARRA					
CÓDIGO	MEDIDA	€/m	□	⊞	
R996Y130	16x2,2	2,45	100	-	
R996Y131	20x2,8	3,35	100	-	
R996Y132	25x3,5	4,65	50	-	
R996Y135	32x4,4	9,15	4	-	
R996Y134	40x5,5	15,05	4	-	



Tubo Giacotherm en polietileno reticulado PEX-b. Idóneo para clase de aplicación 1, 2, 4 y 5 - Agua sanitaria y calefacción/refrigeración según modelo.

> SISTEMA DE EXPANSIÓN GX - ACCESORIOS

GX61

CÓDIGO	MEDIDA	€/ud	□	⊞
GX61Y013	16	0,59	20	300
GX61Y014	20	0,63	20	300
GX61Y015	25	0,68	20	200
GX61Y016	32	1,11	5	200
GX61Y017	40	4,40	5	50



Anillo de fijación para sistema GX. Color blanco.

GX102

CÓDIGO	MEDIDA	€/ud	□	⊞
GX102Y003	16x16	1,95	10	250
GX102Y004	20x20	2,60	10	250
GX102Y005	25x25	5,40	10	100
GX102Y006	32x32	10,20	5	100
GX102Y007	40x40	33,15	1	20



Manguito recto.

GX103

CÓDIGO	MEDIDA	€/ud	□	⊞
GX103Y004	20x16	3,35	10	250
GX103Y005	25x16	4,95	10	100
GX103Y006	25x20	5,15	10	100
GX103Y008	32x20	17,35	5	100
GX103Y009	32x25	18,00	5	100
GX103Y010	40x25	33,85	1	20
GX103Y011	40x32	34,85	1	20



Manguito reducción.

GX107

CÓDIGO	MEDIDA	€/ud	□	⊞
GX107Y033	16x1/2" macho	2,20	10	250
GX107Y043	16x3/4" macho	5,60	10	250
GX107Y034	20x1/2" macho	2,35	10	250
GX107Y044	20x3/4" macho	3,25	10	250
GX107Y054	20x1" macho	5,05	5	100
GX107Y035	25x1/2" macho	3,85	10	250
GX107Y045	25x3/4" macho	3,85	10	250
GX107Y055	25x1" macho	5,15	5	100
GX107Y056	32x1" macho	13,50	5	100
GX107Y067	40x1 1/4" macho	27,65	1	30
GX107Y077	40x1 1/2" macho	33,10	1	20



Racor recto con rosca macho.

GX109

CÓDIGO	MEDIDA	€/ud	□	⊞
GX109Y033	16x1/2" hembra	3,00	10	250
GX109Y043	16x3/4" hembra	6,15	10	250
GX109Y034	20x1/2" hembra	2,90	10	250
GX109Y044	20x3/4" hembra	4,50	10	250
GX109Y045	25x3/4" hembra	5,30	10	100
GX109Y055	25x1" hembra	12,35	5	100
GX109Y056	32x1" hembra	18,30	5	100
GX109Y067	40x1 1/4" hembra	28,65	1	30
GX109Y077	40x1 1/2" hembra	34,40	1	20



Racor recto con rosca hembra.

GX122

CÓDIGO	MEDIDA	€/ud	□	⊞
GX122Y003	16x16	3,80	10	250
GX122Y004	20x20	4,30	10	100
GX122Y005	25x25	8,20	5	50
GX122Y006	32x32	12,25	5	50
GX122Y007	40x40	38,40	1	25



Codo 90°.

GX127

CÓDIGO	MEDIDA	€/ud	□	⊞
GX127Y003	16x1/2" macho	4,05	10	150
GX127Y043	20x1/2" macho	5,00	10	150
GX127Y044	16x3/4" macho	5,95	10	50
GX127Y055	20x3/4" macho	7,15	10	50
GX127Y045	25x3/4" macho	11,25	10	50
GX127Y056	25x1" macho	14,65	5	50
GX127Y066	32x1" macho	21,25	5	50



Racor curvo 90° rosca macho.

GX128

CÓDIGO	MEDIDA	€/ud	□	⊞
GX128X003	16xØ15 L.300	16,00	1	50
GX128X004	20xØ15 L.300	16,90	1	50

Racor curvo 90° con tubo de cobre Ø15.

Acabado cromado.



GX129

CÓDIGO	MEDIDA	€/ud	□	⊞
GX129Y033	16x1/2" hembra	4,15	10	150
GX129Y044	16x3/4" hembra	7,15	10	50
GX129Y034	20x1/2" hembra	4,25	10	150
GX129Y045	20x3/4" hembra	8,25	10	50
GX129Y055	25x3/4" hembra	9,10	10	50
GX129Y056	25x1" hembra	13,80	5	50
GX129Y066	32x1" hembra	17,25	5	50



Racor curvo 90° rosca hembra.

GX139

CÓDIGO	MEDIDA	€/ud	□	⊞
GX139Y003	16x1/2" hembra	7,65	5	50
GX139Y004	20x1/2" hembra	8,45	5	50
GX139Y005	20x3/4" hembra	7,75	5	50
GX139Y006	25x3/4" hembra	13,20	5	50

CODO CORTO

CÓDIGO	MEDIDA	€/ud	□	⊞
GX139Y023	16x1/2" hembra	7,20	5	50
GX139Y024	20x1/2" hembra	7,75	5	50

Racor curvo 90° rosca hembra con soporte para fijación a pared.



GX150

CÓDIGO	MEDIDA	€/ud	□	⊞
GX150Y003	16x16x16	4,60	10	100
GX150Y004	20x20x20	5,35	5	100
GX150Y005	25x25x25	12,55	5	50
GX150Y006	32x32x32	17,85	5	40
GX150Y007	40x40x40	50,90	1	10



Te.

GX151

CÓDIGO	MEDIDA	€/ud	□	▣
GX151Y009	16x20x16	5,80	10	100
GX151Y014	20x16x16	6,25	10	100
GX151Y015	20x16x20	7,00	10	100
GX151Y016	20x20x16	6,70	10	100
GX151Y017	20x25x20	10,85	10	100
GX151Y021	25x16x16	9,45	5	100
GX151Y022	25x16x20	11,25	5	100
GX151Y023	25x16x25	11,25	5	100
GX151Y025	25x20x20	11,00	5	100
GX151Y026	25x20x25	12,50	5	100
GX151Y028	25x25x16	12,60	5	100
GX151Y027	25x25x20	12,35	5	100
GX151Y032	32x20x20	23,40	5	50
GX151Y033	32x20x25	22,45	5	50
GX151Y035	32x25x25	19,95	5	50
GX151Y037	32x32x20	29,10	5	40
GX151Y036	32x25x32	21,70	5	50
GX151Y038	32x32x25	23,65	5	40
GX151Y044	40x20x40	26,50	1	25
GX151Y045	40x25x40	29,35	1	10
GX151Y047	40x32x32	29,10	1	10
GX151Y048	40x32x40	30,05	1	10



Te reducida.

GX152

CÓDIGO	MEDIDA	€/ud	□	▣
GX152Y041	A=20 B=16	12,30	1	25
GX152Y043	A=20 B=16	15,40	1	25

Distribuidor de 4 o 5 vías.



GX153

CÓDIGO	MEDIDA	€/ud	□	▣
GX153Y033	16x1/2"x16 macho	6,45	5	100
GX153Y034	20x1/2"x20 macho	8,10	5	100
GX153Y044	20x3/4"x20 macho	11,05	5	50
GX153Y045	25x3/4"x25 macho	13,80	5	50
GX153Y056	32x1"x32 macho	24,90	5	40

Te rosca macho.



GX154

CÓDIGO	MEDIDA	€/ud	□	▣
GX154Y033	16x1/2"x16 hembra	5,00	5	100
GX154Y034	20x1/2"x20 hembra	5,20	5	100
GX154Y044	20x3/4"x20 hembra	11,35	5	50
GX154Y045	25x3/4"x25 hembra	13,45	5	50
GX154Y056	32x1"x32 hembra	24,45	5	40

Te rosca hembra.



GX158

CÓDIGO	MEDIDA	€/ud	□	▣
GX158X003	16xØ15x16 L.300	28,55	1	50
GX158X004	20xØ15x20 L.300	30,55	1	50

Te inclinada con tubo de cobre Ø15. Acabado cromado.



GX165

CÓDIGO	MEDIDA	€/ud	□	▣
GX165Y003	16	1,70	10	500
GX165Y004	20	3,25	10	250
GX165Y005	25	4,90	10	250

Tapón.



GX179

CÓDIGO	MEDIDA	€/ud	□	▣
GX179Y023	16x16	7,95	10	250
GX179Y033	18x16	5,55	10	250
GX179Y043	1/2"Ex16	5,65	10	250
GX179Y053	3/4"Ex16	5,80	10	250
GX179Y034	20x18	8,65	10	250
GX179Y054	3/4"Ex20	6,40	10	250

Racor recto con rosca tipo adaptador.



GX651

CÓDIGO	MEDIDA	€/ud	□	▣
GX651Y003	16	12,55	1	80
GX651Y004	20	17,35	1	60
GX651Y005	25	25,60	1	40

Válvula de esfera recta con accionamiento por palomilla roja.



GX655

LLAVES RECTAS

CÓDIGO	MEDIDA	€/ud	□	▣
GX655Y403	16	16,20	1	-
GX655Y404	20	17,00	1	-
GX655Y405	25	21,85	1	-
GX655Y406	32	53,55	1	-

LLAVES EN U

CÓDIGO	MEDIDA	€/ud	□	▣
GX655Y433	16	24,25	1	-
GX655Y434	20	25,00	1	-
GX655Y435	25	33,85	1	-
GX655Y436	32	78,80	1	-

Llave de cuarto húmedo con conexiones GX.



GX174

CÓDIGO	MEDIDA	€/ud	□	▣
GX174X401	-	10,00	1	-
GX174X402	-	3,90	1	-
GX174X403	-	11,85	1	-
GX174X404	-	4,95	1	-

Accesorios para llave de cuarto húmedo.

GX174X401: Maneta con palanca vista.

GX174X402: Maneta oculta, material plástico.

GX174X403: Maneta oculta, material metálico.

GX174X404: Prolongador para accionamiento de llave de cuarto húmedo.



R18

CROMADAS

CÓDIGO	MEDIDA	€/ud	□	⊞
R18X002	3/8"	3,20	20	200
R18X003	1/2"	3,90	10	100
R18X004	3/4"	6,30	10	100
R18X005	1"	9,00	5	50
R18X006	1" 1/4	13,75	5	50
R18X007	1" 1/2	30,10	2	20
R18X008	2"	42,10	2	10

NO CROMADAS

CÓDIGO	MEDIDA	€/ud	□	⊞
R18Y002	3/8"	2,95	20	200
R18Y003	1/2"	3,35	10	100
R18Y004	3/4"	5,45	10	100
R18Y005	1"	8,00	5	50
R18Y006	1" 1/4	12,50	5	50
R18Y007	1" 1/2	28,55	2	20
R18Y008	2"	36,45	2	10

Racor recto 3 piezas H-M con junta cónica en unión intermedia. Válido para instalaciones hidráulicas e instalaciones solares térmicas. Rango de temperatura 5 ÷ 160 °C (hasta 1 1/4"), 5 ÷ 110 °C (1 1/2" y 2"). Presión máxima de trabajo 10bar.



R18SP

CÓDIGO	MEDIDA	€/ud	□	⊞
R18SPY005	1"	11,05	5	50
R18SPY006	1 1/4"	18,10	5	25
R18SPY007	1 1/2"	37,75	2	20
R18SPY008	2"	51,85	2	10

Racor recto 3 piezas H-M con junta plana en unión intermedia. Válido para instalaciones hidráulicas. Rango de temperatura 5 ÷ 110 °C. Presión máxima de trabajo 10bar.



R20

CÓDIGO	MEDIDA	€/ud	□	⊞
R20Y004	3/4" x 3/4"	5,75	10	100

Racor recto 3 piezas M-M con junta cónica en unión intermedia. Válido para instalaciones hidráulicas. Rango de temperatura 5 ÷ 110 °C. Presión máxima de trabajo 10bar.



R19

CROMADAS

CÓDIGO	MEDIDA	€/ud	□	⊞
R19X002	3/8"	3,65	10	100
R19X003	1/2"	4,55	10	100
R19X004	3/4"	7,15	5	50
R19X005	1"	11,05	5	50
R19X006	1" 1/4	18,75	2	20
R19X007	1" 1/2	38,90	2	20
R19X008	2"	50,20	2	12

NO CROMADAS

CÓDIGO	MEDIDA	€/ud	□	⊞
R19Y002	3/8"	3,50	10	100
R19Y003	1/2"	4,30	10	100
R19Y004	3/4"	7,15	5	50
R19Y005	1"	10,50	5	50
R19Y006	1" 1/4	17,65	2	20
R19Y007	1" 1/2	35,35	2	20
R19Y008	2"	44,40	2	12

Racor curvo 3 piezas H-M con junta cónica en unión intermedia. Válido para instalaciones hidráulicas e instalaciones solares térmicas. Rango de temperatura 5 ÷ 160 °C (hasta 1 1/4"), 5 ÷ 110 °C (1 1/2" y 2"). Presión máxima de trabajo 10bar.



R573D-1

CÓDIGO	MEDIDA	€/ud	□	⊞
R573DY102	1/2" x 16	10,00	5	50

Codo terminal hembra plastificado con conexión enrasada a pared. Conexión con adaptador para tubo de cobre, plástico o multicapa. Posibilidad de utilizar el tubo de cobre R541N. Para distribución de fontanería desmontable. Rango de temperatura 5 ÷ 110 °C. Presión máxima de trabajo 10bar.



R573D

CÓDIGO	MEDIDA	€/ud	□	⊞
R573DY002	1/2" x 16	9,55	1	-
R573DY003	1/2" x 18	9,60	1	-

Codo terminal hembra plastificado con conexión saliente de pared. Conexión con adaptador para tubo de cobre, plástico o multicapa. Posibilidad de utilizar el tubo de cobre R541N. Para distribución de fontanería desmontable. Rango de temperatura 5 ÷ 110 °C. Presión máxima de trabajo 10bar.



R544

CÓDIGO	MEDIDA	€/ud	□	⊞
R544Y002	1/2" x 16	25,00	1	-
R544Y003	1/2" x 18	25,35	1	-

Codo terminal hembra plastificado con conexión saliente de pared. Doble conexión a tubería para sistema antilegionela. Conexión con adaptador para tubo de cobre, plástico o multicapa. Posibilidad de utilizar el tubo de cobre R541N. Para distribución de fontanería desmontable. Rango de temperatura 5 ÷ 110 °C. Presión máxima de trabajo 10bar.



R541N

CÓDIGO	MEDIDA	€/ud	□	⊞
R541NX001	1/2" x 16	10,55	10	100

Tubo de cobre en acabado cromado pulido, con conexión 1/2" M con autojunta. Longitud 120mm.



R578C

CÓDIGO	MEDIDA	€/ud	□	⊞
R578CY001	-	14,20	1	50
R578CY002	-	4,10	1	70

Soporte metálico para codos terminales. R578CY001: Para pared de cartón yeso. R578CY002: Para pared de obra.



R577D

CÓDIGO	MEDIDA	€/ud		
R577DY001	1/2"	1,85	10	100

Tapón de plástico para prueba de presión en codo terminal.



R985N

CÓDIGO	MEDIDA	€/m		
R985NY001	25x20	1,34	100	-
R985NY002	30x25	1,75	100	-

Vaina negra en PE-HD.
Para instalaciones sanitarias extraíbles.



R985R

CÓDIGO	MEDIDA	€/m		
R985RY001	Ø25x20	1,34	100	-
R985RY002	Ø30x25	1,75	100	-

Vaina roja en PE-HD.
Para instalaciones sanitarias extraíbles.



R998

CÓDIGO	MEDIDA	€/ud		
R998Y005	-	1,04	10	100
R998Y006	-	1,04	10	100

Tapón terminal para vaina.
R998Y005: Rojo.
R998Y006: Azul.



R985B

CÓDIGO	MEDIDA	€/m		
R985BY001	Ø25x20	1,34	100	-
R985BY002	Ø30x25	1,75	100	-

Vaina azul en PE-HD.
Para instalaciones sanitarias extraíbles.



R576

CÓDIGO	MEDIDA	€/ud		
R576X001	-	9,90	1	-

Accesorio de extracción para tubería plástica.



> SISTEMA DE EXPANSIÓN GX - COLECTORES

R580C

SALIDAS BASE 16

CÓDIGO	MEDIDA	€/ud	□	⊞
R580CY022	3/4"x16 /2	10,25	1	50
R580CY023	3/4"x16 /3	14,30	1	50
R580CY024	3/4"x16 /4	17,25	1	50
R580CY042	1"x16 /2	15,55	1	50
R580CY043	1"x16 /3	20,30	1	50
R580CY044	1"x16 /4	24,75	1	30



Colector componible simple, en latón. Conexión a adaptador para tubo de cobre, plástico o multicapa.
Rango de temperatura 5 ÷ 110 °C.
Presión máxima de trabajo 10bar.

NOTAS

Colector 3/4" x 16 y 1" x 16: separación entre salidas 35mm.

Utilizar los adaptadores R178, R179 o R179AM.

R585C

SALIDAS 1/2"

CÓDIGO	MEDIDA	€/ud	□	⊞
R585CY022	3/4"x16 /2	28,45	1	20
R585CY023	3/4"x16 /3	39,90	1	20
R585CY024	3/4"x16 /4	50,30	1	20
R585CY042	1"x16 /2	37,70	1	20
R585CY043	1"x16 /3	51,80	1	20
R585CY044	1"x16 /4	66,50	1	20



Colector componible simple, en latón, con válvula de corte por circuito. Conexión a adaptador para tubo de cobre, plástico o multicapa.
Rango de temperatura 5 ÷ 110 °C.
Presión máxima de trabajo 10bar.

NOTAS

Colector 3/4" x 16 y 1" x 16: separación entre salidas 50mm.

Utilizar los adaptadores R178, R179 o R179AM.

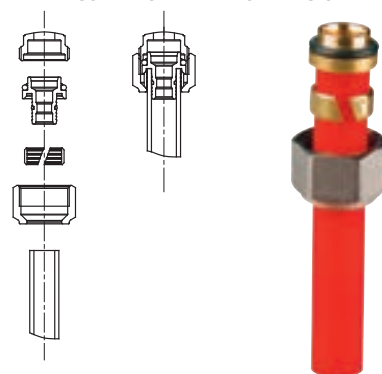
R179

CÓDIGO	MEDIDA	€/ud	□	⊞
R179X040	16x(16x1,8)	2,65	25	250
R179X051	16x(20x1,9)	2,65	25	250



Adaptador para tubo de plástico (para medidas no disponibles en la serie R179AM) en instalaciones hidráulicas. Conforme a la norma EN 1254-3.
Junta tórica negra conforme a la norma EN 681-1.
Rango de temperatura 5 ÷ 110 °C.
Presión máxima de trabajo 10bar.

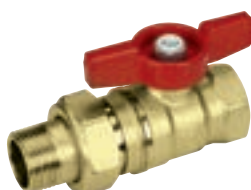
CONEXIÓN A LA INSTALACIÓN



R259D

ACABADO NO CROMADO

CÓDIGO	MEDIDA	€/ud	□	⊞
R259Y005	3/4"x3/4" - Palomilla roja	14,70	10	20
R259Y007	1"x1" - Palomilla roja	21,90	10	20



Válvula de esfera cromada con conexión hembra-macho, con enlace. Accionamiento por palomilla (azul o roja). Paso estándar. Válida para instalaciones hidráulicas.
Rango de temperatura -20 ÷ 185 °C.

NOTAS

Para versión no cromada: disponible con palomilla roja o azul.

Verificar la aplicación real de la válvula y las certificaciones de la misma consultando la documentación técnica específica.

R251D

PALOMILLA ROJA

CÓDIGO	MEDIDA	€/ud	□	⊞
R251X004	3/4"	10,40	5	50
R251X005	1"	15,00	5	25



Válvula de esfera cromada con conexión hembra-hembra. Accionamiento por palomilla (roja para agua y amarilla para gas e hidrocarburos líquidos). Paso estándar. Rango de temperatura -20 ÷ 185 °C.

NOTAS

Verificar la aplicación real de la válvula y las certificaciones de la misma consultando la documentación técnica específica.

R592D

NO CROMADAS

CÓDIGO	MEDIDA	€/ud	□	⊞
R592DY004	3/4"	2,20	50	500
R592DY005	1"	2,65	25	250



Tapón terminal para colector, en latón, con autojunta.

R594

CÓDIGO	MEDIDA	€/ud	□	⊞
R594Y001	1/2"	1,13	50	500
R594Y004	1"	2,45	25	250
R594Y005	3/4"	2,15	1	500



Tapa conexión hembra para colectores.

R584

CÓDIGO	MEDIDA	€/ud	□	⊞
R584Y101	332x272x86	34,20	1	-
R584Y102	412x272x86	38,00	1	-
R584Y103	512x272x86	51,75	1	-
R584Y104	612x272x86	61,55	1	-



Caja de plástico con tapa. Completa de Kit de sujeción de colectores. Válida para colectores de 3/4" o 1" de la serie R580, R551, R580C, R585C, modulares DN25 y R587B.

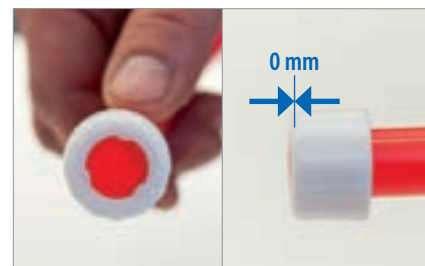
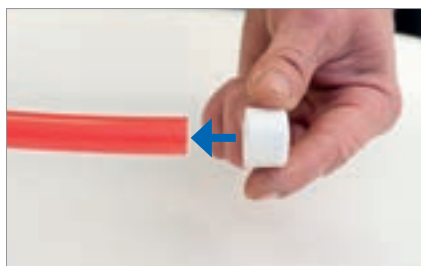
> SISTEMA DE EXPANSIÓN GX - HERRAMIENTAS

Las tuberías realizadas en material plástico (PEX-b) y, por tanto, libres de la corrosión, están diseñadas para resistir a la corrosión y se han producido conforme a las normas más severas, para soportar los efectos a largo plazo de las altas temperaturas y de la presión de una instalación hidráulica, garantizando, además, el respeto de los más rigurosos estándares de higiene. La gama incluye varios espesores y diámetros. Los especiales anillos poliméricos se han diseñado tanto para soportar las tensiones producidas por la expansión durante las fases de instalación, como para garantizar en el tiempo la unión de los componentes. Además, el diseño de los anillos presenta un borde superior perfilado para garantizar el correcto posicionamiento en el tubo durante la instalación. Los racores están realizados en latón CW617N (CuZn40Pb2) conforme a específicas normas vigentes para que puedan ser utilizados también en instalaciones sanitarias. Para garantizar la estanqueidad a la presión del sistema se ha estudiado un perfil de los racores que no necesita los O-Rings. Los equipos del sistema GX permiten realizar las uniones de toda la gama de manera rápida y flexible, minimizando los posibles errores; además, están presentes todos los tipos de expansores (manual, a batería, eléctrico) y los adaptadores para la instalación de los varios cabezales de expansión.

Corte del tubo



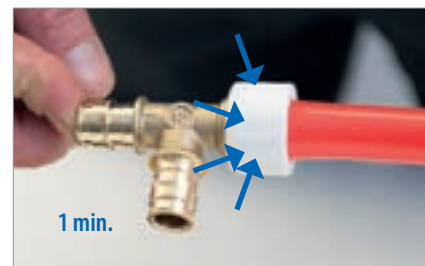
Introducción del anillo



Ensanche del tubo



Introducción del racor



GX200-M

CÓDIGO	MEDIDA	€/ud		
GX200Y101	Manual	573,70	1	1
GX200Y102	Manual	1.105,30	1	-
GX200Y103	Manual	1.147,60	1	-



Herramienta de expansión manual para sistema GX de Giacomini.

INFORMACION

GX200Y101, se suministra con:

- Cabezales de expansión GX202Y001, GX202Y002, GX202Y003 para tubo de 16x1,8 - 20x1,9 - 25x2,3.
- Grasa lubricante.

GX200Y102, se suministra con:

- Cabezales de expansión GX202Y011, GX202Y015, GX202Y017 para tubo de 16x 1,8 - 20x1,9 - 25x2,3.
- Grasa lubricante.

Accesorios opcionales:

- Cabezales de expansión GX202Y013, GX202Y016, GX202Y018 para tubo de 16x2,2 - 20x2,8 - 25x3,5.

GX200Y103, se suministra con:

- Cabezales de expansión GX202Y013, GX202Y016, GX202Y018 para tubo de 16x2, 2 - 20x2,8 - 25x3,5.
- Grasa lubricante.

Accesorios opcionales:

- Cabezales de expansión GX202Y011, GX202Y015, GX202Y017 para tubo de 16x1,8 - 20x1,9 - 25x2,3.

GX200

CÓDIGO	MEDIDA	€/ud	☐	☒
GX200Y002	16-63 (230V)	4.883,90	1	-
GX200Y004	16-40 (22V)	2.312,60	1	-
GX201Y004	Batería de recambio	465,20	1	-



Herramienta de expansión eléctrica para sistema GX de Giacomini.

INFORMACION

GX200Y002 expansor eléctrico a 230 V, se suministra con:
 - Adaptador para cabezal de expansión GX202Y027.
 Accesorios opcionales:
 - GX203Y001: adaptador para cabezales de expansión GX202Y011, GX202Y013, GX202Y015, GX202Y016, GX202Y017, GX202Y018, GX202Y021, GX202Y022, GX202Y026.
 - Cabezales de expansión GX202Y011, GX202Y013, GX202Y015, GX202Y016, GX202Y017, GX202Y018, GX202Y021, GX202Y022, GX202Y026, GX202Y027.

GX200Y004 expansor eléctrico a batería de 22 V, se suministra con:
 - Batería y cargador a 230 V.
 Accesorios opcionales:
 - Cabezales de expansión GX202Y011, GX202Y013, GX202Y015, GX202Y016, GX202Y017, GX202Y018, GX202Y021, GX202Y022, GX202Y026.

GX201Y004 Batería de recambio para GX200Y004

GX202

CÓDIGO	MEDIDA	€/ud	☐	☒
GX202Y001	16x1,8	94,25	1	50
GX202Y011	16x1,8	249,85	1	-
GX202Y013	16x2,2	258,55	1	-
GX202Y002	20x1,9	94,25	1	50
GX202Y015	20x1,9	252,35	1	-
GX202Y016	20x2,8	289,70	1	-
GX202Y003	25x2,3	94,25	1	50
GX202Y017	25x2,3	265,35	1	-
GX202Y018	25x3,5	291,50	1	-
GX202Y021	32x2,9	502,70	1	-
GX202Y022	32x4,4	750,55	1	-
GX202Y026	40x3,7	734,30	1	-
GX202Y027	40x5,5	2.253,15	1	-



Cabezal de expansión

GX203

CÓDIGO	MEDIDA	€/ud	☐	☒
GX203Y001	16-40	1.296,40	1	-
GX203Y002	Grasa lubricante	15,75	1	20

Adaptador para cabezales de expansión



H201

CÓDIGO	MEDIDA	€/ud	☐	☒
H201Y001	0-40	83,60	1	-

Tijera cortatubos para tubos de hasta Ø40mm.



R131

CÓDIGO	MEDIDA	€/ud	☐	☒
R131Y003	27/29	27,60	1	-
R131Y004	29/30	34,10	1	-

Llave fija para adaptadores.



NOTAS

Llave de 27 para base 16.
 Llave de 29 para base 18.

> SISTEMA PRESS FITTING RM - TUBO

R996T

CÓDIGO	MEDIDA	€/m	☐	☒
R996TY227	16x2	1,48	100	-
R996TY219	16x2	1,48	240	-
R996TY264	16x2	1,48	600	-
R996TY221	20x2	1,80	100	-
R996TY222	20x2	1,80	240	-
R996TY253	20x2	1,80	400	-



PEX-b DE ALTA FLEXIBILIDAD



Tubo Giacotherm en polietileno reticulado PEX-b, con barrera anti-oxígeno externa. Idóneo para clase de aplicación 4 y 5, no válido para distribución de agua de consumo. Específico para instalaciones de suelo radiante en calefacción y refrescamiento. Flexibilidad elevada.

R999

ROLLO

CÓDIGO	MEDIDA	EURO/m	☐	☒
R999Y122	16 x 2	1,45	100	-
R999Y123	16 x 2	1,45	200	-
R999Y124	16 x 2	1,45	500	-
R999Y142	20 x 2	2,15	100	-
R999Y143	20 x 2	2,15	200	-
R999Y173	26 x 3	4,15	50	-
R999Y183	32 x 3	6,00	50	-

BARRA

CÓDIGO	MEDIDA	EURO/pcs.	☐	☒
R999Y125	16 x 2	1,70	120	-
R999Y145	20 x 2	2,30	120	-
R999Y174	26 x 3	4,85	50	-
R999Y184	32 x 3	6,90	50	-
R999GY140	40 x 3,5	15,50	25	-
R999GY150	50 x 4	22,55	25	-
R999GY163	63 x 4,5	34,30	15	-

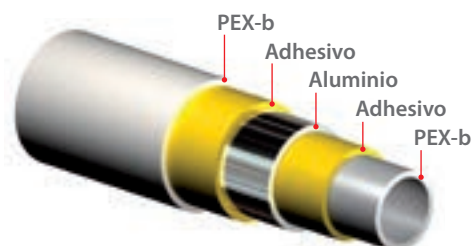


Tubo multicapa PEX-b/Al/PEX-b.

Idóneo para instalaciones sanitarias, calefacción y refrescamiento.

Clase de aplicación 1, 2, 4 y 5.

SECCIÓN DEL TUBO



R999I

PARA CALEFACCIÓN

CÓDIGO	MEDIDA	EURO/m	☐	☒
R999IY220	16 x 2 - aislante 6 mm - rojo	2,25	50	-
R999IY222	16 x 2 - aislante 6 mm - rojo	2,25	100	-
R999IY225	16 x 2 - aislante 6 mm - azul	2,25	50	-
R999IY227	16 x 2 - aislante 6 mm - azul	2,25	100	-
R999IY244	20 x 2 - aislante 6 mm - rojo	3,15	50	-
R999IY249	20 x 2 - aislante 6 mm - azul	3,15	50	-
R999IY240	20 x 2 - aislante 10 mm - rojo	3,15	50	-
R999IY245	20 x 2 - aislante 10 mm - azul	3,15	50	-
R999IY278	26 x 3 - aislante 10 mm - azul	6,75	50	-
R999IY270	26 x 3 - aislante 10 mm - rojo	6,75	25	-
R999IY272	26 x 3 - aislante 10 mm - rojo	6,75	50	-
R999IY275	26 x 3 - aislante 10 mm - azul	6,75	50	-
R999IY280	32 x 3 - aislante 10 mm - rojo	10,20	25	-
R999IY285	32 x 3 - aislante 10 mm - azul	10,20	25	-



Tubo multicapa PEX-b/Al/PEX-b con aislamiento térmico.

Idóneo para instalaciones sanitarias, calefacción y refrescamiento.

Clase de aplicación 1, 2, 4 y 5.

SECCIÓN DEL TUBO



PARA CALEFACCIÓN Y REFRESCAMIENTO

CÓDIGO	MEDIDA	EURO/m	☐	☒
R999IY120	16 x 2 - aislante 10 mm - gris	2,80	50	-
R999IY140	20 x 2 - aislante 13 mm - gris	3,95	50	-
R999IY170	26 x 3 - aislante 13 mm - gris	8,60	25	-
R999IY180	32 x 3 - aislante 13 mm - gris	13,30	25	-

> SISTEMA PRESS FITTING RM - ACCESORIOS

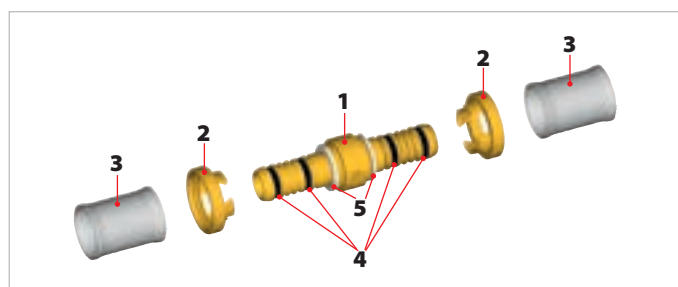


Características principales del racor multimordaza serie RM para agua

- Cuerpo en latón estampado CW617N-EN12165 con extremo biselado para facilitar la entrada del tubo.
- Doble junta tórica conforme a EN681-1, idóneo para distribución de agua potable.
- Casquillo de compresión en acero inoxidable AISI 304, con embocadura para facilitar la entrada del tubo. La medida del tubo correspondiente está imprimida a láser sobre el casquillo. El texto "RM series" sobre el casquillo indica que el racor puede ser prensado con los perfiles de mordaza indicadas en la hoja técnica. Giacomini propone en catálogo la gama de mordazas con perfil TH. Los otros perfiles pueden encontrarse fácilmente en el mercado.
- Anillo de fijación de casquillo en letra CW614N-EN12164 con orificio de control visual para la inserción correcta de la tubería, hasta tope.
- Anillo dieléctrico para evitar fenómenos de corrosión de naturaleza electroquímica por contacto entre el latón del cuerpo del racor y el alma de aluminio del tubo multicapa..

TUBO	PERFIL MORDAZA
16 x 2	TH - H - U
20 x 2	TH - H - U
26 x 3	TH - H
32 x 3	TH - H - U
40 x 3,5	TH - U
50 x 4	TH - U
63 x 4,5	TH

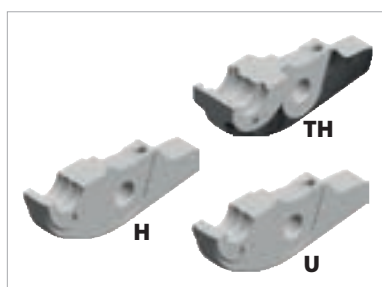
Detalle constructivo



LEGENDA

1	Cuerpo en latón
2	Anillo de fijación
3	Casquillo
4	Junta tórica
5	Anillo dieléctrico

Perfil mordaza



Detalle casquillo

El texto "RM series" indica que el racor puede ser prensado con mordazas de perfil:
TH - H - U.

RM102

CÓDIGO	MEDIDA	€/ud	□	⊞
RM102Y003	16x2	4,25	10	-
RM102Y007	20x2	5,05	10	200
RM102Y009	26x3	8,35	5	100
RM102Y011	32x3	11,75	5	100
RM102Y014	40x3,5	35,15	1	30
RM102Y015	50x4	43,05	1	20
RM102Y016	63x4,5	80,10	1	10



Manguito recto, multimordaza, para instalaciones hidráulicas. Para tubo de plástico y multicapa.
Doble junta tórica negra conforme a norma EN 681-1.

Rango de temperatura 5 ÷ 110 °C.

Presión máxima de trabajo 10bar.

NOTAS

Verificar la mordaza correspondiente con cada medida de racor, consultar la documentación técnica específica.

RM103

CÓDIGO	MEDIDA	€/ud	□	⊞
RM103Y010	(20x2)x(16x2)	5,10	10	200
RM103Y016	(26x3)x(16x2)	7,45	1	200
RM103Y018	(26x3)x(20x2)	7,25	1	200
RM103Y020	(32x3)x(16x2)	9,35	1	100
RM103Y021	(32x3)x(20x2)	9,35	1	100
RM103Y022	(32x3)x(26x3)	10,00	5	100
RM103Y064	(40x3)x(26x3)	32,35	1	30
RM103Y065	(40x3)x(32x3)	30,55	1	30
RM103Y075	(50x4)x(32x3)	50,40	1	25
RM103Y076	(50x4)x(40x3,5)	44,00	1	20
RM103Y086	(63x4,5)x(40x3,5)	74,45	1	20
RM103Y087	(63x4,5)x(50x4)	75,35	1	20



Manguito recto reducido, multimordaza, para instalaciones hidráulicas. Para tubo de plástico y multicapa.

Doble junta tórica negra conforme a norma EN 681-1.

Rango de temperatura 5 ÷ 110 °C.

Presión máxima de trabajo 10bar.

NOTAS

Verificar la mordaza correspondiente con cada medida de racor, consultar la documentación técnica específica.

RM107

CÓDIGO	MEDIDA	€/ud	□	⊞
RM107Y023	3/8"x(16x2)	2,85	10	360
RM107Y033	1/2"x(16x2)	3,15	10	360
RM107Y037	1/2"x(20x2)	3,45	10	200
RM107Y043	3/4"x(16x2)	4,00	5	180
RM107Y047	3/4"x(20x2)	4,00	5	180
RM107Y049	3/4"x(26x3)	5,15	5	180
RM107Y058	1"x(26x3)	6,95	1	100
RM107Y059	1"x(32x3)	7,85	1	100
RM107Y066	1 1/4"x(40x3,5)	29,55	1	30
RM107Y077	1 1/2"x(50x4)	32,80	1	20
RM107Y078	2"x(50x4)	48,80	1	20
RM107Y088	2"x(63x4,5)	55,90	1	20
RM107Y098	2 1/2"x(63x4,5)	112,45	1	10



Racor recto rosca macho, multimordaza, para instalaciones hidráulicas. Válido para tubo de plástico y multicapa.

Doble junta tórica negra conforme a norma EN 681-1.

Rango de temperatura 5 ÷ 110 °C.

Presión máxima de trabajo 10bar.

NOTAS

Verificar la mordaza correspondiente con cada medida de racor, consultar la documentación técnica específica.

RM109

CÓDIGO	MEDIDA	€/ud	□	⊞
RM109Y033	1/2"x(16x2)	3,35	1	200
RM109Y037	1/2"x(20x2)	3,75	1	200
RM109Y043	3/4"x(16x2)	4,65	1	180
RM109Y047	3/4"x(20x2)	5,25	1	180
RM109Y049	3/4"x(26x3)	5,65	1	180
RM109Y058	1"x(26x3)	7,75	1	100
RM109Y059	1"x(32x3)	8,35	1	100
RM109Y060	1"x(40x3,5)	31,60	1	30
RM109Y066	1 1/4"x(40x3,5)	38,80	1	30
RM109Y076	1 1/2"x(40x3,5)	47,15	1	20
RM109Y077	1 1/2"x(50x4)	52,15	1	20
RM109Y088	2"x(63x4,5)	62,80	1	20
RM109Y098	2 1/2"x(63x4,5)	141,90	1	10



Racor recto rosca hembra, multimordaza, para instalaciones hidráulicas. Válido para tubo de plástico y multicapa.

Doble junta tórica negra conforme a norma EN 681-1.

Rango de temperatura 5 ÷ 110 °C.

Presión máxima de trabajo 10bar.

NOTAS

Verificar la mordaza correspondiente con cada medida de racor, consultar la documentación técnica específica.

RM122

CÓDIGO	MEDIDA	€/ud	□	⊞
RM122Y003	16x2	4,75	1	200
RM122Y007	20x2	5,70	1	100
RM122Y009	26x3	8,85	1	100
RM122Y011	32x3	13,20	1	50
RM122Y013	40x3,5	43,50	1	10
RM122Y014	50x4	57,85	1	10
RM122Y015	63x4,5	90,80	1	10



Codo 90°, multimordaza, para instalaciones hidráulicas. Válido para tubo de plástico y multicapa.

Doble junta tórica negra conforme a norma EN 681-1.

Rango de temperatura 5 ÷ 110 °C.

Presión máxima de trabajo 10bar.

NOTAS

Verificar la mordaza correspondiente con cada medida de racor, consultar la documentación técnica específica.

RM127

CÓDIGO	MEDIDA	€/ud	□	⊞
RM127Y033	1/2"x(16x2)	3,55	1	200
RM127Y037	1/2"x(20x2)	4,10	1	200
RM127Y043	3/4"x(16x2)	4,55	1	200
RM127Y047	3/4"x(20x2)	4,90	1	200
RM127Y049	3/4"x(26x3)	6,15	1	100
RM127Y058	1"x(26x3)	8,70	1	50
RM127Y059	1"x(32x3)	9,90	1	50
RM127Y066	1 1/4"x(40x3,5)	43,25	1	25
RM127Y076	1 1/2"x(40x3,5)	38,40	1	20
RM127Y077	1 1/2"x(50x4)	66,85	1	20
RM127Y087	2"x(50x4)	67,00	1	10
RM127Y088	2"x(63x4,5)	90,85	1	10
RM127Y098	2 1/2"x(63x4,5)	74,90	1	10



Racor curvo rosca macho, multimordaza, para instalaciones hidráulicas. Válido para tubo de plástico y multicapa.

Doble junta tórica negra conforme a norma EN 681-1.

Rango de temperatura 5 ÷ 110 °C.

Presión máxima de trabajo 10bar.

NOTAS

Verificar la mordaza correspondiente con cada medida de racor, consultar la documentación técnica específica.

RM129

CÓDIGO	MEDIDA	€/ud	☐	☒
RM129Y033	1/2"x(16x2)	3,55	1	200
RM129Y037	1/2"x(20x2)	4,10	1	200
RM129Y043	3/4"x(16x2)	4,70	1	200
RM129Y047	3/4"x(20x2)	5,25	1	200
RM129Y049	3/4"x(26x3)	6,60	1	100
RM129Y059	1"x(32x3)	9,85	1	50
RM129Y066	1 1/4"x(40x3,5)	33,00	1	25
RM129Y076	1 1/4"x(40x3,5)	41,70	1	20
RM129Y077	1 1/2"x(50x4)	48,30	1	20
RM129Y087	2"x(50x4)	68,95	1	10
RM129Y088	2"x(63x4,5)	92,05	1	10
RM129Y098	2 1/2"x(63x4,5)	77,50	1	10



Racor curvo rosca hembra, multimordaza, para instalaciones hidráulicas. Válido para tubo de plástico y multicapa.

Doble junta tórica negra conforme a norma EN 681-1.

Rango de temperatura 5 ÷ 110 °C.

Presión máxima de trabajo 10bar.

NOTAS

Verificar la mordaza correspondiente con cada medida de racor, consultar la documentación técnica específica.

RM139

CÓDIGO	MEDIDA	€/ud	☐	☒
RM139Y033	1/2"x(16x2)	5,25	1	100
RM139Y037	1/2"x(20x2)	5,85	1	100
RM139Y049	3/4"x(26x3)	8,20	1	50



Racor curvo rosca hembra con placa para sujeción a pared, multimordaza, para instalaciones hidráulicas. Válido para tubo de plástico y multicapa.

Doble junta tórica negra conforme a norma EN 681-1.

Rango de temperatura 5 ÷ 110 °C.

Presión máxima de trabajo 10bar.

NOTAS

Verificar la mordaza correspondiente con cada medida de racor, consultar la documentación técnica específica.

RM144

CÓDIGO	MEDIDA	€/ud	☐	☒
RM144Y009	26x3	8,75	1	100
RM144Y011	32x3	13,60	1	50
RM144Y012	40x3,5	47,00	1	25
RM144Y013	50x4	57,75	1	10
RM144Y014	63x4,5	87,05	1	5



Codo 45°, multimordaza, para instalaciones hidráulicas. Válido para tubo de plástico y multicapa.

Doble junta tórica negra conforme a norma EN 681-1.

Rango de temperatura 5 ÷ 110 °C.

Presión máxima de trabajo 10bar.

NOTAS

Verificar la mordaza correspondiente con cada medida de racor, consultar la documentación técnica específica.

RM128

CÓDIGO	MEDIDA	€/ud	☐	☒
RM128X034	(16x2)x16 - 300	11,40	1	50
RM128X074	(16x2)x16 - 750	31,05	1	25



Codo 90°, multimordaza, con tubo de cobre Ø16mm de largo 300 o 750mm, para instalaciones hidráulicas. Válido para tubo de plástico y multicapa.

Doble junta tórica negra conforme a norma EN 681-1.

Rango de temperatura 5 ÷ 110 °C.

Presión máxima de trabajo 10bar.

NOTAS

Verificar la mordaza correspondiente con cada medida de racor, consultar la documentación técnica específica.

RM150

CÓDIGO	MEDIDA	€/ud	☐	☒
RM150Y003	16x2	7,50	1	100
RM150Y007	20x2	8,75	1	100
RM150Y009	26x3	12,90	1	50
RM150Y011	32x3	19,40	1	40
RM150Y012	40x3,5	61,65	1	10
RM150Y013	50x4	75,25	1	10
RM150Y014	63x4,5	129,45	1	5



Te multimordaza para instalaciones hidráulicas.

Válido para tubo de plástico y multicapa.

Doble junta tórica conforme a norma EN 681-1.

Rango de temperatura 5 ÷ 110 °C.

Presión máxima de trabajo 10bar.

NOTAS

Verificar la mordaza correspondiente con cada medida de racor, consultar la documentación técnica específica.

RM151

CÓDIGO	MEDIDA	€/ud	☐	☒
RM151Y045	(16x2)x(20x2)x(16x2)	8,25	1	100
RM151Y063	(20x2)x(16x2)x(16x2)	8,35	1	100
RM151Y064	(20x2)x(16x2)x(20x2)	7,85	1	100
RM151Y065	(20x2)x(20x2)x(16x2)	8,95	1	100
RM151Y067	(20x3)x(26x3)x(20x2)	11,25	1	50
RM151Y083	(26x3)x(16x2)x(16x2)	10,85	1	80
RM151Y084	(26x3)x(20x2)x(20x2)	10,25	1	80
RM151Y085	(26x3)x(16x2)x(26x3)	10,85	1	50
RM151Y086	(26x3)x(20x2)x(26x3)	11,15	1	50
RM151Y089	(26x3)x(26x3)x(20x2)	11,80	1	50
RM151Y090	(32x3)x(16x2)x(32x3)	15,90	1	40
RM151Y094	(32x3)x(20x2)x(20x2)	13,90	1	50
RM151Y095	(32x3)x(20x2)x(26x3)	14,85	1	40
RM151Y091	(32x3)x(20x2)x(32x3)	16,30	1	40
RM151Y092	(32x3)x(26x3)x(26x3)	14,90	1	50
RM151Y093	(32x3)x(26x3)x(32x3)	16,80	1	40
RM151Y145	(40x3,5)x(20x2)x(40x3,5)	55,10	1	10
RM151Y146	(40x3,5)x(26x3)x(40x3,5)	54,80	1	10
RM151Y147	(40x3,5)x(32x3)x(40x3,5)	56,70	1	10
RM151Y148	(40x3,5)x(32x3)x(32x3)	74,15	1	10
RM151Y157	(50x4)x(26x3)x(50x4)	66,60	1	10
RM151Y158	(50x4)x(32x3)x(50x4)	71,80	1	10
RM151Y159	(50x4)x(40x3,5)x(50x4)	87,80	1	10
RM151Y167	(63x4,5)x(32x3)x(63x4,5)	118,65	1	5
RM151Y168	(63x4,5)x(40x3,5)x(63x4,5)	125,65	1	5



Te reducida, multimordaza, para instalaciones hidráulicas. Para tubo de plástico y multicapa.

Doble junta tórica negra conforme a norma EN 681-1.

Rango de temperatura 5 ÷ 110 °C.

Presión máxima de trabajo 10bar.

NOTAS

Verificar la mordaza correspondiente con cada medida de racor, consultar la documentación técnica específica.

RM153

CÓDIGO	MEDIDA	€/ud	☐	☒
RM153Y033	(16x2)x1/2"x(16x2)	5,75	1	200
RM153Y037	1/2"x(20x2)	6,60	1	100
RM153Y049	3/4"x(26x3)	9,60	1	50
RM153Y059	1"x(32x3)	14,90	1	40

Racor en Te rosca macho, multimordaza, para instalaciones hidráulicas. Válido para tubo de plástico y multicapa.

Doble junta tórica negra conforme a norma EN 681-1.

Rango de temperatura 5 ÷ 110 °C.

Presión máxima de trabajo 10bar.

NOTAS

Verificar la mordaza corespondiente con cada medida de racor, consultar la documentación técnica específica.



RM154

CÓDIGO	MEDIDA	€/ud	☐	☒
RM154Y033	(16x2)x1/2"x(16x2)	5,65	1	200
RM154Y037	1/2"x(20x2)	6,35	1	200
RM154Y049	3/4"x(26x3)	9,60	1	50
RM154Y050	3/4"x(32x3)	19,90	1	40
RM154Y059	(32x3)x1"x(32x3)	14,75	1	40
RM154Y062	1"x(63x4,5)	111,00	1	6
RM154Y066	1 1/4"x(40x3,5)	57,05	1	10
RM154Y068	1 1/4"x(50x4)	65,05	1	10
RM154Y076	1 1/2"x(40x3,5)	58,95	1	10
RM154Y077	1 1/2"x(50x4)	64,50	1	10
RM154Y088	2"x(63x4,5)	112,20	1	6
RM154Y098	2 1/2"x(63x4,5)	113,00	1	6

Racor en Te rosca hembra, multimordaza, para instalaciones hidráulicas. Válido para tubo de plástico y multicapa.

Doble junta tórica negra conforme a norma EN 681-1.

Rango de temperatura 5 ÷ 110 °C.

Presión máxima de trabajo 10bar.

NOTAS

Verificar la mordaza corespondiente con cada medida de racor, consultar la documentación técnica específica.



RM158

CÓDIGO	MEDIDA	€/ud	☐	☒
RM158X034	(16x2)x16x(16x2)	15,70	1	50

Racor en T inclinado 45°, multimordaza, con tubo de cobre Ø16mm de largo 300mm, para instalaciones hidráulicas. Válido para tubo de plástico y multicapa.

Doble junta tórica negra conforme a norma EN 681-1.

Rango de temperatura 5 ÷ 110 °C.

Presión máxima de trabajo 10bar.

NOTAS

Verificar la mordaza corespondiente con cada medida de racor, consultar la documentación técnica específica.



RM179SP

CÓDIGO	MEDIDA	€/ud	☐	☒
RM179Y043	3/8"x(16x2)	4,60	1	360
RM179Y053	1/2"x(16x2)	4,30	1	360
RM179Y056	1/2"x(20x2)	5,40	1	120
RM179Y063	3/4"x(16x2)	4,75	1	200
RM179Y066	3/4"x(20x2)	5,10	1	200
RM179Y069	3/4"x(26x3)	6,90	1	200
RM179Y073	1"x(26x3)	8,25	1	100
RM179Y074	1"x(32x3)	12,55	1	100
RM179Y082	1 1/4"x(40x3,5)	29,75	1	30
RM179Y093	1 1/2"x(50x4)	47,80	1	20
RM179Y097	2"x(63x4,5)	69,90	1	20

Racor recto multimordaza con tuerca loca rosca ISO 228 y junta plana, para instalaciones hidráulicas. Válido para tubo de plástico y multicapa.

Doble junta tórica negra conforme a norma EN 681-1.

Rango de temperatura 5 ÷ 110 °C.

Presión máxima de trabajo 10bar.

NOTAS

Verificar la mordaza corespondiente con cada medida de racor, consultar la documentación técnica específica.



RM179

CÓDIGO	MEDIDA	€/ud	☐	☒
RM179X023	16x(16x2)	3,65	1	360
RM179X033	18x(16x2)	3,85	1	200

Racor recto multimordaza con tuerca loca rosca base asptador, para instalaciones hidráulicas. Válido para tubo de plástico y multicapa.

Doble junta tórica negra conforme a norma EN 681-1.

Rango de temperatura 5 ÷ 110 °C.

Presión máxima de trabajo 10bar.

NOTAS

Verificar la mordaza corespondiente con cada medida de racor, consultar la documentación técnica específica.



RM179E

TUERCA CROMADA

CÓDIGO	MEDIDA	€/ud	☐	☒
RM179X103	3/4"x(16x2)	4,15	1	200
RM179X106	3/4"x(20x2)	4,55	1	200

TUERCA NO CROMADA

CÓDIGO	MEDIDA	€/ud	☐	☒
RM179Y113	1/2"x(16x2)	3,15	1	360
RM179Y116	1/2"x(20x2)	6,25	1	200

Racor recto multimordaza con tuerca loca rosca base Eurocono, para instalaciones hidráulicas. Válido para tubo de plástico y multicapa.

Doble junta tórica negra conforme a norma EN 681-1.

Rango de temperatura 5 ÷ 110 °C.

Presión máxima de trabajo 10bar.

NOTAS

Verificar la mordaza corespondiente con cada medida de racor, consultar la documentación técnica específica.



RM18

CÓDIGO	MEDIDA	€/ud	□	⊞
RM18Y033	1/2"x(16x2)	7,15	1	200
RM18Y037	1/2"x(20x2)	7,50	1	200
RM18Y049	3/4"x(26x3)	10,55	1	50

Racor recto 3 piezas rosca hembra, multimordaza, para instalaciones hidráulicas. Válido para tubo de plástico y multicapa. Doble junta tórica negra conforme a norma EN 681-1.

Rango de temperatura 5 ÷ 110 °C.

Presión máxima de trabajo 10bar.

NOTAS

Verificar la mordaza correspondiente con cada medida de racor, consultar la documentación técnica específica.



RM19

CÓDIGO	MEDIDA	€/ud	□	⊞
RM19Y033	1/2"x(16x2)	8,05	1	100
RM19Y037	1/2"x(20x2)	8,45	1	100
RM19Y049	3/4"x(26x3)	12,10	1	50

Racor curvo 3 piezas rosca hembra, multimordaza, para instalaciones hidráulicas. Válido para tubo de plástico y multicapa. Doble junta tórica negra conforme a norma EN 681-1.

Rango de temperatura 5 ÷ 110 °C.

Presión máxima de trabajo 10bar.

NOTAS

Verificar la mordaza correspondiente con cada medida de racor, consultar la documentación técnica específica.



RM173

CÓDIGO	MEDIDA	€/ud	□	⊞
RM173Y033	16x16	14,20	1	50
RM173Y037	20x20	15,10	1	50

Válvula de corte, multimordaza, para instalaciones hidráulicas. Incluye protección de plástico. Válido para tubo de plástico y multicapa. Doble junta tórica negra conforme a norma EN 681-1.

Rango de temperatura 5 ÷ 110 °C.

Presión máxima de trabajo 10bar.

NOTAS

Verificar la mordaza correspondiente con cada medida de racor, consultar la documentación técnica específica.



RP102

CÓDIGO	MEDIDA	€/ud	□	⊞
RP102X005	18x2	6,45	10	-
RP102X013	17x2	15,75	10	-

Manguito recto para instalaciones hidráulicas. Válido para tubo de plástico y multicapa. Doble junta tórica negra conforme a norma EN 681-1.

Rango de temperatura 5 ÷ 110 °C.

Presión máxima de trabajo 10bar.

NOTAS

Racor serie RP, no multimordaza: utilizar únicamente mordazas perfil TH.



R18

CROMADAS

CÓDIGO	MEDIDA	€/ud	□	⊞
R18X002	3/8"	3,20	20	200
R18X003	1/2"	3,90	10	100
R18X004	3/4"	6,30	10	100
R18X005	1"	9,00	5	50
R18X006	1" 1/4	13,75	5	50
R18X007	1" 1/2	30,10	2	20
R18X008	2"	42,10	2	10

NO CROMADAS

CÓDIGO	MEDIDA	€/ud	□	⊞
R18Y002	3/8"	2,95	20	200
R18Y003	1/2"	3,35	10	100
R18Y004	3/4"	5,45	10	100
R18Y005	1"	8,00	5	50
R18Y006	1" 1/4	12,50	5	50
R18Y007	1" 1/2	28,55	2	20
R18Y008	2"	36,45	2	10

Racor recto 3 piezas H-M con junta cónica en unión intermedia. Válido para instalaciones hidráulicas e instalaciones solares térmicas. Rango de temperatura 5 ÷ 160 °C (hasta 1 1/4"), 5 ÷ 110 °C (1 1/2" y 2").

Presión máxima de trabajo 10bar.

R18SP

CÓDIGO	MEDIDA	€/ud	□	⊞
R18SPY005	1"	11,05	5	50
R18SPY006	1 1/4"	18,10	5	25
R18SPY007	1 1/2"	37,75	2	20
R18SPY008	2"	51,85	2	10

Racor recto 3 piezas H-M con junta plana en unión intermedia. Válido para instalaciones hidráulicas.

Rango de temperatura 5 ÷ 110 °C.

Presión máxima de trabajo 10bar.



R19

CROMADAS

CÓDIGO	MEDIDA	€/ud	□	⊞
R19X002	3/8"	3,65	10	100
R19X003	1/2"	4,55	10	100
R19X004	3/4"	7,15	5	50
R19X005	1"	11,05	5	50
R19X006	1" 1/4	18,75	2	20
R19X007	1" 1/2	38,90	2	20
R19X008	2"	50,20	2	12

NO CROMADAS

CÓDIGO	MEDIDA	€/ud	□	⊞
R19Y002	3/8"	3,50	10	100
R19Y003	1/2"	4,30	10	100
R19Y004	3/4"	7,15	5	50
R19Y005	1"	10,50	5	50
R19Y006	1" 1/4	17,65	2	20
R19Y007	1" 1/2	35,35	2	20
R19Y008	2"	44,40	2	12

Racor curvo 3 piezas H-M con junta cónica en unión intermedia. Válido para instalaciones hidráulicas e instalaciones solares térmicas. Rango de temperatura 5 ÷ 160 °C (hasta 1 1/4"), 5 ÷ 110 °C (1 1/2" y 2").

Presión máxima de trabajo 10bar.

R20

CÓDIGO	MEDIDA	€/ud	□	⊞
R20Y004	3/4" x 3/4"	5,75	10	100

Racor recto 3 piezas M-M con junta cónica en unión intermedia. Válido para instalaciones hidráulicas.

Rango de temperatura 5 ÷ 110 °C.

Presión máxima de trabajo 10bar.



R573D-1

CÓDIGO	MEDIDA	€/ud	□	⊞
R573DY102	1/2"x16	10,00	5	50

Codo terminal hembra plastificado con conexión enrasada a pared. Conexión con adaptador para tubo de cobre, plástico o multicapa.

Posibilidad de utilizar el tubo de cobre R541N.

Para distribución de fontanería desmontable.

Rango de temperatura 5 ÷ 110 °C.

Presión máxima de trabajo 10bar.



R573D

CÓDIGO	MEDIDA	€/ud	□	⊞
R573DY002	1/2"x16	9,55	1	-
R573DY003	1/2"x18	9,60	1	-

Codo terminal hembra plastificado con conexión saliente de pared. Conexión con adaptador para tubo de cobre, plástico o multicapa.

Posibilidad de utilizar el tubo de cobre R541N.

Para distribución de fontanería desmontable.

Rango de temperatura 5 ÷ 110 °C.

Presión máxima de trabajo 10bar.



R544

CÓDIGO	MEDIDA	€/ud	□	⊞
R544Y002	1/2"x16	25,00	1	-
R544Y003	1/2"x18	25,35	1	-

Codo terminal hembra plastificado con conexión saliente de pared. Doble conexión a tubería para sistema antilegionela. Conexión con adaptador para tubo de cobre, plástico o multicapa.

Posibilidad de utilizar el tubo de cobre R541N.

Para distribución de fontanería desmontable.

Rango de temperatura 5 ÷ 110 °C.

Presión máxima de trabajo 10bar.



R541N

CÓDIGO	MEDIDA	€/ud	□	⊞
R541NX001	1/2"x16	10,55	10	100

Tubo de cobre en acabado cromado pulido, con conexión 1/2"M con autojunta. Longitud 120mm.



R578C

CÓDIGO	MEDIDA	€/ud	□	⊞
R578CY001	-	14,20	1	50
R578CY002	-	4,10	1	70

Soporte metálico para codos terminales.

R578CY001: Para pared de cartón yeso.

R578CY002: Para pared de obra.



R577D

CÓDIGO	MEDIDA	€/ud	□	⊞
R577DY001	1/2"	1,85	10	100

Tapón de plástico para prueba de presión en codo terminal.



R985R

CÓDIGO	MEDIDA	€/m	□	⊞
R985RY001	Ø25x20	1,34	100	-
R985RY002	Ø30x25	1,75	100	-

Vaina roja en PE-HD.

Para instalaciones sanitarias extraíbles.



R985B

CÓDIGO	MEDIDA	€/m	□	⊞
R985BY001	Ø25x20	1,34	100	-
R985BY002	Ø30x25	1,75	100	-

Vaina azul en PE-HD.

Para instalaciones sanitarias extraíbles.



R985N

CÓDIGO	MEDIDA	€/m	□	⊞
R985NY001	25x20	1,34	100	-
R985NY002	30x25	1,75	100	-

Vaina negra en PE-HD.

Para instalaciones sanitarias extraíbles.



R998

CÓDIGO	MEDIDA	€/ud	□	⊞
R998Y005	-	1,04	10	100
R998Y006	-	1,04	10	100

Tapón terminal para vaina.

R998Y005: Rojo.

R998Y006: Azul.



R576

CÓDIGO	MEDIDA	€/ud	□	⊞
R576X001	-	9,90	1	-

Accesorio de extracción para tubería plástica.



> SISTEMA PRESS FITTING RM - COLECTORES

R580C

SALIDAS 1/2" O 3/4"E

CÓDIGO	MEDIDA	€/ud	□	⊞
R580CY062	3/4"x1/2"E/2	12,30	1	50
R580CY063	3/4"x1/2"E/3	16,55	1	50
R580CY064	3/4"x1/2"E/4	22,50	1	50
R580CY052	1"x3/4"E/2	17,90	1	50
R580CY053	1"x3/4"E/3	26,60	1	50
R580CY054	1"x3/4"E/4	35,25	1	30



Colector componible simple, en latón. Conexión a adaptador para tubo de cobre, plástico o multicapa.

Rango de temperatura 5 ÷ 110 °C.

Presión máxima de trabajo 10bar.

NOTAS

Colector 3/4" x 1/2": separación entre salidas 35mm.

Colector 1" x 3/4"E: separación entre salidas 40mm.

Colector 3/4" x 16 y 1" x 16: separación entre salidas 35mm.

Con los colectores R580CY062, R580CY063, R580CY064 (Ø asiento adaptador 16 mm) se pueden utilizar únicamente los adaptadores R179EY052, R179EY055, R179EY056, R179EY058, RM179Y113, RM179Y116, R178EY121, R178EY122, R178EY123, R178EY124, R178EY125.

Con los colectores R580CY052, R580CY053, R580CY054 se pueden utilizar únicamente los adaptadores R179EX021, R179EX022, R179EX023, R179EX024, R179EX025, R179EX026, R179EX027, R179EY028, RM179X103, RM179X106, R178EX112, R178EX113, R178EX104, R178EX115, R178EX116.

Con los colectores base 16 utilizar los adaptadores R178, R179 o R179AM.

R585C

SALIDAS 1/2"

CÓDIGO	MEDIDA	€/ud	□	⊞
R585CY062	3/4"x1/2"E/2	29,05	1	20
R585CY063	3/4"x1/2"E/3	39,95	1	20
R585CY064	3/4"x1/2"E/4	51,65	1	20



Colector componible simple, en latón, con válvula de corte por circuito. Conexión a adaptador para tubo de cobre, plástico o multicapa.

Rango de temperatura 5 ÷ 110 °C.

Presión máxima de trabajo 10bar.

NOTAS

Colector 3/4" x 1/2": separación entre salidas 35mm.

Colector 3/4" x 16 y 1" x 16: separación entre salidas 50mm.

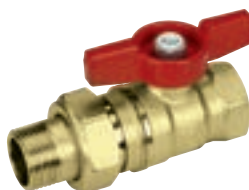
Con los colectores R585CY062, R585CY063, R585CY064 (Ø asiento adaptador 16 mm) se pueden utilizar únicamente los adaptadores R179EY052, R179EY055, R179EY056, R179EY058, RM179Y113, RM179Y116, R178EY121, R178EY122, R178EY123, R178EY124, R178EY125.

Con los colectores base 16 utilizar los adaptadores R178, R179 o R179AM.

R259D

ACABADO NO CROMADO

CÓDIGO	MEDIDA	€/ud	□	⊞
R259Y005	3/4"x3/4" - Palomilla roja	14,70	10	20
R259Y007	1"x1" - Palomilla roja	21,90	10	20



Válvula de esfera cromada con conexión hembra-macho, con enlace. Accionamiento por palomilla (azul o roja). Paso estándar. Válida para instalaciones hidráulicas.

Rango de temperatura -20 ÷ 185 °C.

NOTAS

Para versión no cromada: disponible con palomilla roja o azul.

Verificar la aplicación real de la válvula y las certificaciones de la misma consultando la documentación técnica específica.

R251D

PALOMILLA ROJA

CÓDIGO	MEDIDA	€/ud	□	⊞
R251X004	3/4"	10,40	5	50
R251X005	1"	15,00	5	25



Válvula de esfera cromada con conexión hembra-hembra. Accionamiento por palomilla (roja para agua y amarilla para gas e hidrocarburos líquidos). Paso estándar. Rango de temperatura -20 ÷ 185 °C.

NOTAS

Verificar la aplicación real de la válvula y las certificaciones de la misma consultando la documentación técnica específica.

R592D

NO CROMADAS

CÓDIGO	MEDIDA	€/ud	□	⊞
R592DY004	3/4"	2,20	50	500
R592DY005	1"	2,65	25	250



Tapón terminal para colector, en latón, con autojunta.

R594

CÓDIGO	MEDIDA	€/ud	□	⊞
R594Y001	1/2"	1,13	50	500
R594Y004	1"	2,45	25	250
R594Y005	3/4"	2,15	1	500



Tapa conexión hembra para colectores.

R584

CÓDIGO	MEDIDA	€/ud	□	⊞
R584Y101	332x272x86	34,20	1	-
R584Y102	412x272x86	38,00	1	-
R584Y103	512x272x86	51,75	1	-
R584Y104	612x272x86	61,55	1	-



Caja de plástico con tapa. Completa de Kit de sujeción de colectores. Válida para colectores de 3/4" o 1" de la serie R580, R551, R580C, R585C, modulares DN25 y R587B.

> SISTEMA PRESS FITTING RM - HERRAMIENTAS

RP200-1

CÓDIGO	MEDIDA	€/ud	□	⊕
RP200Y032	16-20-26	3.145,20	1	-
RP201Y012	Batería 18v	341,30	1	-



Prensa a batería para racores tipo press fitting. Se suministra con batería, cargador de batería eléctrico y tres mordazas TH.

NOTAS

Mordazas suministradas de medida Ø16, Ø20 y Ø26.

RP202

CÓDIGO	MEDIDA	€/ud	□	⊕
RP202Y016	16	302,75	1	-
RP202Y017	17	302,75	1	-
RP202Y018	18	302,75	1	-
RP202Y020	20	302,75	1	-
RP202Y026	26	302,75	1	-
RP202Y232	32	383,50	1	-



Mordaza para prensa serie RP200-1.

RP203

CÓDIGO	MEDIDA	€/ud	□	⊕
RP203Y203	40-50-63	711,65	1	-

Mordaza para prensa serie RP200-1.



RP202

CÓDIGO	MEDIDA	€/ud	□	⊕
RP202Y240	40	1.317,45	1	-
RP202Y250	50	1.317,45	1	-
RP202Y263	63	1.786,30	1	-

Mordaza para prensa serie RP200-1.



H201

CÓDIGO	MEDIDA	€/ud	□	⊕
H201Y001	0-40	81,53	1	-

Tijera cortatubos para tubos de hasta Ø40mm.



RP205

CÓDIGO	MEDIDA	€/ud	□	⊕
RP205Y001	0-20	86,55	1	-

Desbarbador interior para tubo de plástico y multicapa de 0-20mm.



RP208

CÓDIGO	MEDIDA	€/ud	□	⊕
RP208Y016	16x2	9,80	1	-
RP208Y018	18x2	10,00	1	-
RP208Y020	20x2	11,90	1	-

Muelle curvatubo en acero, para interior del tubo.



RP209

CÓDIGO	MEDIDA	€/ud	□	⊕
RP209Y001	14x2 a 20x2	66,05	1	5
RP209Y002	26x2 a 32x3	81,10	1	5

Calibrador y desbarbador interno para tubo multicapa.



R131

CÓDIGO	MEDIDA	€/ud	□	⊕
R131Y003	27/29	27,60	1	-
R131Y004	29/30	34,10	1	-

Llave fija para adaptadores.



NOTAS

Llave de 27 para base 16.
Llave de 29 para base 18.

> SISTEMA ADAPTADOR AM PARA MULTICAPA Y PLÁSTICO - TUBO

R996T

CÓDIGO	MEDIDA	€/m	☐	☒
R996Y172	12x1,1	1,04	240	-
R996Y175	12X1,1	1,04	600	-
R996Y048	16x1,5	1,25	240	-
R996Y065	16X1,5	1,25	500	-
R996TY227	16x2	1,48	100	-
R996TY219	16x2	1,48	240	-
R996TY264	16x2	1,48	600	-
R996TY054	17x2	1,52	100	-
R996TY033	17x2	1,52	240	-
R996TY052	17x2	1,52	600	-
R996TY249	18x2	1,75	100	-
R996TY220	18x2	1,75	240	-
R996TY250	18x2	1,75	500	-
R996TY221	20x2	1,80	100	-
R996TY222	20x2	1,80	240	-
R996TY253	20x2	1,80	400	-
R996TY068	25x2,3	3,25	320	-



Tubo GiacoTherm en polietileno reticulado PEX-b, con barrera anti-oxígeno externa. Idóneo para clase de aplicación 4 y 5, no válido para distribución de agua de consumo. Específico para instalaciones de suelo radiante en calefacción y refrescamiento. Flexibilidad elevada.

R999

ROLLO

CÓDIGO	MEDIDA	EURO/m	☐	☒
R999Y122	16 x 2	1,45	100	-
R999Y123	16 x 2	1,45	200	-
R999Y124	16 x 2	1,45	500	-
R999Y142	20 x 2	2,15	100	-
R999Y143	20 x 2	2,15	200	-
R999Y173	26 x 3	4,15	50	-
R999Y183	32 x 3	6,00	50	-

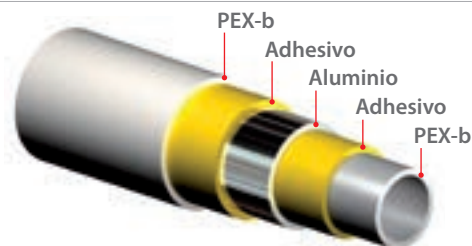


Tubo multicapa PEX-b/Al/PEX-b.

Idóneo para instalaciones sanitarias, calefacción y refrescamiento.

Clase de aplicación 1, 2, 4 y 5.

SECCIÓN DEL TUBO



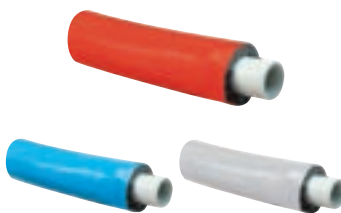
BARRA

CÓDIGO	MEDIDA	EURO/pcs.	☐	☒
R999Y125	16 x 2	1,70	120	-
R999Y145	20 x 2	2,30	120	-
R999Y174	26 x 3	4,85	50	-
R999Y184	32 x 3	6,90	50	-

R999I

PARA CALEFACCIÓN

CÓDIGO	MEDIDA	EURO/m	☐	☒
R999IY220	16 x 2 - aislante 6 mm - rojo	2,25	50	-
R999IY222	16 x 2 - aislante 6 mm - rojo	2,25	100	-
R999IY225	16 x 2 - aislante 6 mm - azul	2,25	50	-
R999IY227	16 x 2 - aislante 6 mm - azul	2,25	100	-
R999IY244	20 x 2 - aislante 6 mm - rojo	3,15	50	-
R999IY249	20 x 2 - aislante 6 mm - azul	3,15	50	-
R999IY240	20 x 2 - aislante 10 mm - rojo	3,15	50	-
R999IY245	20 x 2 - aislante 10 mm - azul	3,15	50	-
R999IY278	26 x 3 - aislante 10 mm - azul	6,75	50	-
R999IY270	26 x 3 - aislante 10 mm - rojo	6,75	25	-
R999IY272	26 x 3 - aislante 10 mm - rojo	6,75	50	-
R999IY275	26 x 3 - aislante 10 mm - azul	6,75	50	-
R999IY280	32 x 3 - aislante 10 mm - rojo	10,20	25	-
R999IY285	32 x 3 - aislante 10 mm - azul	10,20	25	-

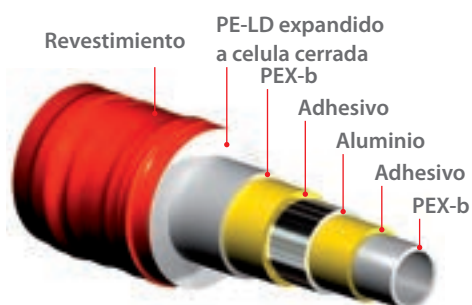


Tubo multicapa PEX-b/Al/PEX-b con aislamiento térmico.

Idóneo para instalaciones sanitarias, calefacción y refrescamiento.

Clase de aplicación 1, 2, 4 y 5.

SECCIÓN DEL TUBO



PARA CALEFACCIÓN Y REFRESCAMIENTO

CÓDIGO	MEDIDA	EURO/m	☐	☒
R999IY120	16 x 2 - aislante 10 mm - gris	2,80	50	-
R999IY140	20 x 2 - aislante 13 mm - gris	3,95	50	-
R999IY170	26 x 3 - aislante 13 mm - gris	8,60	25	-
R999IY180	32 x 3 - aislante 13 mm - gris	13,30	25	-

R986

CÓDIGO	MEDIDA	€/m	☐	☒
R986SY100	12x1,5	1,75	100	-
R986SY120	16x1,5	2,30	100	-
R986IY113	16X1,5 aislado	2,85	50	-
R986Y116	16x2	2,75	100	-
R986Y117	16x2	2,75	240	-
R986Y130	16x2 - 500m	2,75	500	-
R986Y118	18x2	3,90	100	-
R986Y119	18x2 - 240m	3,90	240	-
R986Y122	22X2	4,60	100	-



Tubo en polibutileno-1 homopolímero (PB-H) con barrera anti-oxígeno intermedia para instalaciones radiantes en calefacción y refrescamiento. Idóneo para clase de aplicación 4 y 5. Disponible con o sin aislamiento.

> SISTEMA ADAPTADOR AM PARA MULTICAPA Y PLÁSTICO - ADAPTADORES

R179AM

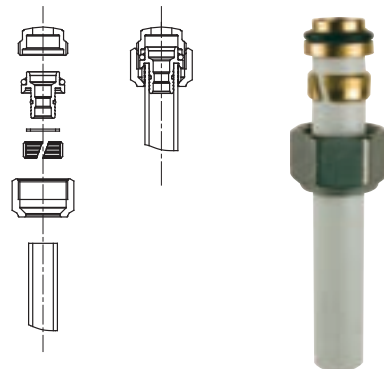
CÓDIGO	MEDIDA	€/ud	□	▣
R179MX013	16x(16x2,2)	3,15	25	250
R179MX014	16x(16x2,0)	2,65	25	250
R179MX015	16x(18x2,0)	3,10	25	250
R179MX016	16x(16,2x2,6)	3,20	25	250
R179MX017	16x(17,5x2,3)	3,10	25	250
R179MX019	16x(17x2,0)	2,65	25	250
R179MX020	16x(20x2,0)	3,10	25	250
R179MX021	16x(20x2,5)	3,15	25	250
R179MX036	16x(20x2,25)	3,15	25	250
R179MX022	18x(14x2,0)	2,95	25	250
R179MX023	18x(16x2,2)	3,35	25	250
R179MX024	18x(16x2,0)	2,75	25	250
R179MX025	18x(18x2,0)	3,35	25	250
R179MX026	18x(20x2,0)	3,35	25	250
R179MX027	18x(20x2,5)	3,20	25	250
R179MX028	18x(16,2x2,6)	3,20	25	250
R179MX030	18x(17,5x2,3)	3,30	25	250
R179MX034	18x(17x2,0)	3,15	25	250
R179MX035	18x(20x2,25)	3,20	25	250
R179MX040	22x(26x3)	5,20	25	250
R179MX045	28x(32x3)	7,90	10	100



Adaptador para tubo de plástico y multicapa en instalaciones hidráulicas. Conforme a la norma EN 1254-3.

Junta tórica negra conforme a la norma EN 681-1.
Rango de temperatura 5 ÷ 110 °C.
Presión máxima de trabajo 10bar.

CONEXIÓN A LA INSTALACIÓN



R179

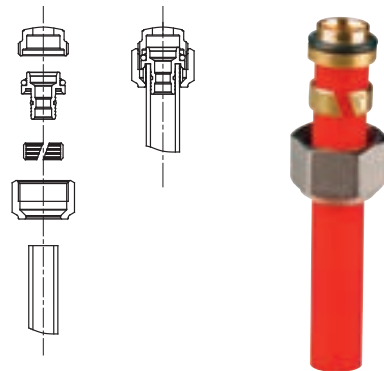
CÓDIGO	MEDIDA	€/ud	□	▣
R179X025	16x(12x2,0)	2,65	25	250
R179X026	16x(12x1,8)	2,65	25	250
R179X027	16x(12x1,1)	2,65	25	250
R179X033	16x(15x2,5)	3,60	25	250
R179X034	16x(15x2,0)	2,65	25	250
R179X040	16x(16x1,8)	2,65	25	250
R179X041	16x(16x1,5)	2,65	25	250
R179X044	16(17,6x3,0)	2,65	25	250
R179X046	16x(18x2,5)	3,55	25	250
R179X051	16x(20x1,9)	2,65	25	250
R179X062	18x(12x2,0)	3,05	25	250
R179X063	18x(12x1,1)	3,00	25	250
R179X055	18x(12x1,5)	3,00	25	250
R179X070	18x(15x2,5)	3,00	25	250
R179X094	18x(15x2,0)	3,35	25	250
R179X072	18x(16x2,7)	3,25	25	250
R179X076	18x(16x1,8)	3,35	25	250
R179X077	18x(16x1,5)	2,95	25	250
R179X079	18x(17x2,5)	3,20	25	250
R179X082	18x(18x2,5)	2,85	25	250
R179X086	18x(20x3,4)	3,00	25	250
R179X087	18x(20x2,8)	2,95	25	250
R179X091	18x(20x1,9)	2,95	25	250
R179X092	18x(21x2,5)	3,00	25	250
R179X095	18x(22x2,0)	3,35	25	250
R179X102	22x(20x1,9)	4,75	25	250
R179X103	22x(25x3,5)	4,80	10	100
R179X104	22x(25x2,5)	4,80	10	100
R179X105	22x(25x2,3)	4,75	25	250



Adaptador para tubo de plástico (para medidas no disponibles en la serie R179AM) en instalaciones hidráulicas. Conforme a la norma EN 1254-3.

Junta tórica negra conforme a la norma EN 681-1.
Rango de temperatura 5 ÷ 110 °C.
Presión máxima de trabajo 10bar.

CONEXIÓN A LA INSTALACIÓN



R179E

CROMADOS

CÓDIGO	MEDIDA	€/ud	□	▣
R179EX021	3/4"x(12x1,5)	4,60	25	250
R179EX023	3/4"x(14x2)	3,05	25	250
R179EX022	3/4"x(16x1,5)	3,05	25	250
R179EX024	3/4"x(16x2)	3,05	25	250
R179EX025	3/4"x(17x2)	3,05	25	250
R179EX026	3/4"x(18x2)	3,05	25	250
R179EX027	3/4"x(20x2)	3,05	25	250

NO CROMADOS

CÓDIGO	MEDIDA	€/ud	□	▣
R179EY055	1/2"x(16x2)	2,15	25	250
R179EY056	1/2"x(16x2,2)	3,50	25	250
R179EY058	1/2"x(16,2x2,6)	3,50	25	250
R179EY028	3/4"x(16x1,8)	3,50	25	250



Adaptador para tubo de plástico y multicapa con rosca Gas (1/2" o 3/4" Eurocono). Válido para instalaciones hidráulicas. Conforme a la norma EN 1254-3.

Junta tórica negra conforme a la norma EN 681-1.
Rango de temperatura 5 ÷ 110 °C.
Presión máxima de trabajo 10bar.

T179M

CÓDIGO	MEDIDA	€/ud	□	⊞
T179MX005	16x(14x2)	6,00	1	10
T179MX009	16x(16x2)	6,00	1	10
T179MX010	16x(16x2,2)	6,00	1	-



Adaptador cromado pulido para tubo multicapa y plástico.

Conforme a la norma EN 1254-3.

Junta tórica negra conforme a norma EN 681-1.

Válido para instalaciones hidráulicas.

Rango de temperatura 5 ÷ 110 °C.

Presión máxima de trabajo 10bar.

R186M

CÓDIGO	MEDIDA	€/ud	□	⊞
R186MY003	3/8" x(12x2)	4,00	1	-
R186MY013	3/8" x(16x2)	4,00	1	-
R186MY014	3/8" x(16x1,5)	4,00	1	-
R186MY033	1/2" x(12x2)	3,70	1	-
R186MY036	1/2" x(12x1,1)	3,70	1	-
R186MY041	1/2" x(15x2,5)	4,60	1	-
R186MY046	1/2" x(16x2,2)	3,70	1	-
R186MY048	1/2" x(16x2)	3,65	1	-
R186MY050	1/2" x(16x1,8)	3,70	1	-
R186MY051	1/2" x(16x1,5)	3,70	1	-
R186MY053	1/2" x(17x2)	3,75	1	-
R186MY055	1/2" x(18x2,5)	4,30	1	-
R186MY057	1/2" x(18x2)	4,05	1	-
R186MY060	1/2" x(20x2,8)	4,40	1	-
R186MY064	1/2" x(20x1,9)	4,45	1	-
R186MY080	3/4" x(16x2,2)	4,70	1	-
R186MY089	3/4" x(18x2)	4,70	1	-
R186MY098	3/4" x(20x1,9)	4,90	1	-
R186MY103	3/4" x(25x2,5)	5,90	1	-
R186MY104	3/4" x(25x2,3)	5,85	1	-



Racor recto macho con adaptador para tubo plástico o multicapa (1) conforme a EN 1254-3. Válido para instalación hidráulica. Junta tórica negra conforme a EN 681.1.

Campo de temperatura 5°C a 110°C.

Presión máxima de trabajo 10bar.

NOTAS

1- Únicamente las referencias R186MY044, R186MY048, R186MY062 y R186MY096 son válidas para tubo multicapa.

INFORMACION

En las referencias R186MY103 y R186MY104 el racor y el adaptador (excepto tuerca y bicono) forman una pieza única, no desmontable.

R187M

CÓDIGO	MEDIDA	€/ud	□	⊞
R187MX048	1/2" x(16x2)	4,20	1	100
R187MX046	1/2" x(16x2,2)	4,15	1	100
R187MX057	1/2" x(18x2)	4,35	1	150
R187MX061	1/2" x(20x2,5)	4,35	1	100
R187MX082	3/4" x(16x2)	4,65	1	100
R187MX089	3/4" x(18x2)	5,00	1	100
R187MX096	3/4" x(20x2)	4,65	1	100
R187MX105	3/4" x(26x2)	7,45	1	100
R187MX115	1" x(26x3)	8,00	1	100
R187MX126	1" x(32x3)	12,15	1	50
R187MX130	1 1/4" x(32x3)	17,45	1	50



Racor recto rosca macho para tubo de plástico o multicapa. Conforme a la norma EN 1254-3.

Fabricado en latón cromado.

Junta tórica negra conforme a la norma EN 681-1.

Rango de temperatura 5 ÷ 110 °C.

Presión máxima de trabajo 10bar.

R186F

CÓDIGO	MEDIDA	€/ud	□	⊞
R186FY003	3/8" x(12x2)	3,65	1	-
R186FY004	3/8" x(12x1,1)	3,65	1	-
R186FY033	1/2" x(12x2)	3,80	1	-
R186FY035	1/2" x(12x1,1)	3,80	1	-
R186FY041	1/2" x(15x2,5)	4,35	1	-
R186FY046	1/2" x(16x2,2)	3,80	1	-
R186FY050	1/2" x(16x1,8)	3,80	1	-
R186FY051	1/2" x(16x1,5)	3,70	1	-
R186FY053	1/2" x(17x2)	3,80	1	-
R186FY055	1/2" x(18x2,5)	4,20	1	-
R186FY057	1/2" x(18x2)	3,85	1	-
R186FY064	1/2" x(20x1,9)	4,15	1	-
R186FY081	3/4" x(16x2,2)	4,55	1	-
R186FY094	3/4" x(20x2,8)	5,85	1	-
R186FY098	3/4" x(20x1,9)	5,85	1	-
R186FY103	3/4" x(25x2,5)	5,90	1	-
R186FY104	3/4" x(25x2,3)	6,00	1	-



Racor recto hembra con adaptador para tubo plástico o multicapa (1) conforme a EN 1254-3.

Válido para instalación hidráulica. Junta tórica negra conforme a EN 681.1.

Campo de temperatura 5°C a 110°C.

Presión máxima de trabajo 10bar.

NOTAS

1- Únicamente las referencias R186FY048, R186FY062 y R186FY096 son válidas para tubo multicapa.

R187F

CÓDIGO	MEDIDA	€/ud	□	⊞
R187FX048	1/2" x(16x2)	4,20	1	100
R187FX046	1/2" x(16x2,2)	4,05	1	100
R187FX052	1/2" x(18x2)	4,25	1	100
R187FX062	1/2" x(20x2)	4,15	1	100
R187FX061	1/2" x(20x2,5)	4,40	1	100
R187FX082	3/4" x(16x2)	5,10	1	250
R187FX092	3/4" x(18x2)	5,30	1	150
R187FX096	3/4" x(20x2)	5,30	1	100
R187FX105	3/4" x(26x3)	7,40	1	100
R187FX115	1" x(26x3)	8,40	1	100
R187FX126	1" x(32x3)	12,50	1	100



Racor recto rosca hembra para tubo de plástico o multicapa. Conforme a la norma EN 1254-3.

Fabricado en latón cromado.

Junta tórica negra conforme a la norma EN 681-1.

Rango de temperatura 5 ÷ 110 °C.

Presión máxima de trabajo 10bar.

> SISTEMA ADAPTADOR AM PARA MULTICAPA Y PLÁSTICO - ACCESORIOS

R180R

CROMADO

CÓDIGO	MEDIDA	€/ud	□	▣
R180RX015	1/2" x16	1,65	50	500
R180RX016	1/2" x18	1,70	25	250
R180RX021	3/4" x18	2,10	1	250
R180RX023	3/4" x22	2,60	1	250

NO CROMADO

CÓDIGO	MEDIDA	€/ud	□	▣
R180RY007	3/8" x16	1,49	50	500
R180RY015	1/2" x16	1,30	50	500
R180RY016	1/2" x18	1,49	25	250
R180RY020	3/4" x16	1,80	25	250
R180RY021	3/4" x18	1,85	25	250
R180RY023	3/4" x22	2,50	25	250
R180RY027	1" x22	3,35	20	200
R180RY028	1" x28	4,40	10	100
R180RY034	1" 1/4x28	4,80	10	100

Racor recto macho, en latón, para adaptadores de tubo de cobre, plástico o multicapa.



R180FR

CROMADO

CÓDIGO	MEDIDA	€/ud	□	▣
R180RX055	1/2" x16	1,65	50	500
R180RX056	1/2" x18	1,95	50	500

NO CROMADO

CÓDIGO	MEDIDA	€/ud	□	▣
R180RY055	1/2" x16	1,25	50	500
R180RY056	1/2" x18	1,50	50	500
R180RY060	3/4" x16	1,80	25	250
R180RY061	3/4" x18	1,85	25	250
R180RY063	3/4" x22	2,30	25	250
R180RY068	1" x28	4,90	10	100

Racor recto hembra, en latón, para adaptadores de tubo de cobre, plástico o multicapa.



R560R

CROMADO

CÓDIGO	MEDIDA	€/ud	□	▣
R560RX007	base 16	1,85	25	250
R560RX008	base 18	2,05	25	250

NO CROMADO

CÓDIGO	MEDIDA	€/ud	□	▣
R560RY007	base 16	1,60	25	250
R560RY008	base 18	1,90	25	250
R560RY009	base 22	3,05	20	200
R560RY010	base 28	5,00	10	100

Manguito recto, en latón, para adaptadores de tubo de cobre, plástico o multicapa.



R561R

CROMADO

CÓDIGO	MEDIDA	€/ud	□	▣
R561RX007	base 16	2,30	25	250
R561RX008	base 18	2,60	25	250

NO CROMADO

CÓDIGO	MEDIDA	€/ud	□	▣
R561RY007	base 16	1,95	25	250
R561RY008	base 18	2,15	25	250
R561RY009	base 22	3,35	10	100
R561RY010	base 28	5,15	10	100

Codo 90° para adaptadores de tubo de cobre, plástico o multicapa.



R562R

CROMADO

CÓDIGO	MEDIDA	€/ud	□	▣
R562RX015	1/2" x16	2,45	25	250
R562RX016	1/2" x18	2,65	25	250

NO CROMADO

CÓDIGO	MEDIDA	€/ud	□	▣
R562RY015	1/2" x16	2,05	25	250
R562RY016	1/2" x18	2,25	25	250
R562RY021	3/4" x18	2,55	25	250
R562RY023	3/4" x22	3,15	10	100
R562RY027	1" x22	3,65	10	100
R562RY028	1" x28	4,90	10	100
R562RY034	1" 1/4x28	5,80	10	100

Racor curvo 90° rosca macho para adaptadores de tubo de cobre, plástico o multicapa.



R563R

CROMADO

CÓDIGO	MEDIDA	€/ud	□	▣
R563RX015	1/2" x16	2,70	25	250
R563RX016	1/2" x18	3,00	25	250

NO CROMADO

CÓDIGO	MEDIDA	€/ud	□	▣
R563RY015	1/2" x16	2,20	25	250
R563RY016	1/2" x18	2,30	25	250
R563RY021	3/4" x18	2,80	25	250
R563RY023	3/4" x22	3,30	10	100
R563RY028	1" x28	5,40	10	100

Racor curvo 90° rosca hembra para adaptadores de tubo de cobre, plástico o multicapa.



R572R

CROMADO

CÓDIGO	MEDIDA	€/ud	□	▣
R572RX002	1/2" x16	3,70	10	100

NO CROMADO

CÓDIGO	MEDIDA	€/ud	□	▣
R572RY002	1/2" x16	3,70	10	100
R572RY003	1/2" x18	3,70	10	100

Racor curvo 90° rosca hembra con placa de sujeción a pared con conexión para adaptadores de tubo de cobre, plástico o multicapa.



R564R

CROMADO

CÓDIGO	MEDIDA	€/ud	□	▣
R564RX007	base 16	2,80	25	250
R564RX008	base 18	3,25	25	250

NO CROMADO

CÓDIGO	MEDIDA	€/ud	□	▣
R564RY007	base 16	2,40	25	250
R564RY008	base 18	3,25	25	250
R564RY009	base 22	4,15	10	100
R564RY010	base 28	7,65	5	50

Te con conexión para adaptadores de tubo de cobre, plástico o multicapa.



R568R

CÓDIGO	MEDIDA	€/ud	□	⊞
R568RY015	16x1/2" x16	2,45	25	250
R568RY016	18x1/2" x18	2,70	25	250
R568RY021	18x3/4" x18	3,10	10	100
R568RY023	22x3/4" x22	4,25	10	100
R568RY028	28x1" x28	7,40	5	50

Te con rosca macho en conexión central.
Conexión para adaptadores de tubo de cobre, plástico o multicapa.



R569R

CÓDIGO	MEDIDA	€/ud	□	⊞
R569RY015	16x1/2" x16	2,60	25	250
R569RY016	18x1/2" x18	3,05	25	250
R569RY021	18x3/4" x18	3,85	10	100
R569RY023	22x3/4" x22	4,60	10	100
R569RY028	28x1" x28	7,70	5	50

Te con rosca hembra en conexión central.
Conexión para adaptadores de tubo de cobre, plástico o multicapa.



R570R

CÓDIGO	MEDIDA	€/ud	□	⊞
R570RY015	16x16x1/2	2,70	25	250
R570RY016	18x18x1/2"	2,80	25	250
R570RY021	18x18x3/4"	3,15	10	100
R570RY023	22x22x3/4"	4,20	10	100
R570RY028	28x28x1"	7,45	5	50

Te con rosca macho en conexión lateral.
Conexión para adaptadores de tubo de cobre, plástico o multicapa.



R571R

CÓDIGO	MEDIDA	€/ud	□	⊞
R571RY015	16x16x1/2"	2,80	25	250
R571RY016	18x18x1/2"	3,05	20	200
R571RY021	18x18x3/4"	3,50	10	100

Te con rosca hembra en conexión lateral.
Conexión para adaptadores de tubo de cobre, plástico o multicapa.



R18

CROMADAS

CÓDIGO	MEDIDA	€/ud	□	⊞
R18X002	3/8"	3,20	20	200
R18X003	1/2"	3,90	10	100
R18X004	3/4"	6,30	10	100
R18X005	1"	9,00	5	50
R18X006	1" 1/4	13,75	5	50
R18X007	1" 1/2	30,10	2	20
R18X008	2"	42,10	2	10

NO CROMADAS

CÓDIGO	MEDIDA	€/ud	□	⊞
R18Y002	3/8"	2,95	20	200
R18Y003	1/2"	3,35	10	100
R18Y004	3/4"	5,45	10	100
R18Y005	1"	8,00	5	50
R18Y006	1" 1/4	12,50	5	50
R18Y007	1" 1/2	28,55	2	20
R18Y008	2"	36,45	2	10

Racor recto 3 piezas H-M con junta cónica en unión intermedia. Válido para instalaciones hidráulicas e instalaciones solares térmicas. Rango de temperatura 5 ÷ 160 °C (hasta 1 1/4"), 5 ÷ 110 °C (1 1/2" y 2"). Presión máxima de trabajo 10bar.



R18SP

CÓDIGO	MEDIDA	€/ud	□	⊞
R18SPY005	1"	11,05	5	50
R18SPY006	1 1/4"	18,10	5	25
R18SPY007	1 1/2"	37,75	2	20
R18SPY008	2"	51,85	2	10

Racor recto 3 piezas H-M con junta plana en unión intermedia. Válido para instalaciones hidráulicas.

Rango de temperatura 5 ÷ 110 °C.
Presión máxima de trabajo 10bar.



R20

CÓDIGO	MEDIDA	€/ud	□	⊞
R20Y004	3/4" x3/4"	5,75	10	100

Racor recto 3 piezas M-M con junta cónica en unión intermedia. Válido para instalaciones hidráulicas.

Rango de temperatura 5 ÷ 110 °C.
Presión máxima de trabajo 10bar.



R19

CROMADAS

CÓDIGO	MEDIDA	€/ud	□	⊞
R19X002	3/8"	3,65	10	100
R19X003	1/2"	4,55	10	100
R19X004	3/4"	7,15	5	50
R19X005	1"	11,05	5	50
R19X006	1" 1/4	18,75	2	20
R19X007	1" 1/2	38,90	2	20
R19X008	2"	50,20	2	12

NO CROMADAS

CÓDIGO	MEDIDA	€/ud	□	⊞
R19Y002	3/8"	3,50	10	100
R19Y003	1/2"	4,30	10	100
R19Y004	3/4"	7,15	5	50
R19Y005	1"	10,50	5	50
R19Y006	1" 1/4	17,65	2	20
R19Y007	1" 1/2	35,35	2	20
R19Y008	2"	44,40	2	12

Racor curvo 3 piezas H-M con junta cónica en unión intermedia. Válido para instalaciones hidráulicas e instalaciones solares térmicas.

Rango de temperatura 5 ÷ 160 °C (hasta 1 1/4"), 5 ÷ 110 °C (1 1/2" y 2").

Presión máxima de trabajo 10bar.



R178R

CROMADAS

CÓDIGO	MEDIDA	€/ud	□	⊞
R178RX011	16x18	3,25	1	250
R178RX012	18x22	4,45	1	250

NO CROMADAS

CÓDIGO	MEDIDA	€/ud	□	⊞
R178RY011	16x18	3,25	1	250
R178RY012	18x22	4,30	1	250

Racor recto para aumentar la base de adaptador de tubo de cobre, plástico o multicapa.



R177

CÓDIGO	MEDIDA	€/ud	□	⊞
R177X010	16x1/2"	4,40	25	250

Racor para transformar "base para adaptador" a conexión a "tubo de hierro", en latón cromado.



T177

CÓDIGO	MEDIDA	€/ud	☐	☒
T177X010	16x1/2"	7,85	1	25

Racor para transformar "base para adaptador" a conexión a "tubo de hierro", en latón. Acabado cromado pulido.



R176P

CÓDIGO	MEDIDA	€/ud	☐	☒
R176PX003	16x16	3,60	25	250
R176PX004	18x18	4,10	25	250

Racor prolongador base adaptador, acabado cromado, con tuerca loca. Conexión para adaptador de tubo de cobre, plástico o multicapa.

Longitud 30mm.

Rango de temperatura 5 ÷ 110 °C.

Presión máxima de trabajo 10bar.



R567

CÓDIGO	MEDIDA	€/ud	☐	☒
R567Y016	18x1/2"	1,85	50	500

Racor para conversión de "base adaptador" a conexión "tubo de hierro". En latón.



R573D-1

CÓDIGO	MEDIDA	€/ud	☐	☒
R573DY102	1/2"x16	10,00	5	50

Codo terminal hembra plastificado con conexión enrasada a pared. Conexión con adaptador para tubo de cobre, plástico o multicapa.

Posibilidad de utilizar el tubo de cobre R541N.

Para distribución de fontanería desmontable.

Rango de temperatura 5 ÷ 110 °C.

Presión máxima de trabajo 10bar.



R573D

CÓDIGO	MEDIDA	€/ud	☐	☒
R573DY002	1/2"x16	9,55	1	-
R573DY003	1/2"x18	9,60	1	-

Codo terminal hembra plastificado con conexión saliente de pared. Conexión con adaptador para tubo de cobre, plástico o multicapa.

Posibilidad de utilizar el tubo de cobre R541N.

Para distribución de fontanería desmontable.

Rango de temperatura 5 ÷ 110 °C.

Presión máxima de trabajo 10bar.



R544

CÓDIGO	MEDIDA	€/ud	☐	☒
R544Y002	1/2"x16	25,00	1	-
R544Y003	1/2"x18	25,35	1	-

Codo terminal hembra plastificado con conexión saliente de pared. Doble conexión a tubería para sistema antilegionela. Conexión con adaptador para tubo de cobre, plástico o multicapa.

Posibilidad de utilizar el tubo de cobre R541N.

Para distribución de fontanería desmontable.

Rango de temperatura 5 ÷ 110 °C.

Presión máxima de trabajo 10bar.



R541N

CÓDIGO	MEDIDA	€/ud	☐	☒
R541NX001	1/2"x16	10,55	10	100

Tubo de cobre en acabado cromado pulido, con conexión 1/2"M con autojunta. Longitud 120mm.



R578C

CÓDIGO	MEDIDA	€/ud	☐	☒
R578CY001	-	14,20	1	50
R578CY002	-	4,10	1	70

Soporte metálico para codos terminales.

R578CY001: Para pared de cartón yeso.

R578CY002: Para pared de obra.



R577D

CÓDIGO	MEDIDA	€/ud	☐	☒
R577DY001	1/2"	1,85	10	100

Tapón de plástico para prueba de presión en codo terminal.



R985R

CÓDIGO	MEDIDA	€/m	☐	☒
R985RY001	Ø25x20	1,34	100	-
R985RY002	Ø30x25	1,75	100	-

Vaina roja en PE-HD.

Para instalaciones sanitarias extraíbles.



R985B

CÓDIGO	MEDIDA	€/m	☐	☒
R985BY001	Ø25x20	1,34	100	-
R985BY002	Ø30x25	1,75	100	-

Vaina azul en PE-HD.

Para instalaciones sanitarias extraíbles.



R985N

CÓDIGO	MEDIDA	€/m	☐	☒
R985NY001	25x20	1,34	100	-
R985NY002	30x25	1,75	100	-

Vaina negra en PE-HD.

Para instalaciones sanitarias extraíbles.



R998

CÓDIGO	MEDIDA	€/ud	☐	☒
R998Y005	-	1,04	10	100
R998Y006	-	1,04	10	100

Tapón terminal para vaina.

R998Y005: Rojo.

R998Y006: Azul.



R576

CÓDIGO	MEDIDA	€/ud	☐	☒
R576X001	-	9,90	1	-

Accesorio de extracción para tubería plástica.



> SISTEMA ADAPTADOR AM PARA MULTICAPA Y PLÁSTICO - COLECTORES

R580C

SALIDAS 1/2" O 3/4"E

CÓDIGO	MEDIDA	€/ud	☐	☒
R580CY062	3/4"x1/2"E /2	12,30	1	50
R580CY063	3/4"x1/2"E /3	16,55	1	50
R580CY064	3/4"x1/2"E /4	22,50	1	50
R580CY052	1"x3/4"E /2	17,90	1	50
R580CY053	1"x3/4"E /3	26,60	1	50
R580CY054	1"x3/4"E /4	35,25	1	30

SALIDAS BASE 16

CÓDIGO	MEDIDA	€/ud	☐	☒
R580CY022	3/4"x16/2	10,25	1	50
R580CY023	3/4"x16/3	14,30	1	50
R580CY024	3/4"x16/4	17,25	1	50
R580CY042	1"x16/2	15,55	1	50
R580CY043	1"x16/3	20,30	1	50
R580CY044	1"x16/4	24,75	1	30



Colector componible simple, en latón. Conexión a adaptador para tubo de cobre, plástico o multicapa.

Rango de temperatura 5 ÷ 110 °C.

Presión máxima de trabajo 10bar.

NOTAS

Colector 3/4" x 1/2": separación entre salidas 35mm.

Colector 1" x 3/4"E: separación entre salidas 40mm.

Colector 3/4" x 16 y 1" x 16: separación entre salidas 35mm.

Con los colectores R580CY062, R580CY063, R580CY064 (Ø asiento adaptador 16 mm) se pueden utilizar únicamente los adaptadores R179EY052, R179EY055, R179EY056, R179EY058, RM179Y113, RM179Y116, R178EY121, R178EY122, R178EY123, R178EY124, R178EY125.

Con los colectores R580CY052, R580CY053, R580CY054 se pueden utilizar únicamente los adaptadores R179EX021, R179EX022, R179EX023, R179EX024, R179EX025, R179EX026, R179EX027, R179EY028, RM179X103, RM179X106, R178EX112, R178EX113, R178EX104, R178EX115, R178EX116.

Con los colectores base 16 utilizar los adaptadores R178, R179 o R179AM.

R585C

SALIDAS 1/2"

CÓDIGO	MEDIDA	€/ud	☐	☒
R585CY062	3/4"x1/2"E /2	29,05	1	20
R585CY063	3/4"x1/2"E /3	39,95	1	20
R585CY064	3/4"x1/2"E /4	51,65	1	20

SALIDAS BASE 16

CÓDIGO	MEDIDA	€/ud	☐	☒
R585CY022	3/4"x16/2	28,45	1	20
R585CY023	3/4"x16/3	39,90	1	20
R585CY024	3/4"x16/4	50,30	1	20
R585CY042	1"x16/2	37,70	1	20
R585CY043	1"x16/3	51,80	1	20
R585CY044	1"x16/4	66,50	1	20



Colector componible simple, en latón, con válvula de corte por circuito. Conexión a adaptador para tubo de cobre, plástico o multicapa.

Rango de temperatura 5 ÷ 110 °C.

Presión máxima de trabajo 10bar.

NOTAS

Colector 3/4" x 1/2": separación entre salidas 35mm.

Colector 3/4" x 16 y 1" x 16: separación entre salidas 50mm.

Con los colectores R585CY062, R585CY063, R585CY064 (Ø asiento adaptador 16 mm) se pueden utilizar únicamente los adaptadores R179EY052, R179EY055, R179EY056, R179EY058, RM179Y113, RM179Y116, R178EY121, R178EY122, R178EY123, R178EY124, R178EY125.

Con los colectores base 16 utilizar los adaptadores R178, R179 o R179AM.

R580

CÓDIGO	MEDIDA	€/ud	☐	☒
R580Y022	3/4"x16 /2	13,65	1	10
R580Y023	3/4"x16 /3	18,85	1	10
R580Y024	3/4"x16 /4	24,35	1	10
R580Y025	3/4"x16 /5	29,50	1	5
R580Y026	3/4"x16 /6	34,35	1	5
R580Y027	3/4"x16 /7	40,80	1	10
R580Y028	3/4"x16 /8	46,80	1	10
R580Y029	3/4"x16 /9	53,30	1	10
R580Y030	3/4"x16 /10	58,40	1	10
R580Y062	1"x16 /2	16,75	1	15
R580Y063	1"x16 /3	23,65	1	10
R580Y064	1"x16 /4	29,85	1	10
R580Y065	1"x16 /5	36,50	1	5
R580Y066	1"x16 /6	44,10	1	5
R580Y067	1"x16 /7	50,15	1	5
R580Y068	1"x16 /8	57,65	1	5
R580Y069	1"x16 /9	64,55	1	5
R580Y070	1"x16 /10	71,55	1	5
R580Y071	1"x16 /11	86,05	1	5



Colector de distribución, en latón, con conexión para adaptador de tubo de cobre, plástico o multicapa.

Rango de temperatura 5 ÷ 110 °C.

Presión máxima de trabajo 16bar.

NOTAS

Separación entre salidas: 35mm

Conexión de tubería con adaptadores R178, R179 o R179AM.

R585

CÓDIGO	MEDIDA	€/ud	☐	☒
R585Y022	3/4"x16/2	18,00	1	10
R585Y023	3/4"x16/3	25,00	1	10
R585Y024	3/4"x16/4	32,35	1	10
R585Y025	3/4"x16/5	39,75	1	5
R585Y026	3/4"x16/6	47,20	1	5
R585Y027	3/4"x16/7	54,40	1	10
R585Y028	3/4"x16/8	61,70	1	10
R585Y029	3/4"x16/9	71,90	1	10
R585Y030	3/4"x16/10	79,70	1	10
R585Y042	1"x16/2	22,90	1	15
R585Y043	1"x16/3	32,50	1	10
R585Y044	1"x16/4	39,85	1	10
R585Y045	1"x16/5	49,35	1	5
R585Y046	1"x16/6	62,80	1	5
R585Y047	1"x16/7	67,75	1	5
R585Y048	1"x16/8	77,85	1	5
R585Y049	1"x16/9	87,20	1	5
R585Y050	1"x16/10	96,80	1	5



Colector de distribución en latón con detentor y conexión para adaptador de tubo de cobre, plástico o multicapa.

Rango de temperatura 5 ÷ 110 °C.

Presión máxima de trabajo 10bar.

NOTAS

Separación entre salidas: 35mm

Conexión de tubería con adaptadores R178, R179 o R179AM.

R259D

ACABADO NO CROMADO

CÓDIGO	MEDIDA	€/ud	☐	☒
R259Y005	3/4"x3/4" - Palomilla roja	14,70	10	20
R259Y007	1"x1" - Palomilla roja	21,90	10	20

Válvula de esfera cromada con conexión hembra-macho, con enlace. Accionamiento por palomilla (azul o roja). Paso estándar. Válida para instalaciones hidráulicas.

Rango de temperatura -20 ÷ 185 °C.

NOTAS

Para versión no cromada: disponible con palomilla roja o azul.

Verificar la aplicación real de la válvula y las certificaciones de la misma consultando la documentación técnica específica.



R251D

PALOMILLA ROJA

CÓDIGO	MEDIDA	€/ud	☐	☒
R251X004	3/4"	10,40	5	50
R251X005	1"	15,00	5	25

Válvula de esfera cromada con conexión hembra-hembra. Accionamiento por palomilla (roja para agua y amarilla para gas e hidrocarburos líquidos). Paso estándar. Rango de temperatura -20 ÷ 185 °C.

NOTAS

Verificar la aplicación real de la válvula y las certificaciones de la misma consultando la documentación técnica específica.



R592D

CROMADAS

CÓDIGO	MEDIDA	€/ud	☐	☒
R592DY004	3/4"	2,20	50	500
R592DY005	1"	2,65	25	250

Tapón terminal para colector, en latón, con autojunta.



R594

CÓDIGO	MEDIDA	€/ud	☐	☒
R594Y002	24/19 (base 16)	1,13	25	250
R594Y004	1"	2,45	25	250
R594Y005	3/4"	2,15	1	500

Tapa conexión hembra para colectores.



R584

CÓDIGO	MEDIDA	€/ud	☐	☒
R584Y101	332x272x86	34,20	1	-
R584Y102	412x272x86	38,00	1	-
R584Y103	512x272x86	51,75	1	-
R584Y104	612x272x86	61,55	1	-



Caja de plástico con tapa. Completa de Kit de sujeción de colectores.

Válida para colectores de 3/4" o 1" de la serie R580, R551, R580C, R585C, modulares DN25 y R587B.

> SISTEMA ADAPTADOR AM PARA MULTICAPA Y PLÁSTICO - HERRAMIENTAS

R131

CÓDIGO	MEDIDA	€/ud	☐	☒
R131Y003	27/29	27,60	1	-
R131Y004	29/30	34,10	1	-



Llave fija para adaptadores.

NOTAS

Llave de 27 para base 16.
Llave de 29 para base 18.

H201

CÓDIGO	MEDIDA	€/ud	☐	☒
H201Y001	0-40	83,60	1	-



Tijera cortatubos para tubos de hasta Ø40mm.

RP205

CÓDIGO	MEDIDA	€/ud	☐	☒
RP205Y001	0-20	86,55	1	-



Desbarbador interior para tubo de plástico y multicapa de 0-20mm.

RP208

CÓDIGO	MEDIDA	€/ud	☐	☒
RP208Y016	16x2	9,80	1	-
RP208Y018	18x2	10,00	1	-
RP208Y020	20x2	11,90	1	-



Muelle curvatubo en acero, para interior del tubo.

RP209

CÓDIGO	MEDIDA	€/ud	☐	☒
RP209Y001	14x2 a 20x2	66,05	1	5
RP209Y002	26x2 a 32x3	81,10	1	5



Calibrador y desbarbador interno para tubo multicapa.

> SISTEMA ADAPTADOR PARA COBRE - ADAPTADORES

R178

CÓDIGO	MEDIDA	€/ud	□	⊞
R178X012	16x10	2,20	50	250
R178X013	16x12	2,20	50	500
R178X015	16x14	2,20	50	250
R178X016	16x15	2,20	25	250
R178X018	16x16	2,20	50	250
R178X031	18x10	2,20	50	250
R178X032	18x12	2,20	25	250
R178X033	18x14	2,20	50	250
R178X034	18x15	2,20	50	250
R178X035	18x16	2,20	50	250
R178X036	18x18	2,20	50	500
R178X042	22x18	3,90	25	250
R178X043	22x22	3,95	25	250
R178EX112	3/4"E x12	2,10	50	500
R178EX113	3/4"E x14	2,10	50	500
R178EX104	3/4"E x15	2,10	25	250
R178EX115	3/4"E x16	2,50	50	500
R178EX116	3/4"E x18	2,30	50	500



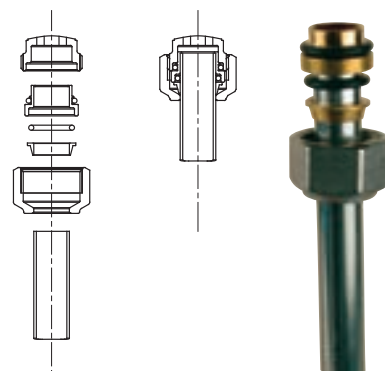
Adaptador para tubo de cobre en instalaciones hidráulicas. Conforme a la norma EN 1254-2. Junta tórica negra conforme a la norma EN681-1. Rango de temperatura: 5÷110 °C. Presión máxima de trabajo: 10 bar

NOTAS

ATENCIÓN! Se recomienda no apretar más de 1/8 de vuelta con la llave, una vez apretada la tuerca a tope con la mano.

Un apriete excesivo de la tuerca puede dañar los componentes de la unión.

CONEXIÓN A LA INSTALACIÓN



R178E

CÓDIGO	MEDIDA	€/ud	□	⊞
R178EY121	1/2"Ex10	2,50	1	500
R178EY122	1/2"Ex12	2,50	1	500
R178EY123	1/2"Ex14	2,50	1	500
R178EY124	1/2"Ex15	2,50	1	500
R178EY125	1/2"Ex16	3,85	1	500



Adaptador para tubo de cobre en instalaciones hidráulicas. Conforme a la norma EN 1254-2. Junta tórica negra conforme a la norma EN681-1. Rango de temperatura: 5÷110 °C. Presión máxima de trabajo: 10 bar

NOTAS

ATENCIÓN! Se recomienda no apretar más de 1/8 de vuelta con la llave, una vez apretada la tuerca a tope con la mano.

Un apriete excesivo de la tuerca puede dañar los componentes de la unión.

R178C

CÓDIGO	MEDIDA	€/ud	□	⊞
R178CX012	16x10	2,10	50	250
R178CX013	16x12	2,10	50	250
R178CX015	16x14	2,10	25	250
R178CX018	16x16	2,10	50	250



Adaptador compacto para tubo de cobre en instalaciones hidráulicas. Conforme a la norma EN 1254-2. Elemento de estanqueidad en goma conforme a la norma EN681-1. Rango de temperatura: 5÷110 °C. Presión máxima de trabajo: 10 bar

T178C

CÓDIGO	MEDIDA	€/ud	□	⊞
T178CX012	16x10	3,60	1	30
T178CX013	16x12	3,60	1	30
T178CX015	16x14	3,60	1	15
T178CX016	16x15	3,60	1	15
T178CX018	16x16	3,60	1	15



Adaptador cromado pulido para tubo de cobre en instalaciones hidráulicas. Conforme a la norma EN 1254-2.

Junta tórica negra conforme a la norma EN681-1. Rango de temperatura: 5÷110 °C. Presión máxima de trabajo: 10 bar

NOTAS

ATENCIÓN! Se recomienda no apretar más de 1/8 de vuelta con la llave, una vez apretada la tuerca a tope con la mano.

Un apriete excesivo de la tuerca puede dañar los componentes de la unión.

R180M

CÓDIGO	MEDIDA	€/ud	□	⊞
R180MY101	3/8" x6	3,65	25	250
R180MY102	3/8" x8	2,10	25	250
R180MY103	3/8" x10	2,10	25	250
R180MY104	3/8" x12	2,30	25	250
R180MY105	3/8" x14	2,45	25	250
R180MY106	3/8" x15	2,70	25	250
R180MY107	3/8" x16	2,85	25	250
R180MY110	1/2" x8	3,85	25	250
R180MY111	1/2" x10	2,50	25	250
R180MY112	1/2" x12	2,60	25	250
R180MY113	1/2" x14	2,60	25	250
R180MY114	1/2" x15	2,60	25	250
R180MY115	1/2" x16	2,60	25	250
R180MY116	1/2" x18	2,90	25	250
R180MY120	3/4" x16	3,75	25	250
R180MY121	3/4" x18	4,75	10	100
R180MY122	3/4" x20	4,75	10	100
R180MY123	3/4" x22	4,80	10	100
R180MY128	1" x28	6,95	10	100



Racor recto rosca macho para tubo de cobre. Conforme a la norma EN 1254-2. Se suministra con dos juntas tóricas.
Junta tórica negra (Instalación hidráulica) conforme a norma EN681-1.
Junta tórica amarilla (Instalación de gas e hidrocarburos líquidos) conforme a norma EN682-EN549.
Rango de temperatura:
5÷110 °C (Instalación hidráulica).
5÷90 °C (Instalación de gas e hidrocarburos líquidos).
Presión máxima de trabajo:
10 bar (Instalación hidráulica).
5 bar (Instalación de gas e hidrocarburos líquidos).

NOTAS

ATENCIÓN! Se recomienda no apretar más de 1/8 de vuelta con la llave, una vez apretada la tuerca a tope con la mano.
Un apriete excesivo de la tuerca puede dañar los componentes de la unión.

R180F

CÓDIGO	MEDIDA	€/ud	□	⊞
R180FY102	3/8" x8	2,45	25	250
R180FY103	3/8" x10	1,95	25	250
R180FY104	3/8" x12	2,25	25	250
R180FY105	3/8" x14	2,45	25	250
R180FY111	1/2" x10	2,40	25	250
R180FY112	1/2" x12	2,50	25	250
R180FY113	1/2" x14	2,60	25	250
R180FY114	1/2" x15	2,65	25	250
R180FY115	1/2" x16	2,75	25	250
R180FY116	1/2" x18	2,75	25	250
R180FY120	3/4" x16	4,00	25	250
R180FY121	3/4" x18	4,00	25	250
R180FY123	3/4" x22	4,05	10	100
R180FY128	1" x28	6,80	10	100
R180FY135	1 1/4" x35 *	10,50	5	50



Racor recto rosca hembra para tubo de cobre. Conforme a la norma EN 1254-2. Se suministra con dos juntas tóricas.
Junta tórica negra (Instalación hidráulica) conforme a norma EN681-1.
Junta tórica amarilla (Instalación de gas e hidrocarburos líquidos) conforme a norma EN682-EN549.
Rango de temperatura:
5÷110 °C (Instalación hidráulica).
5÷90 °C (Instalación de gas e hidrocarburos líquidos).
Presión máxima de trabajo:
10 bar (Instalación hidráulica).
5 bar (Instalación de gas e hidrocarburos líquidos).

NOTAS

ATENCIÓN! Se recomienda no apretar más de 1/8 de vuelta con la llave, una vez apretada la tuerca a tope con la mano.
Un apriete excesivo de la tuerca puede dañar los componentes de la unión.

INFORMACION

* Disponible hasta fin de existencias.

> SISTEMA ADAPTADOR PARA COBRE - ACCESORIOS

R560

CÓDIGO	MEDIDA	€/ud	□	▣
R560Y002	Ø8	3,85	25	250
R560Y003	Ø10	3,60	25	250
R560Y004	Ø12	3,85	20	200
R560Y005	Ø14	3,85	20	200
R560Y006	Ø15	4,00	20	200
R560Y007	Ø16	4,15	20	200
R560Y008	Ø18	4,50	25	250
R560Y009	Ø22	6,60	10	100
R560Y010	Ø28	9,40	10	100
R560Y011	Ø35 *	13,50	5	50



Manguito recto para tubo de cobre en instalaciones hidráulicas. Conforme a la norma EN 1254-2.

Junta tórica negra conforme a la norma EN681-1.

Rango de temperatura: 5÷110 °C

Presión máxima de trabajo: 10 bar

NOTAS

ATENCIÓN! Se recomienda no apretar más de 1/8 de vuelta con la llave, una vez apretada la tuerca a tope con la mano.

Un apriete excesivo de la tuerca puede dañar los componentes de la unión.

INFORMACION

* Disponible hasta fin de existencias.

R562

CÓDIGO	MEDIDA	€/ud	□	▣
R562Y102	3/8" x8	2,25	25	250
R562Y103	3/8" x10	2,20	25	250
R562Y104	3/8" x12	2,60	25	250
R562Y105	3/8" x14	2,80	25	250
R562Y111	1/2" x10	2,80	25	250
R562Y112	1/2" x12	2,80	25	250
R562Y113	1/2" x14	3,10	25	250
R562Y114	1/2" x15	3,25	25	250
R562Y115	1/2" x16	3,25	25	250
R562Y116	1/2" x18	3,70	10	100
R562Y121	3/4" x18	4,00	10	100
R562Y123	3/4" x22	5,40	10	100
R562Y128	1" x28	8,20	10	100
R562Y135	1 1/4" x35 *	11,80	5	50



Racor curvo rosca macho para tubo de cobre. Conforme a la norma EN 1254-2. Se suministra con dos juntas tóricas.

Junta tórica negra (Instalación hidráulica) conforme a norma EN681-1.

Junta tórica amarilla (Instalación de gas e hidrocarburos líquidos) conforme a norma EN682-EN549.

Rango de temperatura:

5÷110 °C (Instalación hidráulica).

5÷90 °C (Instalación de gas e hidrocarburos líquidos).

Presión máxima de trabajo:

10 bar (Instalación hidráulica).

5 bar (Instalación de gas e hidrocarburos líquidos).

NOTAS

ATENCIÓN! Se recomienda no apretar más de 1/8 de vuelta con la llave, una vez apretada la tuerca a tope con la mano.

Un apriete excesivo de la tuerca puede dañar los componentes de la unión.

INFORMACION

* Disponible hasta fin de existencias.

R561

CÓDIGO	MEDIDA	€/ud	□	▣
R561Y003	Ø10	2,95	25	250
R561Y004	Ø12	3,70	20	200
R561Y005	Ø14	4,25	20	200
R561Y006	Ø15	4,20	20	200
R561Y007	Ø16	4,30	20	200
R561Y008	Ø18	4,80	10	100
R561Y009	Ø22	6,85	10	100
R561Y010	Ø28	9,70	10	50
R561Y011	Ø35 *	13,85	5	50



Codo 90° para tubo de cobre en instalaciones hidráulicas. Conforme a la norma EN 1254-2.

Junta tórica negra conforme a la norma EN681-1.

Rango de temperatura: 5÷110 °C

Presión máxima de trabajo: 10 bar

NOTAS

ATENCIÓN! Se recomienda no apretar más de 1/8 de vuelta con la llave, una vez apretada la tuerca a tope con la mano.

Un apriete excesivo de la tuerca puede dañar los componentes de la unión.

INFORMACION

* Disponible hasta fin de existencias.

R563

CÓDIGO	MEDIDA	€/ud	□	▣
R563Y103	3/8" x10	2,60	25	250
R563Y104	3/8" x12	2,85	25	250
R563Y105	3/8" x14	2,95	25	250
R563Y111	1/2" x10	3,00	25	250
R563Y112	1/2" x12	3,20	25	250
R563Y113	1/2" x14	3,25	25	250
R563Y114	1/2" x15	3,40	25	250
R563Y115	1/2" x16	3,55	25	250
R563Y116	1/2" x18	3,70	10	100
R563Y121	3/4" x18	4,25	10	100
R563Y123	3/4" x22	5,65	10	100
R563Y128	1" x28	8,40	5	50
R563Y135	1 1/4" x35 *	13,00	5	50



Racor curvo rosca hembra para tubo de cobre. Conforme a la norma EN 1254-2. Se suministra con dos juntas tóricas.

Junta tórica negra (Instalación hidráulica) conforme a norma EN681-1.

Junta tórica amarilla (Instalación de gas e hidrocarburos líquidos) conforme a norma EN682-EN549.

Rango de temperatura:

5÷110 °C (Instalación hidráulica).

5÷90 °C (Instalación de gas e hidrocarburos líquidos).

Presión máxima de trabajo:

10 bar (Instalación hidráulica).

5 bar (Instalación de gas e hidrocarburos líquidos).

NOTAS

ATENCIÓN! Se recomienda no apretar más de 1/8 de vuelta con la llave, una vez apretada la tuerca a tope con la mano.

Un apriete excesivo de la tuerca puede dañar los componentes de la unión.

INFORMACION

* Disponible hasta fin de existencias.

R564

CÓDIGO	MEDIDA	€/ud	□	▣
R564Y002	Ø8	4,10	25	250
R564Y003	Ø10	4,10	25	250
R564Y004	Ø12	4,80	10	100
R564Y005	Ø14	5,25	10	100
R564Y006	Ø15	5,55	10	100
R564Y007	Ø16	5,75	10	100
R564Y008	Ø18	6,50	10	100
R564Y009	Ø22	9,70	10	100
R564Y010	Ø28	13,45	5	50
R564Y011	Ø35 *	17,80	5	25



Te para tubo de cobre en instalaciones hidráulicas. Conforme a la norma EN 1254-2. Junta tórica negra conforme a la norma EN681-1.

Rango de temperatura: 5÷110 °C
Presión máxima de trabajo: 10 bar

NOTAS

ATENCIÓN! Se recomienda no apretar más de 1/8 de vuelta con la llave, una vez apretada la tuerca a tope con la mano. Un apriete excesivo de la tuerca puede dañar los componentes de la unión.

INFORMACION

* Disponible hasta fin de existencias.

R568

CÓDIGO	MEDIDA	€/ud	□	▣
R568Y112	1/2" x12 *	4,45	10	100
R568Y115	1/2" x16	4,90	10	100
R568Y116	1/2" x18	5,35	10	100
R568Y121	3/4" x18	5,75	10	100
R568Y123	3/4" x22	8,80	10	100
R568Y128	1" x28	12,35	5	50



Racor en Te para tubo de cobre con conexión central rosca macho. Conforme a la norma EN 1254-2. Se suministra con dos juntas tóricas. Junta tórica negra (Instalación hidráulica) conforme a norma EN681-1. Junta tórica amarilla (Instalación de gas e hidrocarburos líquidos) conforme a norma EN682-EN549.

Rango de temperatura:
5÷110 °C (Instalación hidráulica).
5÷90 °C (Instalación de gas e hidrocarburos líquidos).
Presión máxima de trabajo:
10 bar (Instalación hidráulica).
5 bar (Instalación de gas e hidrocarburos líquidos).

NOTAS

ATENCIÓN! Se recomienda no apretar más de 1/8 de vuelta con la llave, una vez apretada la tuerca a tope con la mano. Un apriete excesivo de la tuerca puede dañar los componentes de la unión.

INFORMACION

* Disponible hasta fin de existencias.

R569

CÓDIGO	MEDIDA	€/ud	□	▣
R569Y103	3/8" x10	3,70	25	250
R569Y104	3/8" x12	4,35	25	250
R569Y105	3/8" x14	4,60	25	250
R569Y112	1/2" x12	4,80	10	100
R569Y113	1/2" x14	4,95	10	100
R569Y114	1/2" x15	5,95	10	100
R569Y115	1/2" x16	5,40	10	100
R569Y116	1/2" x18	5,50	10	100
R569Y121	3/4" x18	6,55	10	100
R569Y123	3/4" x22	8,60	10	100
R569Y128	1" x28	12,70	5	50



Racor en Te para tubo de cobre con conexión central rosca hembra. Conforme a la norma EN 1254-2. Se suministra con dos juntas tóricas. Junta tórica negra (Instalación hidráulica) conforme a norma EN681-1.

Junta tórica amarilla (Instalación de gas e hidrocarburos líquidos) conforme a norma EN682-EN549.

Rango de temperatura:
5÷110 °C (Instalación hidráulica).
5÷90 °C (Instalación de gas e hidrocarburos líquidos).
Presión máxima de trabajo:
10 bar (Instalación hidráulica).
5 bar (Instalación de gas e hidrocarburos líquidos).

NOTAS

ATENCIÓN! Se recomienda no apretar más de 1/8 de vuelta con la llave, una vez apretada la tuerca a tope con la mano. Un apriete excesivo de la tuerca puede dañar los componentes de la unión.

R572

CÓDIGO	MEDIDA	€/ud	□	▣
R572Y112	1/2" x12	5,15	10	100
R572Y113	1/2" x14	5,15	10	100
R572Y114	1/2" x15	5,15	10	100
R572Y115	1/2" x16	5,15	10	100
R572Y116	1/2" x18	6,25	10	100



Racor curvo rosca hembra con placa de sujeción a pared, para tubo de cobre. Conforme a la norma EN 1254-2. Se suministra con dos juntas tóricas. Junta tórica negra (Instalación hidráulica) conforme a norma EN681-1. Junta tórica amarilla (Instalación de gas e hidrocarburos líquidos) conforme a norma EN682-EN549.

Rango de temperatura:
5÷110 °C (Instalación hidráulica).
5÷90 °C (Instalación de gas e hidrocarburos líquidos).
Presión máxima de trabajo:
10 bar (Instalación hidráulica).
5 bar (Instalación de gas e hidrocarburos líquidos).

NOTAS

ATENCIÓN! Se recomienda no apretar más de 1/8 de vuelta con la llave, una vez apretada la tuerca a tope con la mano. Un apriete excesivo de la tuerca puede dañar los componentes de la unión.

R180R

CROMADO

CÓDIGO	MEDIDA	€/ud	□	⊞
R180RX015	1/2" x16	1,65	50	500
R180RX016	1/2" x18	1,70	25	250
R180RX021	3/4" x18	2,10	1	250
R180RX023	3/4" x22	2,60	1	250

NO CROMADO

CÓDIGO	MEDIDA	€/ud	□	⊞
R180RY007	3/8" x16	1,49	50	500
R180RY015	1/2" x16	1,30	50	500
R180RY016	1/2" x18	1,49	25	250
R180RY020	3/4" x16	1,80	25	250
R180RY021	3/4" x18	1,85	25	250
R180RY023	3/4" x22	2,50	25	250
R180RY027	1" x22	3,35	20	200
R180RY028	1" x28	4,40	10	100
R180RY034	1" 1/4x28	4,80	10	100

Racor recto macho, en latón, para adaptadores de tubo de cobre, plástico o multicapa.



R180FR

CROMADO

CÓDIGO	MEDIDA	€/ud	□	⊞
R180RX055	1/2" x16	1,65	50	500
R180RX056	1/2" x18	1,95	50	500

NO CROMADO

CÓDIGO	MEDIDA	€/ud	□	⊞
R180RY055	1/2" x16	1,25	50	500
R180RY056	1/2" x18	1,50	50	500
R180RY060	3/4" x16	1,80	25	250
R180RY061	3/4" x18	1,85	25	250
R180RY063	3/4" x22	2,30	25	250
R180RY068	1" x28	4,90	10	100

Racor recto hembra, en latón, para adaptadores de tubo de cobre, plástico o multicapa.



R560R

CROMADO

CÓDIGO	MEDIDA	€/ud	□	⊞
R560RX007	base 16	1,85	25	250
R560RX008	base 18	2,05	25	250

NO CROMADO

CÓDIGO	MEDIDA	€/ud	□	⊞
R560RY007	base 16	1,60	25	250
R560RY008	base 18	1,90	25	250
R560RY009	base 22	3,05	20	200
R560RY010	base 28	5,00	10	100

Manguito recto, en latón, para adaptadores de tubo de cobre, plástico o multicapa.



R561R

CROMADO

CÓDIGO	MEDIDA	€/ud	□	⊞
R561RX007	base 16	2,30	25	250
R561RX008	base 18	2,60	25	250

NO CROMADO

CÓDIGO	MEDIDA	€/ud	□	⊞
R561RY007	base 16	1,95	25	250
R561RY008	base 18	2,15	25	250
R561RY009	base 22	3,35	10	100
R561RY010	base 28	5,15	10	100

Codo 90° para adaptadores de tubo de cobre, plástico o multicapa.



R562R

CROMADO

CÓDIGO	MEDIDA	€/ud	□	⊞
R562RX015	1/2" x16	2,45	25	250
R562RX016	1/2" x18	2,65	25	250

NO CROMADO

CÓDIGO	MEDIDA	€/ud	□	⊞
R562RY015	1/2" x16	2,05	25	250
R562RY016	1/2" x18	2,25	25	250
R562RY021	3/4" x18	2,55	25	250
R562RY023	3/4" x22	3,15	10	100
R562RY027	1" x22	3,65	10	100
R562RY028	1" x28	4,90	10	100
R562RY034	1" 1/4x28	5,80	10	100

Racor curvo 90° rosca macho para adaptadores de tubo de cobre, plástico o multicapa.



R563R

CROMADO

CÓDIGO	MEDIDA	€/ud	□	⊞
R563RX015	1/2" x16	2,70	25	250
R563RX016	1/2" x18	3,00	25	250

NO CROMADO

CÓDIGO	MEDIDA	€/ud	□	⊞
R563RY015	1/2" x16	2,20	25	250
R563RY016	1/2" x18	2,30	25	250
R563RY021	3/4" x18	2,80	25	250
R563RY023	3/4" x22	3,30	10	100
R563RY028	1" x28	5,40	10	100

Racor curvo 90° rosca hembra para adaptadores de tubo de cobre, plástico o multicapa.



R572R

CROMADO

CÓDIGO	MEDIDA	€/ud	□	⊞
R572RX002	1/2" x16	3,70	10	100

NO CROMADO

CÓDIGO	MEDIDA	€/ud	□	⊞
R572RY002	1/2" x16	3,70	10	100
R572RY003	1/2" x18	3,70	10	100

Racor curvo 90° rosca hembra con placa de sujeción a pared con conexión para adaptadores de tubo de cobre, plástico o multicapa.



R564R

CROMADO

CÓDIGO	MEDIDA	€/ud	□	⊞
R564RX007	base 16	2,80	25	250
R564RX008	base 18	3,25	25	250

NO CROMADO

CÓDIGO	MEDIDA	€/ud	□	⊞
R564RY007	base 16	2,40	25	250
R564RY008	base 18	3,25	25	250
R564RY009	base 22	4,15	10	100
R564RY010	base 28	7,65	5	50

Te con conexión para adaptadores de tubo de cobre, plástico o multicapa.



R568R

CÓDIGO	MEDIDA	€/ud	□	⊞
R568RY015	16x1/2" x16	2,45	25	250
R568RY016	18x1/2" x18	2,70	25	250
R568RY021	18x3/4" x18	3,10	10	100
R568RY023	22x3/4" x22	4,25	10	100
R568RY028	28x1" x28	7,40	5	50

Te con rosca macho en conexión central. Conexión para adaptadores de tubo de cobre, plástico o multicapa.



R569R

CÓDIGO	MEDIDA	€/ud	□	⊞
R569RY015	16x1/2" x16	2,60	25	250
R569RY016	18x1/2" x18	3,05	25	250
R569RY021	18x3/4" x18	3,85	10	100
R569RY023	22x3/4" x22	4,60	10	100
R569RY028	28x1" x28	7,70	5	50

Te con rosca hembra en conexión central.
Conexión para adaptadores de tubo de cobre, plástico o multicapa.



R570R

CÓDIGO	MEDIDA	€/ud	□	⊞
R570RY015	16x16x1/2	2,70	25	250
R570RY016	18x18x1/2"	2,80	25	250
R570RY021	18x18x3/4"	3,15	10	100
R570RY023	22x22x3/4"	4,20	10	100
R570RY028	28x28x1"	7,45	5	50

Te con rosca macho en conexión lateral.
Conexión para adaptadores de tubo de cobre, plástico o multicapa.



R571R

CÓDIGO	MEDIDA	€/ud	□	⊞
R571RY015	16x16x1/2"	2,80	25	250
R571RY016	18x18x1/2"	3,05	20	200
R571RY021	18x18x3/4"	3,50	10	100

Te con rosca hembra en conexión lateral.
Conexión para adaptadores de tubo de cobre, plástico o multicapa.



R18

CROMADAS

CÓDIGO	MEDIDA	€/ud	□	⊞
R18X002	3/8"	3,20	20	200
R18X003	1/2"	3,90	10	100
R18X004	3/4"	6,30	10	100
R18X005	1"	9,00	5	50
R18X006	1" 1/4	13,75	5	50
R18X007	1" 1/2	30,10	2	20
R18X008	2"	42,10	2	10

NO CROMADAS

CÓDIGO	MEDIDA	€/ud	□	⊞
R18Y002	3/8"	2,95	20	200
R18Y003	1/2"	3,35	10	100
R18Y004	3/4"	5,45	10	100
R18Y005	1"	8,00	5	50
R18Y006	1" 1/4	12,50	5	50
R18Y007	1" 1/2	28,55	2	20
R18Y008	2"	36,45	2	10

Racor recto 3 piezas H-M con junta cónica en unión intermedia. Válido para instalaciones hidráulicas e instalaciones solares térmicas.
Rango de temperatura 5 ÷ 160 °C (hasta 1 1/4"), 5 ÷ 110 °C (1 1/2" y 2").
Presión máxima de trabajo 10bar.



R18SP

CÓDIGO	MEDIDA	€/ud	□	⊞
R18SPY005	1"	11,05	5	50
R18SPY006	1 1/4"	18,10	5	25
R18SPY007	1 1/2"	37,75	2	20
R18SPY008	2"	51,85	2	10

Racor recto 3 piezas H-M con junta plana en unión intermedia. Válido para instalaciones hidráulicas.

Rango de temperatura 5 ÷ 110 °C.
Presión máxima de trabajo 10bar.



R20

CÓDIGO	MEDIDA	€/ud	□	⊞
R20Y004	3/4" x3/4"	5,75	10	100

Racor recto 3 piezas M-M con junta cónica en unión intermedia. Válido para instalaciones hidráulicas.

Rango de temperatura 5 ÷ 110 °C.
Presión máxima de trabajo 10bar.



R19

CROMADAS

CÓDIGO	MEDIDA	€/ud	□	⊞
R19X002	3/8"	3,65	10	100
R19X003	1/2"	4,55	10	100
R19X004	3/4"	7,15	5	50
R19X005	1"	11,05	5	50
R19X006	1" 1/4	18,75	2	20
R19X007	1" 1/2	38,90	2	20
R19X008	2"	50,20	2	12

NO CROMADAS

CÓDIGO	MEDIDA	€/ud	□	⊞
R19Y002	3/8"	3,50	10	100
R19Y003	1/2"	4,30	10	100
R19Y004	3/4"	7,15	5	50
R19Y005	1"	10,50	5	50
R19Y006	1" 1/4	17,65	2	20
R19Y007	1" 1/2	35,35	2	20
R19Y008	2"	44,40	2	12

Racor curvo 3 piezas H-M con junta cónica en unión intermedia. Válido para instalaciones hidráulicas e instalaciones solares térmicas.
Rango de temperatura 5 ÷ 160 °C (hasta 1 1/4"), 5 ÷ 110 °C (1 1/2" y 2").
Presión máxima de trabajo 10bar.



R178R

CROMADAS

CÓDIGO	MEDIDA	€/ud	□	⊞
R178RX011	16x18	3,25	1	250
R178RX012	18x22	4,45	1	250

NO CROMADAS

CÓDIGO	MEDIDA	€/ud	□	⊞
R178RY011	16x18	3,25	1	250
R178RY012	18x22	4,30	1	250

Racor recto para aumentar la base de adaptador de tubo de cobre, plástico o multicapa.



R177

CÓDIGO	MEDIDA	€/ud	□	⊞
R177X010	16x1/2"	4,40	25	250

Racor para transformar "base para adaptador" a conexión a "tubo de hierro", en latón cromado.



T177

CÓDIGO	MEDIDA	€/ud	□	⊞
T177X010	16x1/2"	7,85	1	25

Racor para transformar "base para adaptador" a conexión a "tubo de hierro", en latón. Acabado cromado pulido.



R176P

CÓDIGO	MEDIDA	€/ud	☐	☒
R176PX003	16x16	3,60	25	250
R176PX004	18x18	4,10	25	250

Racor prolongador base adaptador, acabado cromado, con tuerca loca. Conexión para adaptador de tubo de cobre, plástico o multicapa.

Longitud 30mm.

Rango de temperatura 5 ÷ 110 °C.

Presión máxima de trabajo 10bar.



R541N

CÓDIGO	MEDIDA	€/ud	☐	☒
R541NX001	1/2" x16	10,55	10	100

Tubo de cobre en acabado cromado pulido, con conexión 1/2"M con autojunta. Longitud 120mm.



R567

CÓDIGO	MEDIDA	€/ud	☐	☒
R567Y016	18x1/2"	1,85	50	500

Racor para conversión de "base adaptador" a conexión "tubo de hierro". En latón.



R578C

CÓDIGO	MEDIDA	€/ud	☐	☒
R578CY001	-	14,20	1	50
R578CY002	-	4,10	1	70

Soporte metálico para codos terminales.

R578CY001: Para pared de cartón yeso.

R578CY002: Para pared de obra.



R573D-1

CÓDIGO	MEDIDA	€/ud	☐	☒
R573DY102	1/2" x16	10,00	5	50

Codo terminal hembra plastificado con conexión enrasada a pared. Conexión con adaptador para tubo de cobre, plástico o multicapa.

Posibilidad de utilizar el tubo de cobre R541N.

Para distribución de fontanería desmontable.

Rango de temperatura 5 ÷ 110 °C.

Presión máxima de trabajo 10bar.



R577D

CÓDIGO	MEDIDA	€/ud	☐	☒
R577DY001	1/2"	1,85	10	100

Tapón de plástico para prueba de presión en codo terminal.



R573D

CÓDIGO	MEDIDA	€/ud	☐	☒
R573DY002	1/2" x16	9,55	1	-
R573DY003	1/2" x18	9,60	1	-

Codo terminal hembra plastificado con conexión saliente de pared. Conexión con adaptador para tubo de cobre, plástico o multicapa.

Posibilidad de utilizar el tubo de cobre R541N.

Para distribución de fontanería desmontable.

Rango de temperatura 5 ÷ 110 °C.

Presión máxima de trabajo 10bar.



R544

CÓDIGO	MEDIDA	€/ud	☐	☒
R544Y002	1/2" x16	25,00	1	-
R544Y003	1/2" x18	25,35	1	-

Codo terminal hembra plastificado con conexión saliente de pared. Doble conexión a tubería para sistema antilegionela. Conexión con adaptador para tubo de cobre, plástico o multicapa.

Posibilidad de utilizar el tubo de cobre R541N.

Para distribución de fontanería desmontable.

Rango de temperatura 5 ÷ 110 °C.

Presión máxima de trabajo 10bar.



> SISTEMA ADAPTADOR PARA COBRE - COLECTORES

R580C

SALIDAS 1/2" O 3/4"E

CÓDIGO	MEDIDA	€/ud	☐	☒
R580CY062	3/4"x1/2"E/2	12,30	1	50
R580CY063	3/4"x1/2"E/3	16,55	1	50
R580CY064	3/4"x1/2"E/4	22,50	1	50
R580CY052	1"x3/4"E/2	17,90	1	50
R580CY053	1"x3/4"E/3	26,60	1	50
R580CY054	1"x3/4"E/4	35,25	1	30

SALIDAS BASE 16

CÓDIGO	MEDIDA	€/ud	☐	☒
R580CY022	3/4"x16/2	10,25	1	50
R580CY023	3/4"x16/3	14,30	1	50
R580CY024	3/4"x16/4	17,25	1	50
R580CY042	1"x16/2	15,55	1	50
R580CY043	1"x16/3	20,30	1	50
R580CY044	1"x16/4	24,75	1	30



Colector componible simple, en latón. Conexión a adaptador para tubo de cobre, plástico o multicapa.
Rango de temperatura 5 ÷ 110 °C.
Presión máxima de trabajo 10bar.

NOTAS

Colector 3/4" x 1/2": separación entre salidas 35mm.
Colector 1" x 3/4"E: separación entre salidas 40mm.
Colector 3/4" x 16 y 1" x 16: separación entre salidas 35mm.

Con los colectores R580CY062, R580CY063, R580CY064 (Ø asiento adaptador 16 mm) se pueden utilizar únicamente los adaptadores R179EY052, R179EY055, R179EY056, R179EY058, RM179Y113, RM179Y116, R178EY121, R178EY122, R178EY123, R178EY124, R178EY125.

Con los colectores R580CY052, R580CY053, R580CY054 se pueden utilizar únicamente los adaptadores R179EX021, R179EX022, R179EX023, R179EX024, R179EX025, R179E X026, R179EX027, R179EY028, RM179X103, RM179X106, R178EX112, R178EX113, R178EX104, R178EX115, R178EX116.

Con los colectores base 16 utilizar los adaptadores R178, R179 o R179AM.

R585C

SALIDAS 1/2"

CÓDIGO	MEDIDA	€/ud	☐	☒
R585CY062	3/4"x1/2"E/2	29,05	1	20
R585CY063	3/4"x1/2"E/3	39,95	1	20
R585CY064	3/4"x1/2"E/4	51,65	1	20

SALIDAS BASE 16

CÓDIGO	MEDIDA	€/ud	☐	☒
R585CY022	3/4"x16/2	28,45	1	20
R585CY023	3/4"x16/3	39,90	1	20
R585CY024	3/4"x16/4	50,30	1	20
R585CY042	1"x16/2	37,70	1	20
R585CY043	1"x16/3	51,80	1	20
R585CY044	1"x16/4	66,50	1	20



Colector componible simple, en latón, con válvula de corte por circuito. Conexión a adaptador para tubo de cobre, plástico o multicapa.
Rango de temperatura 5 ÷ 110 °C.
Presión máxima de trabajo 10bar.

NOTAS

Colector 3/4" x 1/2": separación entre salidas 35mm.
Colector 3/4" x 16 y 1" x 16: separación entre salidas 50mm.

Con los colectores R585CY062, R585CY063, R585CY064 (Ø asiento adaptador 16 mm) se pueden utilizar únicamente los adaptadores R179EY052, R179EY055, R179EY056, R179EY058, RM179Y113, RM179Y116, R178EY121, R178EY122, R178EY123, R178EY124, R178EY125.

Con los colectores base 16 utilizar los adaptadores R178, R179 o R179AM.

R580

CÓDIGO	MEDIDA	€/ud	☐	☒
R580Y022	3/4"x16/2	13,65	1	10
R580Y023	3/4"x16/3	18,85	1	10
R580Y024	3/4"x16/4	24,35	1	10
R580Y025	3/4"x16/5	29,50	1	5
R580Y026	3/4"x16/6	34,35	1	5
R580Y027	3/4"x16/7	40,80	1	10
R580Y028	3/4"x16/8	46,80	1	10
R580Y029	3/4"x16/9	53,30	1	10
R580Y030	3/4"x16/10	58,40	1	10
R580Y062	1"x16/2	16,75	1	15
R580Y063	1"x16/3	23,65	1	10
R580Y064	1"x16/4	29,85	1	10
R580Y065	1"x16/5	36,50	1	5
R580Y066	1"x16/6	44,10	1	5
R580Y067	1"x16/7	50,15	1	5
R580Y068	1"x16/8	57,65	1	5
R580Y069	1"x16/9	64,55	1	5
R580Y070	1"x16/10	71,55	1	5
R580Y071	1"x16/11	86,05	1	5



Colector de distribución, en latón, con conexión para adaptador de tubo de cobre, plástico o multicapa.
Rango de temperatura 5 ÷ 110 °C.
Presión máxima de trabajo 16bar.

NOTAS

Separación entre salidas: 35mm

Conexión de tubería con adaptadores R178, R179 o R179AM.

R585

CÓDIGO	MEDIDA	€/ud	☐	☒
R585Y022	3/4"x16/2	18,00	1	10
R585Y023	3/4"x16/3	25,00	1	10
R585Y024	3/4"x16/4	32,35	1	10
R585Y025	3/4"x16/5	39,75	1	5
R585Y026	3/4"x16/6	47,20	1	5
R585Y027	3/4"x16/7	54,40	1	10
R585Y028	3/4"x16/8	61,70	1	10
R585Y029	3/4"x16/9	71,90	1	10
R585Y030	3/4"x16/10	79,70	1	10
R585Y042	1"x16/2	22,90	1	15
R585Y043	1"x16/3	32,50	1	10
R585Y044	1"x16/4	39,85	1	10
R585Y045	1"x16/5	49,35	1	5
R585Y046	1"x16/6	62,80	1	5
R585Y047	1"x16/7	67,75	1	5
R585Y048	1"x16/8	77,85	1	5
R585Y049	1"x16/9	87,20	1	5
R585Y050	1"x16/10	96,80	1	5



Colector de distribución en latón con detentor y conexión para adaptador de tubo de cobre, plástico o multicapa.

Rango de temperatura 5 ÷ 110 °C.

Presión máxima de trabajo 10bar.

NOTAS

Separación entre salidas: 35mm

Conexión de tubería con adaptadores R178, R179 o R179AM.

R259D

ACABADO NO CROMADO

CÓDIGO	MEDIDA	€/ud	☐	☒
R259Y005	3/4"x3/4" - Palomilla roja	14,70	10	20
R259Y007	1"x1" - Palomilla roja	21,90	10	20

Válvula de esfera cromada con conexión hembra-macho, con enlace. Accionamiento por palomilla (azul o roja). Paso estándar. Válida para instalaciones hidráulicas.

Rango de temperatura -20 ÷ 185 °C.

NOTAS

Para versión no cromada: disponible con palomilla roja o azul.

Verificar la aplicación real de la válvula y las certificaciones de la misma consultando la documentación técnica específica.



R251D

PALOMILLA ROJA

CÓDIGO	MEDIDA	€/ud	☐	☒
R251X004	3/4"	10,40	5	50
R251X005	1"	15,00	5	25

Válvula de esfera cromada con conexión hembra-hembra. Accionamiento por palomilla (roja para agua y amarilla para gas e hidrocarburos líquidos). Paso estándar.

Rango de temperatura -20 ÷ 185 °C.

NOTAS

Verificar la aplicación real de la válvula y las certificaciones de la misma consultando la documentación técnica específica.



R592D

CROMADAS

CÓDIGO	MEDIDA	€/ud	☐	☒
R592DY004	3/4"	2,20	50	500
R592DY005	1"	2,65	25	250

Tapón terminal para colector, en latón, con autojunta.



R594

CÓDIGO	MEDIDA	€/ud	☐	☒
R594Y002	24/19 (base 16)	1,13	25	250
R594Y004	1"	2,45	25	250
R594Y005	3/4"	2,15	1	500

Tapa conexión hembra para colectores.



R584

CÓDIGO	MEDIDA	€/ud	☐	☒
R584Y101	332x272x86	34,20	1	-
R584Y102	412x272x86	38,00	1	-
R584Y103	512x272x86	51,75	1	-
R584Y104	612x272x86	61,55	1	-



Caja de plástico con tapa. Completa de Kit de sujeción de colectores.

Válida para colectores de 3/4" o 1" de la serie R580, R551, R580C, R585C, modulares DN25 y R587B.

> SISTEMA ADAPTADOR PARA COBRE - HERRAMIENTAS

R131

CÓDIGO	MEDIDA	€/ud	□	⊞
R131Y003	27/29	27,60	1	-
R131Y004	29/30	34,10	1	-

Llave fija para adaptadores.

NOTAS

Llave de 27 para base 16.
Llave de 29 para base 18.



> SISTEMA ADAPTADOR PARA COBRE - RECAMBIOS

P18R

CÓDIGO	MEDIDA	€/ud	□	⊞
P18RX002	Ø10	1,01	1	-
P18RX003	Ø12	1,03	1	-
P18RX004	Ø14	1,01	1	-
P18RX005	Ø15	1,01	1	-
P18RX006	Ø16	1,01	1	-
P18RX007	Ø18	1,01	1	-
P18RX008	Ø22	1,21	1	-

Tuerca cromada para adaptador de tubo de cobre R178.



P51RN

CÓDIGO	MEDIDA	€/ud	□	⊞
P51RNY000	Ø6	0,26	1	-
P51RNY001	Ø8	0,26	1	-
P51RNY002	Ø10	0,36	1	-
P51RNY003	Ø12	0,33	1	-
P51RNY004	Ø14	0,36	1	-
P51RNY005	Ø15	0,36	1	-
P51RNY006	Ø16	0,36	1	-
P51RNY007	Ø18	0,36	1	-
P51RNY008	Ø20	0,49	1	-
P51RNY009	Ø22	0,47	1	-
P51RNY010	Ø28	0,82	1	-
P51RNY011	Ø35	1,55	1	-



Junta tórica negra conforme a la norma EN681-1.

Para tubo de cobre.

Utilizar en instalación hidráulica.

P61R

CÓDIGO	MEDIDA	€/ud	□	⊞
P61RY001	Ø8	0,26	1	-
P61RY002	Ø10	0,26	1	-
P61RY003	Ø12	0,30	1	-
P61RY004	Ø14	0,26	1	-
P61RY005	Ø15	0,26	1	-
P61RY006	Ø16	0,26	1	-
P61RY007	Ø18	0,30	1	-
P61RY008	Ø22	0,26	1	-
P61RY009	D.20	0,56	1	-
P61RY010	D.28	1,80	1	-
P61RY011	D.35	2,00	1	-

Monocono para adaptador de tubo de cobre R178.



P51RG

CÓDIGO	MEDIDA	€/ud	□	⊞
P51RGY001	Ø8	0,43	1	-
P51RGY002	Ø10	0,43	1	-
P51RGY003	Ø12	0,54	1	-
P51RGY004	Ø14	0,62	1	-
P51RGY005	Ø15	0,62	1	-
P51RGY006	Ø16	0,74	1	-
P51RGY007	Ø18	0,74	1	-
P51RGY008	Ø20	0,74	1	-
P51RGY009	Ø22	0,89	1	-
P51RGY010	Ø28	1,49	1	-
P51RGY011	Ø35	2,65	1	-

Junta tórica amarilla conforme a la norma EN 682.

Para tubo de cobre.

Utilizar en instalaciones de distribución de gas e hidrocarburos líquidos.



> COLECTORES PREMONTADOS

R553FK

CÓDIGO	MEDIDA	€/ud	☐	☒
R553FK022	1"x18 /2	190,05	1	-
R553FK023	1"x18 /3	222,20	1	-
R553FK024	1"x18 /4	255,60	1	-
R553FK025	1"x18 /5	283,55	1	-
R553FK026	1"x18 /6	313,35	1	-
R553FK027	1"x18 /7	345,25	1	-
R553FK028	1"x18 /8	372,90	1	-
R553FK029	1"x18 /9	402,85	1	-
R553FK030	1"x18 /10	433,65	1	-
R553FK031	1"x18 /11	466,00	1	-
R553FK032	1"x18 /12	498,95	1	-



INFORMACION

Los soportes que incorpora el colector son compatibles únicamente con las cajas R500, R501 y R502 (profundidad 110mm).

Para utilizar la caja R500-2 (profundidad regulable 85÷130mm) sustituir los soportes del colector por los R588ZY001 (pedir por separado).

Kit de colector premontado y válvula multifunción para instalación de climatización. Caudalímetro por circuito (0,5÷5l/min). Conexión para tubo de cobre, plástico o multicapa.

Separación entre salidas de 50mm.

Rango de temperatura 5÷110°C.

Presión máxima de trabajo 10bar.

Formado por:

- 1 colector premontado R553F.
- 2 válvulas multifunción R269T con tapón terminal.

NOTAS

El control eléctrico todo/nada de los circuitos puede realizarse quitando los volantes manuales y montando los cabezales electrotermostáticos R473, R478 o R478M.

Para el equilibrado de circuitos utilizar la llave R558 o la llave R558N.

Para la conexión a tubo utilizar los adaptadores R178, R179 o R179AM.

R553DK

CÓDIGO	MEDIDA	€/ud	☐	☒
R553DK022	1"x18 /2	170,90	1	-
R553DK023	1"x18 /3	196,00	1	-
R553DK024	1"x18 /4	224,30	1	-
R553DK025	1"x18 /5	245,70	1	-
R553DK026	1"x18 /6	286,90	1	-
R553DK027	1"x18 /7	282,80	1	-
R553DK028	1"x18 /8	312,70	1	-
R553DK029	1"x18 /9	336,90	1	-
R553DK030	1"x18 /10	358,85	1	-
R553DK031	1"x18 /11	386,70	1	-
R553DK032	1"x18 /12	408,80	1	-



INFORMACION

Los soportes que incorpora el colector son compatibles únicamente con las cajas R500, R501 y R502 (profundidad 110mm).

Para utilizar la caja R500-2 (profundidad regulable 85÷130mm) sustituir los soportes del colector por los R588ZY001 (pedir por separado).

Kit de colector premontado y válvula multifunción para instalación de climatización. Conexión para tubo de cobre, plástico o multicapa.

Separación entre salidas de 50mm.

Rango de temperatura 5÷110°C.

Presión máxima de trabajo 10bar.

Formado por:

- 1 colector premontado R553D.
- 2 válvulas multifunción R269T con tapón terminal.

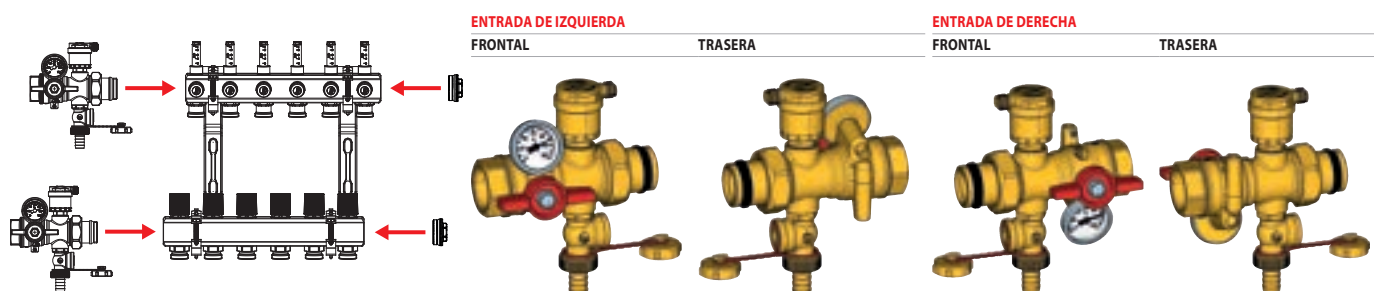
NOTAS

El control eléctrico todo/nada de los circuitos puede realizarse quitando los volantes manuales y montando los cabezales electrotermostáticos R473, R478 o R478M.

Para el equilibrado de circuitos utilizar la llave R558 o la llave R558N.

Para la conexión a tubo utilizar los adaptadores R178, R179 o R179AM.

Ejemplo de instalación kit colector



R553F

CÓDIGO	MEDIDA	€/ud	□	⊞
R553FY002	1"x18 /2	87,95	1	-
R553FY003	1"x18 /3	123,90	1	-
R553FY004	1"x18 /4	156,00	1	-
R553FY005	1"x18 /5	186,45	1	-
R553FY006	1"x18 /6	222,30	1	-
R553FY007	1"x18 /7	245,45	1	-
R553FY008	1"x18 /8	293,05	1	-
R553FY009	1"x18 /9	324,25	1	-
R553FY010	1"x18 /10	358,05	1	-
R553FY011	1"x18 /11	396,85	1	-
R553FY012	1"x18 /12	433,00	1	-
R553FY024	1 1/4"x18 /4	171,00	1	-
R553FY025	1" 1/4x18 /5	206,35	1	-
R553FY026	1" 1/4x18 /6	243,00	1	-
R553FY027	1" 1/4x18 /7	283,35	1	-
R553FY028	1" 1/4x18 /8	319,90	1	-
R553FY029	1" 1/4x18 /9	356,20	1	-
R553FY030	1" 1/4x18 /10	396,90	1	-
R553FY031	1" 1/4x18 /11	439,25	1	-
R553FY032	1" 1/4x18 /12	481,15	1	-



INFORMACION

Los soportes que incorpora el colector son compatibles únicamente con las cajas R500, R501 y R502 (profundidad 110mm).

Para utilizar la caja R500-2 (profundidad regulable 85÷130mm) sustituir los soportes del colector por los R588ZY001 (pedir por separado).

Colector premontado para instalación de climatización. Caudalímetro por circuito. Conexión para tubo de cobre, plástico o multicapa. Separación entre salidas de 50mm. Rango de temperatura 5÷110°C. Presión máxima de trabajo 10bar.

Formado por:

- 1 colector de impulsión con detentores frontales para equilibrado dotados de memoria mecánica y caudalímetros (0,5÷5l/min).
- 1 colector de retorno con válvulas de corte accionadas por volante manual. Posibilidad de instalar cabezales electrotérmicos.
- Soportes metálicos.
- Juego de adhesivos para identificación de circuitos.
- 1 llave para regulación de detentores, modelo R558.

NOTAS

El control eléctrico todo/nada de los circuitos puede realizarse quitando los volantes manuales y montando los cabezales electrotérmicos R473, R473, R478 o R478M.

Para el equilibrado de circuitos utilizar la llave R558 o la llave R558N.

Para la conexión a tubo utilizar los adaptadores R178, R179 o R179AM.

R553D

CÓDIGO	MEDIDA	€/ud	□	⊞
R553Y002	1"x18 /2	63,80	1	1
R553Y003	1"x18 /3	94,35	1	1
R553Y004	1"x18 /4	124,60	1	1
R553Y005	1"x18 /5	158,55	1	1
R553Y006	1"x18 /6	188,40	1	1
R553Y007	1"x18 /7	218,25	1	1
R553Y008	1"x18 /8	247,70	1	1
R553Y009	1"x18 /9	277,65	1	1
R553Y010	1"x18 /10	307,45	1	1
R553Y011	1"x18 /11	336,90	1	1
R553Y012	1"x18 /12	368,65	1	-
R553Y022	1" 1/4x18 /2	77,20	1	1
R553Y023	1" 1/4x18 /3	106,20	1	1
R553Y024	1" 1/4x18 /4	146,05	1	1
R553Y025	1" 1/4x18 /5	179,50	1	1
R553Y026	1" 1/4x18 /6	214,15	1	1
R553Y027	1" 1/4x18 /7	247,75	1	1
R553Y028	1" 1/4x18 /8	278,45	1	1
R553Y029	1" 1/4x18 /9	312,00	1	1
R553Y030	1" 1/4x18 /10	348,25	1	1
R553Y031	1" 1/4x18 /11	375,90	1	1
R553Y032	1" 1/4x18 /12	421,65	1	-



INFORMACION

Los soportes que incorpora el colector son compatibles únicamente con las cajas R500, R501 y R502 (profundidad 110mm).

Para utilizar la caja R500-2 (profundidad regulable 85÷130mm) sustituir los soportes del colector por los R588ZY001 (pedir por separado).

Colector premontado para instalación de climatización. Conexión para tubo de cobre, plástico o multicapa.

Separación entre salidas de 50mm. Rango de temperatura 5÷110°C. Presión máxima de trabajo 10bar.

Formado por:

- 1 colector de impulsión con detentores para equilibrado dotados de memoria mecánica.
- 1 colector de retorno con válvulas de corte accionadas por volante manual. Posibilidad de instalar cabezales electrotérmicos.
- Soportes metálicos.
- Juego de adhesivos para identificación de circuitos.
- 1 llave para regulación de detentores, modelo R558.

NOTAS

El control eléctrico todo/nada de los circuitos puede realizarse quitando los volantes manuales y montando los cabezales electrotérmicos R473, R473, R478 o R478M.

Para el equilibrado de circuitos utilizar la llave R558 o la llave R558N.

Para la conexión a tubo utilizar los adaptadores R178, R179 o R179AM.

Equilibrado del circuito



El colector de impulsión está dotado de detentores con memoria mecánica para el equilibrado de circuitos. Utilizando la llave R558N inicialmente se abre por completo el anillo de memoria mecánica y posteriormente, partiendo de la posición de cerrado completamente, se realizan el número de giros correspondientes según el equilibrado teórico.

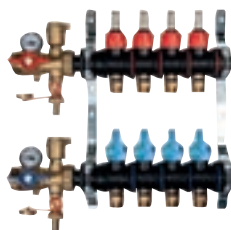
Una vez realizado el equilibrado se cierra el anillo de la memoria mecánica hasta la posición del detentor. Esta operación permitirá, en un futuro, cerrar los circuitos y volverlos a abrir hasta la posición inicial, sin perder el equilibrado.

R553FP

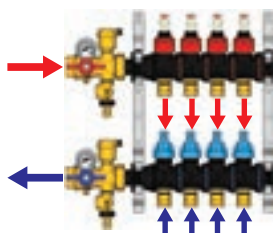
CÓDIGO	MEDIDA	€/ud	☐	☒
R553FP022	1"X18 /2	178,35	1	-
R553FP023	1"X18 /3	210,00	1	-
R553FP024	1"X18 /4	237,30	1	-
R553FP025	1"X18 /5	264,65	1	-
R553FP026	1"X18 /6	292,00	1	-
R553FP027	1"X18 /7	319,30	1	-
R553FP028	1"X18 /8	342,00	1	-
R553FP029	1"X18 /9	371,30	1	-
R553FP030	1"X18 /10	400,95	1	-
R553FP031	1"X18 /11	431,95	1	-
R553FP032	1"X18 /12	461,60	1	-

SELECCIÓN CAJA R500-2

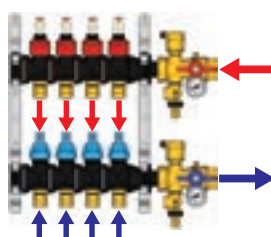
Código colector	Nº de salidas	Código caja	Dimensiones [mm]
R553FP022	2	R500Y221	400x650x85÷130
R553FP023	3	R500Y221	400x650x85÷130
		R500Y222	600x650x85÷130
R553FP024	4		
R553FP025	5	R500Y222	600x650x85÷130
R553FP026	6		
R553FP027	7	R500Y222	600x650x85÷130
		R500Y223	800x650x85÷130
R553FP028	8		
R553FP029	9	R500Y223	800x650x85÷130
R553FP030	10		
R553FP031	11	R500Y223	800x650x85÷130
		R500Y224	1000x650x85÷130
R553FP032	12	R500Y224	1000x650x85÷130



CONEXIÓN IZQUIERDA



CONEXIÓN DERECHA



Colector modular premontado con caudalímetro, fabricado en tecnopolímero.

Separación entre salidas de 50mm.

Rango de temperatura 5÷60°C (100°C para breves periodos de tiempo).

Presión máxima de trabajo 6bar (10bar para prueba de presión).

Formado por:

- 1 colector de impulsión en tecnopolímero con caudalímetros (doble escala: 0,5÷5l/min y GPM) con función de regulación/corte de fluido.

- 1 colector de retorno en tecnopolímero con válvulas de corte accionadas por volante manual. Posibilidad de instalar cabezales electrotérmicos acoplado anillo M30x1,5.

- Estanqueidad con doble junta en EPDM.

- Soportes metálicos R588Z.

- 2 válvulas multifunción R269T en latón, con conexión de 1" (impulsión y retorno).

NOTAS

Conexión: 1" (R269T) x DN32 (colector) x base 18 (circuitos).

El control eléctrico todo/nada de los circuitos puede realizarse quitando los volantes manuales y montando los cabezales electrotérmicos R473, R473, R478 o R478M.

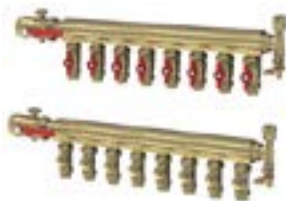
Para la conexión a tubo utilizar los adaptadores R178, R179 o R179AM.

INFORMACION

Los soportes que incorpora el colector son compatibles únicamente con la caja R500-2 (profundidad regulable 85÷130mm).

R553KI

CÓDIGO	MEDIDA	€/ud	☐	☒
R553KI086	1 1/2"x1" /6	958,95	1	-
R553KI087	1 1/2"x1" /7	1.058,65	1	-
R553KI088	1 1/2"x1" /8	1.159,55	1	-



Colector premontado para instalaciones de calefacción de tipo industrial, de latón.

Rango de temperatura 5÷110°C.

Presión máxima de trabajo 10bar.

Formado por:

- 1 colector de impulsión con válvula de corte con accionamiento por palomilla en cada salida.

- 1 colector de retorno con detentores en cada salida.

- Válvula de corte con accionamiento a palanca aguas arriba del colector. Incluye termómetro (escala 0÷120°C).

- Grupo terminal formado por purgador automático y grifo de descarga.

> COLECTORES PREMONTADOS CON REGULACIÓN DE TEMPERATURA

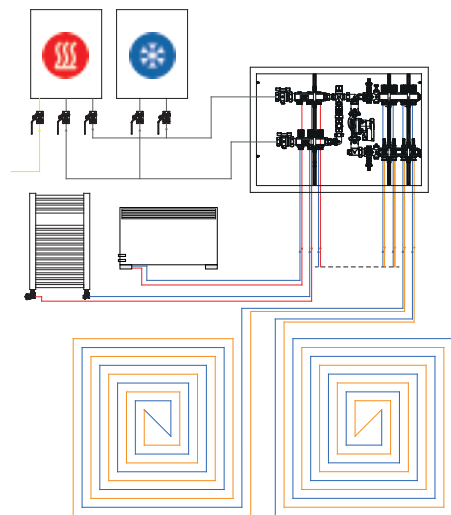
R559N

CÓDIGO	MEDIDA	€/ud		
R559NY004	1"x18/4	1.316,75	1	-
R559NY005	1"x18/5	1.375,40	1	-
R559NY006	1"x18/6	1.415,95	1	-
R559NY007	1"x18/7	1.453,00	1	-
R559NY008	1"x18/8	1.521,20	1	-
R559NY009	1"x18/9	1.567,15	1	-
R559NY010	1"x18/10	1.602,40	1	-
R559NY011	1"x18/11	1.637,45	1	-
R559NY012	1"x18/12	1.673,90	1	-

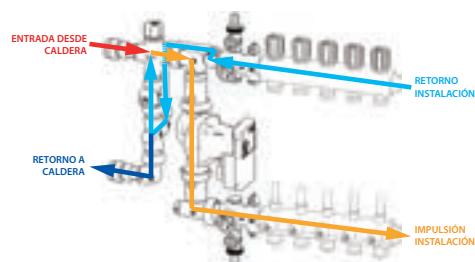
ACCESORIOS

CÓDIGO	MEDIDA	€/ud		
R553AY002	1"	219,90	1	-
R553AY003	1"	254,15	1	-
GE550Y100	1"	147,55	1	-
R588RY010	35 mm	23,35	1	10

EJEMPLO DE INSTALACIÓN



ESQUEMA DE FLUJO



R559N-1

CÓDIGO	MEDIDA	€/ud		
R559NY043	1"	413,95	1	-

Grupo de mezcla. Conexión de 1" para colector de distribución. Mezcla obtenida mediante válvula mezcladora de tres vías, modelo R298 (M30x1,5).

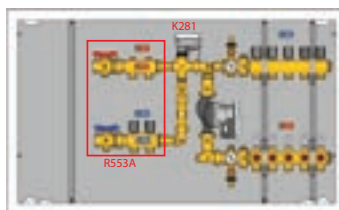
Rango de temperatura 5÷110°C.
Presión máxima de trabajo 10bar.

Formado por:

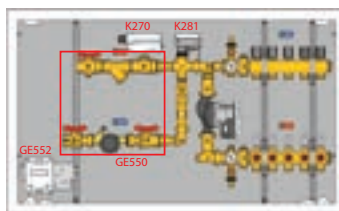
- Grupo de carga y descarga.
- Purgadores.
- Termómetros.
- Separador de plástico para instalación de circulador.
- Válvula mezcladora de tres vías, modelo R298 (conexión de actuador M30x1,5).



ACCESORIO - KIT SALIDAS ALTA TEMPERATURA



ACCESORIO - KIT CONTABILIZACIÓN



NOTAS

El control eléctrico todo/nada de los circuitos puede realizarse quitando los volantes manuales y montando los cabezales electrotrémicos R473, R473, R478 o R478M.

Para el equilibrado de circuitos utilizar la llave R558 o la llave R558N.

Para la conexión a tubo utilizar los adaptadores R178, R179 o R179AM.

Colector premontado con regulación electrónica a válvula mezcladora.

Conexión para tubo de cobre, plástico o multicapa.

Alimentación con agua a alta temperatura (>70°C).

El control de temperatura, de tipo electrónico, con el motor K281X012 (pedir por separado)

gestionado por termoregulación Bus Giacomini (no incluida).

Rango de temperatura 5÷110°C.

Presión máxima de trabajo 10bar.

Caja metálica de 110mm de fondo y 605mm de altura.

Formado por:

- Conexión de 1"
- 1 colector de impulsión con detentores frontales para equilibrado dotados de memoria mecánica y caudalímetros (0,5÷5l/min).
- 1 colector de retorno con válvulas de corte accionadas por volante manual. Posibilidad de instalar cabezales electrotrémicos.
- Grupo de carga y descarga.
- Purgadores.
- Termómetros.
- Circulador automodulante, conforme a la directiva ErP 2009/125/CE.
- Caja metálica con soportes.

Completar con:

- Aislamiento R559W.
- Kit de salidas a alta temperatura o contabilización.
- Actuador K281X012 y termoregulación KLIMAbus.

INFORMACION

KIT DE SALIDAS A ALTA TEMPERATURA:
(completar el colector con los siguientes códigos):

R553AY002: kit alta temperatura de impulsión y retorno de 1" para 2 zonas (soporte incluido).
R553AY003: kit alta temperatura de impulsión y retorno de 1" para 3 zonas (soporte incluido).

KIT DE CONTABILIZACIÓN:

(completar el colector con los siguientes códigos):
GE550Y100: Kit de contabilización de impulsión y retorno 1" con filtro, válvula de zona y separador de plástico para instalación de contador. Instalar con soporte R588RY010.

Pedir por separado:

- Contador de energía térmica, modelo GE552.
- Motor para válvula de zona, modelo K270.

R559W

CÓDIGO	MEDIDA	€/ud		
R559WY005	1"	112,55	1	-

Aislamiento el poliuretano expandido para colector premontado con regulación electrónica R559N.



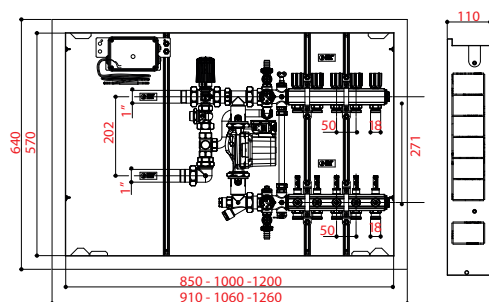
R557R-2

CÓDIGO	MEDIDA	€/ud	□	⊞
R557RY024	1" x 18 / 4	1.383,15	1	-
R557RY025	1" x 18 / 5	1.418,90	1	-
R557RY026	1" x 18 / 6	1.491,65	1	-
R557RY027	1" x 18 / 7	1.529,75	1	-
R557RY028	1" x 18 / 8	1.568,00	1	-
R557RY029	1" x 18 / 9	1.652,60	1	-
R557RY030	1" x 18 / 10	1.684,95	1	-
R557RY031	1" x 18 / 11	1.716,75	1	-
R557RY032	1" x 18 / 12	1.750,20	1	-

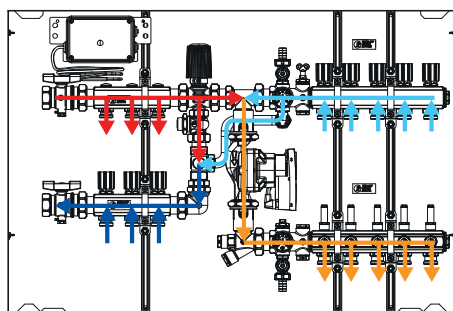
ACCESORIOS

CÓDIGO	MEDIDA	€/ud	□	⊞
R553AY002	1"	219,90	1	-
R553AY003	1"	254,15	1	-
GE550Y100	1"	147,55	1	-
R588RY010	35 mm	23,35	1	10

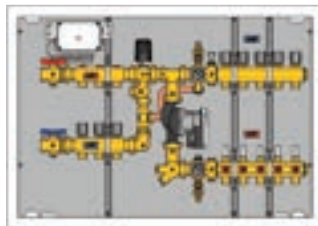
DIMENSIONES



ESQUEMA DE FLUJO



ACCESORIO - KIT SALIDAS ALTA TEMPERATURA



ACCESORIO - KIT CONTABILIZACIÓN



Colector premontado para instalación de calefacción, en latón, con regulación a punto fijo. Conexión para tubo de cobre, plástico o multicapa. Alimentación con agua a alta temperatura (>70°C). Mezcla obtenida mediante válvula de tres vías con cabezal termostático R462L.

Rango de temperatura 5÷110°C.

Presión máxima de trabajo 10bar.

Formado por:

- 1 colector de impulsión con dettores frontales para equilibrado dotados de memoria mecánica y caudalímetros (0,5÷5l/min).
- 1 colector de retorno con válvulas de corte accionadas por volante manual. Posibilidad de instalar cabezales electrotérmicos.
- Termostato de seguridad K373.
- Grupo de carga y descarga.
- Purgadores.
- Termómetros.
- Circulador automodulante, conforme a la directiva ErP 2009/125/CE.
- Caja metálica con soportes.

Completar con:

- Aislamiento R557W.
- Kit de salidas a alta temperatura o contabilización.

INFORMACION

KIT DE SALIDAS A ALTA TEMPERATURA:

(completar el colector con los siguientes códigos):

R553AY002: kit alta temperatura de impulsión y retorno de 1" para 2 zonas (soporte incluido).

R553AY003: kit alta temperatura de impulsión y retorno de 1" para 3 zonas (soporte incluido).

KIT DE CONTABILIZACIÓN:

(completar el colector con los siguientes códigos):

GE550Y100: Kit de contabilización de impulsión y retorno 1" con filtro, válvula de zona y separador de plástico para instalación de contador. Instalar con soporte R588RY010.

Pedir por separado:

- Contador de energía térmica, modelo GE552.
- Motor para válvula de zona, modelo K270.

NOTAS

El control eléctrico todo/nada de los circuitos puede realizarse quitando los volantes manuales y montando los cabezales electrotérmicos R473, R473, R478 o R478M.

Para el equilibrado de circuitos utilizar la llave R558 o la llave R558N.

Para la conexión a tubo utilizar los adaptadores R178, R179 o R179AM.

R557R-1

CÓDIGO	MEDIDA	€/ud	□	⊞
R557RY042	-	678,80	1	1

Grupo de mezcla a punto fijo, en latón. Conexión de 1" para colector de distribución. Mezcla obtenida mediante válvula de tres vías con cabezal termostático R462L. Rango de temperatura 5÷110°C. Presión máxima de trabajo 10bar.

Formado por:

- Grupo de carga y descarga.
- Purgadores.
- Termómetros.
- Circulador automodulante, conforme a la directiva ErP 2009/125/CE.



R557W

CÓDIGO	MEDIDA	€/ud	□	⊞
R557WY025	1"	101,35	1	-

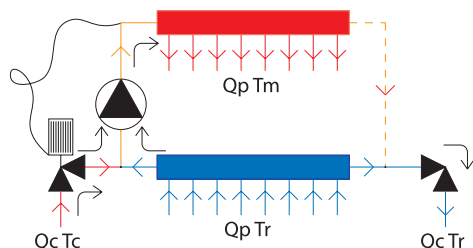
Aislamiento el poliuretano expandido para colector premontado a punto fijo R557R-2.



R557F

CÓDIGO	MEDIDA	€/ud	☐	☒
R557FY002	1"x18 /2	365,35	1	-
R557FY003	1"x18 /3	371,20	1	-
R557FY004	1"x18 /4	410,60	1	-
R557FY005	1"x18 /5	439,20	1	-
R557FY006	1"x18 /6	469,70	1	-
R557FY007	1"x18 /7	520,35	1	-
R557FY008	1"x18 /8	551,85	1	-
R557FY009	1"x18 /9	585,05	1	-
R557FY010	1"x18 /10	808,90	1	-
R557FY011	1"x18 /11	873,65	1	-
R557FY012	1"x18 /12	736,70	1	-

SCHEMA FUNZIONALE



Qp	Caudal agua del circuito radiante (l/h)
Qc	Caudal agua del circuito primario de alta temperatura (l/h)
Tc	Temperatura de agua del primario a alta temperatura (°C)
Tm	Temperatura agua impulsión a circuito radiante (°C)
Tr	Temperatura agua retorno de circuito radiante (°C)

INFORMACION

Caja metálica a utilizar:
 - R557Y051 para colector de 2 a 7 salidas.
 - R557Y052 para colector de 8 a 12 salidas.

Colector premontado para instalación de calefacción con regulación a punto fijo. Conexión para tubo de cobre, plástico o multicapa. Alimentación con agua a alta temperatura (>70°C). Mezcla obtenida con cabezal termostático R462L. Rango de temperatura 5÷110°C. Presión máxima de trabajo 10bar. Formado por:
 - 1 colector de impulsión con dettores frontales para equilibrado dotados de memoria mecánica y caudalímetros (0,5÷5l/min).
 - 1 colector de retorno con válvulas de corte accionadas por volante manual. Posibilidad de instalar cabezales electrotérmicos.

NOTAS

Separación entre salidas: 50mm

Para el equilibrado de circuitos debe utilizarse la llave R558N.

Conexión de tubería con adaptadores R178, R179 o R179AM.

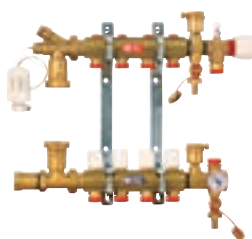
La regulación automática de los circuitos puede ser efectuada quitando el volante manual y colocando un cabezal electrotérmico R473, R473M, R478 o R478M.

El conjunto no incluye:

- Válvula termostatizable R401TG o R402TG.
- Detentor R24TG o R15TG.
- Bomba de circulación.
- Termostato de seguridad K373.
- Caja metálica R557I.

R557

CÓDIGO	MEDIDA	€/ud	☐	☒
R557Y002	1"x18 /2	290,10	1	-
R557Y003	1"x18 /3	314,15	1	-
R557Y004	1"x18 /4	347,40	1	-
R557Y005	1"x18 /5	371,55	1	-
R557Y006	1"x18 /6	397,50	1	-
R557Y007	1"x18 /7	421,30	1	-
R557Y008	1"x18 /8	446,65	1	-
R557Y009	1"x18 /9	473,65	1	-
R557Y010	1"x18 /10	526,45	1	-
R557Y011	1"x18 /11	562,55	1	-
R557Y012	1"x18 /12	575,15	1	-



INFORMACION

Selección de caja metálica R557I:
 - R557Y051: para colector de 2 a 7 salidas.
 - R557Y052: para colector de 8 a 12 salidas.

Colector premontado para instalación de calefacción con regulación a punto fijo. Conexión para tubo de cobre, plástico o multicapa. Alimentación con agua a alta temperatura (>70°C). Mezcla obtenida con cabezal termostático R462L. Rango de temperatura 5÷110°C. Presión máxima de trabajo 10bar. Formado por:
 - 1 colector de impulsión con dettores para equilibrado dotados de memoria mecánica.
 - 1 colector de retorno con válvulas de corte accionadas por volante manual. Posibilidad de instalar cabezales electrotérmicos.

NOTAS

El control eléctrico todo/nada de los circuitos puede realizarse quitando los volantes manuales y montando los cabezales electrotérmicos R473, R473M, R478 o R478M.

Para el equilibrado de circuitos utilizar la llave R558 o la llave R558N.

Para la conexión a tubo utilizar los adaptadores R178, R179 o R179AM.

No incluye:

- Válvula termostatizable R401TG o R402TG.
- Detentor R14TG o R15TG.
- Circulador (altura recomendada 130mm).
- Termostato de seguridad K373.
- Caja metálica R557I.

> COLECTORES MODULARES

R53ST

CÓDIGO	MEDIDA	€/ud	□	⊞
R53STY006	1"x18xDN32	34,55	1	20
R53STY007	1 1/4"x18xDN32	37,35	1	20



Par de elementos extremos de colector modular a bayoneta con detores frontales para equilibrado dotados de memoria mecánica.

Conexión para tubo de cobre, plástico o multicapa. Separación entre salidas (elementos ensamblados) de 50mm.

Rango de temperatura 5÷110°C.
Presión máxima de trabajo 10bar.

NOTAS

Para el equilibrado de circuitos utilizar la llave R558 o la llave R558N.

Para la conexión a tubo utilizar los adaptadores R178, R179 o R179AM.

R53VT

CÓDIGO	MEDIDA	€/ud	□	⊞
R53VTY006	1"x18xDN32	45,10	1	20
R53VTY007	1 1/4"x18xDN32	47,05	1	20



Par de elementos extremos de colector modular a bayoneta, de retorno, con válvula de corte accionada por volante manual. Posibilidad de instalar cabezales electrotérmicos.

Conexión para tubo de cobre, plástico o multicapa. Separación entre salidas (elementos ensamblados) de 50mm.

Rango de temperatura 5÷110°C.
Presión máxima de trabajo 10bar.

NOTAS

El control eléctrico todo/nada de los circuitos puede realizarse quitando los volantes manuales y montando los cabezales electrotérmicos R473, R473, R478 o R478M.

Para la conexión a tubo utilizar los adaptadores R178, R179 o R179AM.

R53MT

CÓDIGO	MEDIDA	€/ud	□	⊞
R53MTY006	1"x18xDN32	48,10	1	20
R53MTY007	1 1/4"x18xDN32	51,25	1	20



Par de elementos extremos de colector modular a bayoneta, de impulsión, con detores frontales para equilibrado dotados de memoria mecánica y caudalímetros (0,5÷5l/min).

Conexión para tubo de cobre, plástico o multicapa. Separación entre salidas (elementos ensamblados) de 50mm.

Rango de temperatura 5÷110°C.
Presión máxima de trabajo 10bar.

NOTAS

Para el equilibrado de circuitos utilizar la llave R558 o la llave R558N.

Para la conexión a tubo utilizar los adaptadores R178, R179 o R179AM.

R580T

CÓDIGO	MEDIDA	€/ud	□	⊞
R580TY004	3/4"x16xDN25	12,70	1	50
R580TY005	1"x16xDN25	13,80	1	50
R580TY006	1"x18xDN32	16,85	1	40



Par de elementos extremos de colector modular a bayoneta.

Conexión para tubo de cobre, plástico o multicapa. Separación entre salidas (elementos ensamblados): 35mm (DN25) y 50mm (DN32).

Rango de temperatura 5÷90°C.
Presión máxima de trabajo 10bar.

NOTAS

Para la conexión a tubo utilizar los adaptadores R178, R179 o R179AM.

R585T

Documentación técnica n. 0105IT

CÓDIGO	MEDIDA	€/ud	□	⊞
R585TY104	3/4"x16xDN25	21,80	1	50
R585TY105	1"x16xDN25	23,80	1	25



Par de elementos extremos de colector modular a bayoneta con válvula de corte manual.
Conexión para tubo de cobre, plástico o multicapa.
Separación entre salidas (elementos ensamblados) de 35mm.
Rango de temperatura 5÷90°C.
Presión máxima de trabajo 10bar.

NOTAS

Para la conexión a tubo utilizar los adaptadores R178, R179 o R179AM.

R53SM

CÓDIGO	MEDIDA	€/ud	□	⊞
R53SMY006	DN32x18	20,15	1	20



Elemento intermedio de colector modular a bayoneta con detentores frontales para equilibrado dotados de memoria mecánica.
Conexión para tubo de cobre, plástico o multicapa.
Separación entre salidas (elementos ensamblados) de 50mm.
Rango de temperatura 5÷110°C.
Presión máxima de trabajo 10bar.

NOTAS

Para el equilibrado de circuitos utilizar la llave R558 o la llave R558N.

Para la conexión a tubo utilizar los adaptadores R178, R179 o R179AM.

R53VM

CÓDIGO	MEDIDA	€/ud	□	⊞
R53VMY006	DN32x18	27,25	1	20



Elemento intermedio de colector modular a bayoneta, de retorno, con válvula de corte accionada por volante manual. Posibilidad de instalar cabezales electrotérmicos.
Conexión para tubo de cobre, plástico o multicapa.
Separación entre salidas (elementos ensamblados) de 50mm.
Rango de temperatura 5÷110°C.
Presión máxima de trabajo 10bar.

NOTAS

El control eléctrico todo/nada de los circuitos puede realizarse quitando los volantes manuales y montando los cabezales electrotérmicos R473, R473, R478 o R478M.

Para la conexión a tubo utilizar los adaptadores R178, R179 o R179AM.

R53MM

CÓDIGO	MEDIDA	€/ud	□	⊞
R53MMY006	DN32x18	27,35	1	20





Elemento intermedio de colector modular a bayoneta, de impulsión, con detentores frontales para equilibrado dotados de memoria mecánica y caudalímetros (0,5÷5l/min).
Conexión para tubo de cobre, plástico o multicapa.
Separación entre salidas (elementos ensamblados) de 50mm.
Rango de temperatura 5÷110°C.
Presión máxima de trabajo 10bar.

NOTAS

Para el equilibrado de circuitos utilizar la llave R558 o la llave R558N.

Para la conexión a tubo utilizar los adaptadores R178, R179 o R179AM.

R580M

CÓDIGO	MEDIDA	€/ud		
R580MY005	DN25x16	5,90	1	100
R580MY006	DN32x18	8,05	1	50



Elemento intermedio de colector modular a bayoneta.

Conexión para tubo de cobre, plástico o multicapa.
Separación entre salidas (elementos ensamblados):
35mm (DN25) y 50mm (DN32).
Rango de temperatura 5÷90°C.
Presión máxima de trabajo 10bar.

NOTAS

Para la conexión a tubo utilizar los adaptadores R178, R179 o R179AM.

R585M

Documentación técnica n. 0105IT

CÓDIGO	MEDIDA	€/ud		
R585MY105	DN25x16	10,15	1	80



Elemento intermedio de colector modular a bayoneta con válvula de corte manual.

Conexión para tubo de cobre, plástico o multicapa.
Separación entre salidas (elementos ensamblados) de 35mm.
Rango de temperatura 5÷90°C.
Presión máxima de trabajo 10bar.

NOTAS

Para la conexión a tubo utilizar los adaptadores R178, R179 o R179AM.

> COLECTORES COMPONIBLES

R580C

SALIDAS 1/2" O 3/4"E

CÓDIGO	MEDIDA	€/ud	☐	☒
R580CY062	3/4"x1/2"E/2	12,30	1	50
R580CY063	3/4"x1/2"E/3	16,55	1	50
R580CY064	3/4"x1/2"E/4	22,50	1	50
R580CY052	1"x3/4"E/2	17,90	1	50
R580CY053	1"x3/4"E/3	26,60	1	50
R580CY054	1"x3/4"E/4	35,25	1	30

SALIDAS BASE 16

CÓDIGO	MEDIDA	€/ud	☐	☒
R580CY022	3/4"x16/2	10,25	1	50
R580CY023	3/4"x16/3	14,30	1	50
R580CY024	3/4"x16/4	17,25	1	50
R580CY042	1"x16/2	15,55	1	50
R580CY043	1"x16/3	20,30	1	50
R580CY044	1"x16/4	24,75	1	30



Colector componible simple, en latón. Conexión a adaptador para tubo de cobre, plástico o multicapa.

Rango de temperatura 5 ÷ 110 °C.
Presión máxima de trabajo 10bar.

NOTAS

Colector 3/4" x 1/2": separación entre salidas 35mm.
Colector 1" x 3/4"E: separación entre salidas 40mm.
Colector 3/4" x 16 y 1" x 16: separación entre salidas 35mm.

Con los colectores R580CY062, R580CY063, R580CY064 (Ø asiento adaptador 16 mm) se pueden utilizar únicamente los adaptadores R179EY052, R179EY055, R179EY056, R179EY058, RM179Y113, RM179Y116, R178EY121, R178EY122, R178EY123, R178EY124, R178EY125.

Con los colectores R580CY052, R580CY053, R580CY054 se pueden utilizar únicamente los adaptadores R179EX021, R179EX022, R179EX023, R179EX024, R179EX025, R179E X026, R179EX027, R179EY028, RM179X103, RM179X106, R178EX112, R178EX113, R178EX104, R178EX115, R178EX116.

Con los colectores base 16 utilizar los adaptadores R178, R179 o R179AM.

R585C

SALIDAS 1/2"

CÓDIGO	MEDIDA	€/ud	☐	☒
R585CY062	3/4"x1/2"E/2	29,05	1	20
R585CY063	3/4"x1/2"E/3	39,95	1	20
R585CY064	3/4"x1/2"E/4	51,65	1	20

SALIDAS BASE 16

CÓDIGO	MEDIDA	€/ud	☐	☒
R585CY022	3/4"x16/2	28,45	1	20
R585CY023	3/4"x16/3	39,90	1	20
R585CY024	3/4"x16/4	50,30	1	20
R585CY042	1"x16/2	37,70	1	20
R585CY043	1"x16/3	51,80	1	20
R585CY044	1"x16/4	66,50	1	20



Colector componible simple, en latón, con válvula de corte por circuito. Conexión a adaptador para tubo de cobre, plástico o multicapa.

Rango de temperatura 5 ÷ 110 °C.
Presión máxima de trabajo 10bar.

NOTAS

Colector 3/4" x 1/2": separación entre salidas 35mm.
Colector 3/4" x 16 y 1" x 16: separación entre salidas 50mm.

Con los colectores R585CY062, R585CY063, R585CY064 (Ø asiento adaptador 16 mm) se pueden utilizar únicamente los adaptadores R179EY052, R179EY055, R179EY056, R179EY058, RM179Y113, RM179Y116, R178EY121, R178EY122, R178EY123, R178EY124, R178EY125.

Con los colectores base 16 utilizar los adaptadores R178, R179 o R179AM.

PRINCIPALES CARACTERÍSTICAS DE LOS COLECTORES ESTAMPADOS EN LATÓN

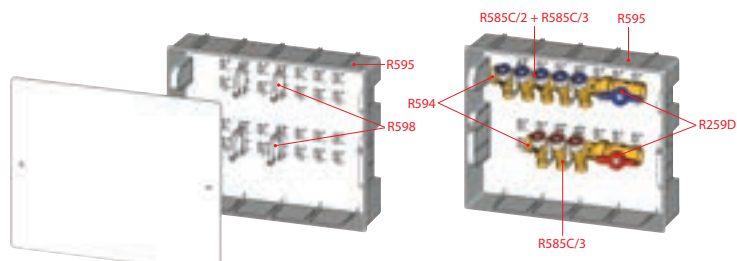
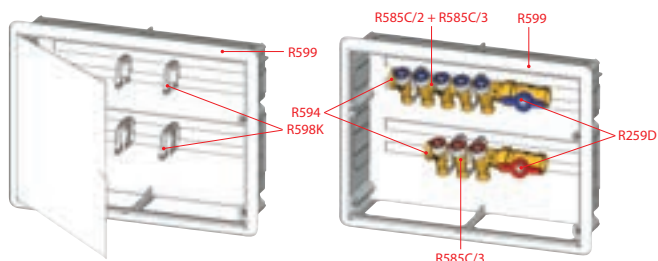


Los colectores son fabricados en cuerpo de estampado, característica que les confiere una solidez extrema además de una rugosidad muy reducida, obtenida por mecanizado de extracción de virutas en toda la superficie interior.

Observando una sección del colector R585C se hace evidente que se ha diseñado para obtener un mayor paso de agua. El cierre del obturador viene garantizado por la presencia de la junta en EPDM.

INSTALACIÓN EN CAJA R599

INSTALACIÓN EN CAJA R595



> COLECTORES SIMPLES

R580

CÓDIGO	MEDIDA	€/ud	□	⊞
R580Y022	3/4"x16/2	13,65	1	10
R580Y023	3/4"x16/3	18,85	1	10
R580Y024	3/4"x16/4	24,35	1	10
R580Y025	3/4"x16/5	29,50	1	5
R580Y026	3/4"x16/6	34,35	1	5
R580Y027	3/4"x16/7	40,80	1	10
R580Y028	3/4"x16/8	46,80	1	10
R580Y029	3/4"x16/9	53,30	1	10
R580Y030	3/4"x16/10	58,40	1	10
R580Y062	1"x16/2	16,75	1	15
R580Y063	1"x16/3	23,65	1	10
R580Y064	1"x16/4	29,85	1	10
R580Y065	1"x16/5	36,50	1	5
R580Y066	1"x16/6	44,10	1	5
R580Y067	1"x16/7	50,15	1	5
R580Y068	1"x16/8	57,65	1	5
R580Y069	1"x16/9	64,55	1	5
R580Y070	1"x16/10	71,55	1	5
R580Y071	1"x16/11	86,05	1	-



Colector de distribución, en latón, con conexión para adaptador de tubo de cobre, plástico o multicapa.

Rango de temperatura 5 ÷ 110 °C.
Presión máxima de trabajo 16bar.

NOTAS

Separación entre salidas: 35mm

Conexión de tubería con adaptadores R178, R179 o R179AM.

R585

CÓDIGO	MEDIDA	€/ud	□	⊞
R585Y022	3/4"x16/2	18,00	1	10
R585Y023	3/4"x16/3	25,00	1	10
R585Y024	3/4"x16/4	32,35	1	10
R585Y025	3/4"x16/5	39,75	1	5
R585Y026	3/4"x16/6	47,20	1	5
R585Y027	3/4"x16/7	54,40	1	10
R585Y028	3/4"x16/8	61,70	1	10
R585Y029	3/4"x16/9	71,90	1	10
R585Y030	3/4"x16/10	79,70	1	10
R585Y042	1"x16/2	22,90	1	15
R585Y043	1"x16/3	32,50	1	10
R585Y044	1"x16/4	39,85	1	10
R585Y045	1"x16/5	49,35	1	5
R585Y046	1"x16/6	62,80	1	5
R585Y047	1"x16/7	67,75	1	5
R585Y048	1"x16/8	77,85	1	5
R585Y049	1"x16/9	87,20	1	5
R585Y050	1"x16/10	96,80	1	5



Colector de distribución en latón con detentor y conexión para adaptador de tubo de cobre, plástico o multicapa.

Rango de temperatura 5 ÷ 110 °C.
Presión máxima de trabajo 10bar.

NOTAS

Separación entre salidas: 35mm

Conexión de tubería con adaptadores R178, R179 o R179AM.

R551S

CÓDIGO	MEDIDA	€/ud	□	⊞
R551SY002	3/4"x18/2	14,60	1	16
R551SY003	3/4"x18/3	21,60	1	15
R551SY004	3/4"x18/4	28,45	1	7
R551SY005	3/4"x18/5	35,60	1	8
R551SY006	3/4"x18/6	42,20	1	6
R551SY007	3/4"x18/7	49,25	1	10
R551SY008	3/4"x18/8	55,70	1	10
R551SY009	3/4"x18/9	63,15	1	10
R551SY010	3/4"x18/10	69,35	1	10
R551SY011	3/4"x18/11	71,20	1	10
R551SY022	1"x18/2	19,75	1	12
R551SY023	1"x18/3	27,05	1	10
R551SY024	1"x18/4	34,00	1	5
R551SY025	1"x18/5	42,05	1	5
R551SY026	1"x18/6	49,25	1	5
R551SY027	1"x18/7	56,95	1	8
R551SY028	1"x18/8	64,85	1	6
R551SY029	1"x18/9	74,10	1	8
R551SY030	1"x18/10	82,45	1	6
R551SY031	1"x18/11	92,20	1	7
R551SY032	1"x18/12	109,75	1	7
R551SY042	1" 1/4x18/2	23,25	1	8
R551SY043	1" 1/4x18/3	32,05	1	4
R551SY044	1" 1/4x18/4	39,70	1	4
R551SY045	1" 1/4x18/5	48,90	1	4
R551SY046	1" 1/4x18/6	57,00	1	3
R551SY047	1" 1/4x18/7	67,40	1	5
R551SY048	1" 1/4x18/8	75,95	1	5
R551SY049	1" 1/4x18/9	85,55	1	5
R551SY050	1 1/4"x18/10	95,70	1	6
R551SY051	1 1/4"x18/11	104,35	1	5
R551SY052	1 1/4"x18/12	117,95	1	5



Colector de distribución, en latón, con conexión para adaptador de tubo de cobre, plástico o multicapa.

Separación entre salidas 50mm.
Rango de temperatura 5 ÷ 110 °C.
Presión máxima de trabajo 16bar.

NOTAS

Para la conexión a tubo utilizar los adaptadores R178, R179 o R179AM.

R551

CÓDIGO	MEDIDA	€/ud	□	▣
R551Y002	3/4"x3/8"/2 (35)	6,90	1	26
R551Y003	3/4"x3/8"/3 (35)	9,95	1	20
R551Y004	3/4"x3/8"/4 (35)	13,40	1	20
R551Y005	3/4"x3/8"/5 (35)	16,55	1	10
R551Y006	3/4"x3/8"/6 (35)	18,95	1	10
R551Y007	3/4"x3/8"/7 (35)	22,05	1	10
R551Y008	3/4"x3/8"/8 (35)	24,90	1	10
R551Y009	3/4"x3/8"/9 (35)	28,30	1	15
R551Y010	3/4"x3/8"/10 (35)	31,65	1	15
R551Y011	3/4"x3/8"/11 (35)	34,60	1	15
R551Y012	3/4"x3/8"/12 (35)	37,50	1	15
R551Y123	3/4"x3/8"/3 (50)	12,20	1	36
R551Y124	3/4"x3/8"/4 (50)	16,85	1	25
R551Y125	3/4"x3/8"/5 (50)	20,50	1	20
R551Y126	3/4"x3/8"/6 (50)	25,75	1	15
R551Y127	3/4"x3/8"/7 (50)	30,20	1	15
R551Y128	3/4"x3/8"/8 (50)	33,60	1	15
R551Y129	3/4"x3/8"/9 (50)	38,45	1	15
R551Y130	3/4"x3/8"/10 (50)	42,60	1	15
R551Y022	3/4"x1/2"/2 (50)	10,55	1	50
R551Y023	3/4"x1/2"/3 (50)	15,45	1	50
R551Y024	3/4"x1/2"/4 (50)	20,45	1	10
R551Y025	3/4"x1/2"/5 (50)	25,60	1	10
R551Y026	3/4"x1/2"/6 (50)	30,85	1	10
R551Y027	3/4"x1/2"/7 (50)	36,20	1	15
R551Y028	3/4"x1/2"/8 (50)	41,65	1	15
R551Y042	1"x3/8"/2 (35)	8,75	1	15
R551Y043	1"x3/8"/3 (35)	12,50	1	20
R551Y044	1"x3/8"/4 (35)	16,35	1	12
R551Y045	1"x3/8"/5 (35)	19,90	1	8
R551Y046	1"x3/8"/6 (35)	23,10	1	8
R551Y047	1"x3/8"/7 (35)	27,05	1	20
R551Y048	1"x3/8"/8 (35)	30,15	1	8
R551Y049	1"x3/8"/9 (35)	34,45	1	10
R551Y050	1"x3/8"/10 (35)	38,05	1	10
R551Y051	1"x3/8"/11 (35)	41,75	1	10
R551Y052	1"x3/8"/12 (35)	45,60	1	10
R551Y062	1"x1/2"/2 (50)	11,75	1	15
R551Y063	1"x1/2"/3 (50)	17,45	1	12
R551Y064	1"x1/2"/4 (50)	23,30	1	6
R551Y065	1"x1/2"/5 (50)	29,20	1	8
R551Y066	1"x1/2"/6 (50)	35,00	1	8
R551Y067	1"x1/2"/7 (50)	41,10	1	10
R551Y068	1"x1/2"/8 (50)	47,00	1	10
R551Y069	1"x1/2"/9 (50)	55,75	1	10
R551Y070	1"x1/2"/10 (50)	58,90	1	8
R551Y071	1"x1/2"/11 (50)	64,95	1	10
R551Y072	1"x1/2"/12 (50)	70,65	1	6
R551Y082	1 1/4"x1/2"/2 (50)	14,20	1	10
R551Y083	1 1/4"x1/2"/3 (50)	20,90	1	10
R551Y084	1 1/4"x1/2"/4 (50)	27,95	1	5
R551Y085	1 1/4"x1/2"/5 (50)	35,00	1	5
R551Y086	1 1/4"x1/2"/6 (50)	42,05	1	5
R551Y087	1 1/4"x1/2"/7 (50)	49,40	1	7
R551Y088	1 1/4"x1/2"/8 (50)	56,45	1	7
R551Y089	1 1/4"x1/2"/9 (50)	63,45	1	7
R551Y090	1 1/4"x1/2"/10 (50)	70,55	1	7
R551Y091	1 1/4"x1/2"/11 (50)	77,70	1	6
R551Y092	1 1/4"x1/2"/12 (50)	104,20	1	5
R551Y102	1 1/4"x3/4"/2 (70)	19,50	1	8
R551Y103	1 1/4"x3/4"/3 (70)	30,40	1	5
R551Y104	1 1/4"x3/4"/4 (70)	40,75	1	5
R551Y105	1 1/4"x3/4"/5 (70)	53,35	1	8
R551Y106	1 1/4"x3/4"/6 (70)	63,55	1	7
R551Y182	1 1/2"x1"/2 (100)	61,30	1	3
R551Y183	1 1/2"x1"/3 (100)	93,45	1	3
R551Y184	1 1/2"x1"/4 (100)	119,75	1	5
R551Y185	1 1/2"x1"/5 (100)	146,00	1	5
R551Y186	1 1/2"x1"/6 (100)	172,25	1	3
R551Y187	1 1/2"x1"/7 (100)	172,35	1	3
R551Y188	1 1/2"x1"/8 (100)	198,35	1	3
R551Y189	1 1/2"x1"/9 (100)	223,90	1	2
R551Y190	1 1/2"x1"/10 (100)	244,35	1	2
R551Y191	1 1/2"x1"/11 (100)	273,90	1	2
R551Y192	1 1/2"x1"/12 (100)	298,80	1	-
R551Y162	2"x1"/2 (100)	76,10	1	4
R551Y163	2"x1"/3 (100)	113,85	1	4
R551Y164	2"x1"/4 (100)	144,25	1	2
R551Y165	2"x1"/5 (100)	176,65	1	2
R551Y166	2"x1"/6 (100)	211,30	1	2



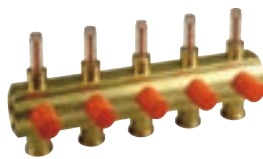
Colector de distribución, en latón, con conexiones hembra, rosca GAS.

Rango de temperatura $5 \div 110$ °C.

Presión máxima de trabajo 16bar.

R553M

CÓDIGO	MEDIDA	€/ud	□	⊞
R553MY002	1"x18 /2	55,45	1	10
R553MY003	1"x18 /3	75,15	1	10
R553MY004	1"x18 /4	96,95	1	10
R553MY005	1"x18 /5	110,45	1	-
R553MY006	1"x18 /6	133,70	1	-
R553MY007	1"x18 /7	161,85	1	-
R553MY008	1"x18 /8	184,70	1	-
R553MY009	1"x18 /9	204,25	1	-
R553MY010	1"x18 /10	231,70	1	-
R553MY011	1"x18 /11	251,90	1	-
R553MY012	1"x18 /12	277,95	1	-
R553MY022	1 1/4"x18 /2	62,65	1	10
R553MY023	1 1/4"x18 /3	86,35	1	10
R553MY024	1 1/4"x18 /4	112,10	1	10
R553MY025	1 1/4"x18 /5	136,00	1	-
R553MY026	1 1/4"x18 /6	162,10	1	-
R553MY027	1 1/4"x18 /7	187,80	1	-
R553MY028	1 1/4"x18 /8	214,20	1	-
R553MY029	1 1/4"x18 /9	238,10	1	-
R553MY030	1 1/4"x18 /10	268,20	1	-
R553MY031	1 1/4"x18 /11	291,65	1	-
R553MY032	1 1/4"x18 /12	321,05	1	-



Colector de distribución, de impulsión, con detentores frontales para equilibrado dotados de memoria mecánica y caudalímetros (0,5÷5l/min). Conexión para tubo de cobre, plástico o multicapa. Separación entre salidas de 50mm. Rango de temperatura 5÷110°C. Presión máxima de trabajo 10bar.

NOTAS

Para el equilibrado de circuitos utilizar la llave R558 o la llave R558N.

Para la conexión a tubo utilizar los adaptadores R178, R179 o R179AM.

R553S

CÓDIGO	MEDIDA	€/ud	□	⊞
R553SY002	1"x18 /2	34,00	1	10
R553SY003	1"x18 /3	47,65	1	10
R553SY004	1"x18 /4	62,45	1	5
R553SY005	1"x18 /5	76,55	1	5
R553SY006	1"x18 /6	91,35	1	5
R553SY007	1"x18 /7	106,00	1	6
R553SY008	1"x18 /8	109,60	1	6
R553SY009	1"x18 /9	140,55	1	6
R553SY010	1"x18 /10	162,50	1	6
R553SY011	1"x18 /11	184,55	1	6
R553SY012	1"x18 /12	199,20	1	6
R553SY022	1" 1/4x18 /2	35,75	1	8
R553SY023	1" 1/4x18 /3	50,85	1	6
R553SY024	1" 1/4x18 /4	66,70	1	3
R553SY025	1" 1/4x18 /5	83,95	1	4
R553SY026	1" 1/4x18 /6	99,00	1	4
R553SY027	1" 1/4x18 /7	115,25	1	5
R553SY028	1" 1/4x18 /8	131,55	1	5
R553SY029	1" 1/4x18 /9	152,50	1	5
R553SY030	1 1/4"x18 /10	176,15	1	5
R553SY031	1 1/4"x18 /11	199,70	1	5
R553SY032	1 1/4"x18 /12	222,05	1	5



Colector de distribución, de impulsión, con detentores para equilibrado dotados de memoria mecánica. Conexión para tubo de cobre, plástico o multicapa. Separación entre salidas de 50mm. Rango de temperatura 5÷110°C. Presión máxima de trabajo 10bar.

NOTAS

Para el equilibrado de circuitos utilizar la llave R558 o la llave R558N.

Para la conexión a tubo utilizar los adaptadores R178, R179 o R179AM.

R553V

CÓDIGO	MEDIDA	€/ud	□	⊞
R553VY002	1"x18 /2	44,40	1	6
R553VY003	1"x18 /3	64,05	1	6
R553VY004	1"x18 /4	85,00	1	2
R553VY005	1"x18 /5	105,50	1	3
R553VY006	1"x18 /6	126,50	1	3
R553VY007	1"x18 /7	147,55	1	4
R553VY008	1"x18 /8	169,25	1	3
R553VY009	1"x18 /9	194,05	1	4
R553VY010	1"x18 /10	212,80	1	3
R553VY011	1"x18 /11	234,35	1	3
R553VY012	1"x18 /12	255,25	1	4
R553VY022	1" 1/4x18 /2	46,80	1	5
R553VY023	1" 1/4x18 /3	68,40	1	2
R553VY024	1" 1/4x18 /4	91,55	1	2
R553VY025	1" 1/4x18 /5	114,50	1	2
R553VY026	1" 1/4x18 /6	137,25	1	2
R553VY027	1" 1/4x18 /7	161,45	1	3
R553VY028	1" 1/4x18 /8	184,60	1	3
R553VY029	1" 1/4x18 /9	216,10	1	3
R553VY030	1 1/4"x18 /10	238,95	1	3
R553VY031	1 1/4"x18 /11	263,20	1	3
R553VY032	1 1/4"x18 /12	290,55	1	3



Colector de distribución, de retorno, con válvula de corte accionada por volante manual. Posibilidad de instalar cabezales electrotérmicos. Conexión para tubo de cobre, plástico o multicapa. Separación entre salidas de 50mm. Rango de temperatura 5÷110°C. Presión máxima de trabajo 10bar.

NOTAS

El control eléctrico todo/nada de los circuitos puede realizarse quitando los volantes manuales y montando los cabezales electrotérmicos R473, R478 o R478M.

Para la conexión a tubo utilizar los adaptadores R178, R179 o R179AM.

> CAJAS Y SOPORTES PARA COLECTOR

R500

CÓDIGO	MEDIDA	€/ud	□	⊞
R500Y101	400x460x110	88,90	1	-
R500Y102	600x460x110	101,30	1	-
R500Y103	800x460x110	122,70	1	-
R500Y104	1000x460x110	135,55	1	-



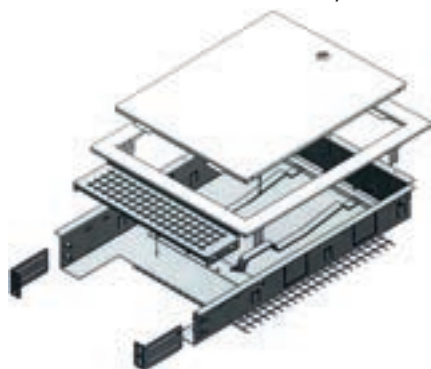
Caja metálica para empotrar en acero electrozincado, con puerta y marco en acero pintado.
Puerta con cierre por llave.

NOTAS

Las dimensiones útiles netas corresponden con:
Largo x Alto x Profundidad

R500-2

CÓDIGO	MEDIDA	€/ud	□	⊞
R500Y221	400x650x85	123,60	1	-
R500Y222	600x650x85	139,40	1	-
R500Y223	800x650x85	165,05	1	-
R500Y224	1000x650x85	189,25	1	-
R500Y225	1200x650x85	217,05	1	-



Caja metálica para empotrar de profundidad y altura regulable, en acero electrozincado. Formado por:
- Puerta y marco en acero pintado.
- Soporte de suelo regulable en altura.
- Red metálica para enlucido.
- Puerta con cierre por llave.

NOTAS

Utilizar en combinación con colectores montados en soporte R588Z.

Las dimensiones útiles netas corresponden con:
Largo x Alto x Profundidad

INFORMACION

Embalaje de espesor reducido (solo 10cm) para reducción de espacio y protección contra daños en transporte.
Montaje rápido y sencillo en obra.

R501

CÓDIGO	MEDIDA	€/ud	□	⊞
R501Y001	400x700x110	115,50	1	-
R501Y002	600x700x110	136,45	1	-
R501Y003	800x700x110	168,00	1	-
R501Y004	1000x700x110	196,75	1	-



Caja metálica vista para colectores, en acero pintado al horno.

NOTAS

Medidas 800 y 1000 con doble puerta.

R502

CÓDIGO	MEDIDA	€/ud	□	⊞
R502Y001	400x630x110	170,30	1	-
R502Y002	600x630x110	196,45	1	-
R502Y003	800x630x110	230,25	1	-
R502Y004	1000x630x110	255,30	1	-



Caja metálica empotrable para colectores, en acero pintado al horno. Soporte regulable.

NOTAS

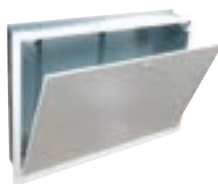
Medidas 800 y 1000 con doble puerta.

R557I

CÓDIGO	MEDIDA	€/ud	□	⊞
R557Y051	850x605x150	419,25	1	-
R557Y052	1000x605x150	471,35	1	-
R557RY075	850x605x110	274,65	1	-
R557RY076	1000x605x110	308,10	1	-
R557RY077	1200x605x110	350,60	1	-

MARCO + PUERTA

CÓDIGO	MEDIDA	€/ud	□	⊞
R557Y061	850x605	173,45	1	-
R557Y062	1000x605	196,00	1	-
R557Y063	1200x605	225,00	1	-



Caja metálica para empotrar en acero electrozincado, con puerta y marco en acero pintado.

Puerta con cierre por llave.

Compatible con colectores R557, R557F, R557R-2 y R559N.

NOTAS

Las dimensiones útiles netas corresponden con: Largo x Alto x Profundidad

R557Y051: para R557, R557F de 2 a 7 salidas.

R557Y052: para R557, R557F de 8 a 12 salidas.

R557RY075: para R557R-2 de 4 a 5 salidas / R559N de 4 salidas.

R557RY076: para R557R-2 de 6 a 8 salidas / R559N de 5 a 7 salidas.

R557RY077: para R557R-2 de 9 a 12 salidas / R559N de 8 a 12 salidas.

R510

CÓDIGO	MEDIDA	€/ud	□	⊞
R510Y001	400	45,40	1	-
R510Y002	600	59,70	1	-
R510Y003	800	69,10	1	-
R510Y004	1000	78,90	1	-



Soporte de suelo para caja R500, en acero pintado.

NOTAS

Las dimensiones útiles netas corresponden con: Largo x Alto x Profundidad

R509

PARA R500

CÓDIGO	MEDIDA	€/ud	□	⊞
R509Y101	400	79,40	1	-
R509Y102	600	86,20	1	-
R509Y103	800	120,20	1	-
R509Y104	1000	124,75	1	-

PARA R500-2

CÓDIGO	MEDIDA	€/ud	□	⊞
R509Y221	400	50,45	1	-
R509Y222	600	79,85	1	-
R509Y223	800	93,80	1	-
R509Y224	1000	86,80	1	-
R509Y225	1200	100,25	1	-



Puerta y marco en acero pintado para cajas R500-2 y R500.

Puerta con cierre por llave.

R584E

CÓDIGO	MEDIDA	€/ud	□	⊞
R584EY001	335x280x85	23,20	1	-

ACCESORIOS

CÓDIGO	MEDIDA	€/ud	□	⊞
R588MY001	DN25	2,45	1	-



Caja de plástico con tapa. Completa de Kit de sujeción de colectores.

Válida para colectores R580 y R585.

R588MY001 Brida de sujeción para colectores modulares DN25 en caja R584E

R584

CÓDIGO	MEDIDA	€/ud	□	⊞
R584Y101	332x272x86	34,20	1	-
R584Y102	412x272x86	38,00	1	-
R584Y103	512x272x86	51,75	1	-
R584Y104	612x272x86	61,55	1	-



Caja de plástico con tapa. Completa de Kit de sujeción de colectores.
Válida para colectores de 3/4" o 1" de la serie R580, R551, R580C, R585C, modulares DN25 y R587B.

R599

CÓDIGO	MEDIDA	€/ud	□	⊞
R599Y001	417x304x90	36,85	1	-
ACCESORIOS (SOPORTES)				
CÓDIGO	MEDIDA	€/ud	□	⊞
R598KY001	3/4"x16	1,95	1	10
R598KY002	1"x16	1,95	1	10



Caja de plástico con marco y puerta. Cierre de puerta rápido, sin necesidad de tornillos.
Válida para colectores R580C y R585C.

INFORMACION

El código de los soportes R598K se refiere a soporte alto + soporte bajo.
La caja no incluye los soportes. Pedir por separado.

R595

CÓDIGO	MEDIDA	€/ud	□	⊞
R595AY001	370x300x90	28,95	1	-
R595BY001	520x300x90	37,50	1	-
R595CY001	670x300x90	47,15	1	-
ACCESORIOS (SOPORTES)				
CÓDIGO	MEDIDA	€/ud	□	⊞
R598Y003	R580/R585 3/4"xb16	5,35	-	-
R598Y004	R580/R585 1"xb16 MODULARES DN25	5,55	1	10
R598Y007	R580/R585 3/4"	1,95	1	10



Caja de plástico con tapa.
Válida para colectores en barra de 3/4" o 1" (separación 35mm), componibles R580C y R585C, modulares DN25 y R587B.

INFORMACION

El código de los soportes R598 se refiere a soporte alto + soporte bajo.
La caja no incluye los soportes. Pedir por separado.

R595T

CÓDIGO	MEDIDA	€/ud	□	⊞
R595TY001	-	38,20	1	10



Marco metálico regulable para instalar tapa de plástico R595P sobre hueco de colector.

R595P

CÓDIGO	MEDIDA	€/ud	□	⊞
R595PY001	370x300	12,45	1	10
R595PY002	520x300	17,90	1	10
R595PY003	670x300	21,80	1	10



Tapa de plástico para caja R595 o para cubrir hueco de colector, sobre marco R595T. Incluye tornillos de fijación.

R588D

CÓDIGO	MEDIDA	€/ud		
R588DY001	DN32	9,55	1	20

Soporte metálico para colector modular DN32.
Compatible con caja R500.
Incluye aislamiento en abrazaderas.



R588F

CÓDIGO	MEDIDA	€/ud		
R588FY001	DN32	10,30	1	25

Soporte metálico regulable para colector modular DN32.
Compatible con caja R559I.
Incluye aislamiento en abrazaderas.



R588

CÓDIGO	MEDIDA	€/ud		
R588Y001	Col. Simples	5,95	2	20

Soporte metálico para colector R553D, R553F.
Compatible con caja R500.
Incluye aislamiento en abrazaderas.



R588E

CÓDIGO	MEDIDA	€/ud		
R588EY001	Col. Simples	9,45	1	20

Soporte metálico reforzado para colector R553D, R553F.
Compatible con caja R500.
Incluye aislamiento en abrazaderas.



R588L

CÓDIGO	MEDIDA	€/ud		
R588LY001	Col. Simples	6,30	1	25

Soporte metálico regulable para colector R557, R557F.
Compatible con caja R557I.
Incluye aislamiento en abrazaderas.



R588S

CÓDIGO	MEDIDA	€/ud		
R588SY001	Col. Simples	2,00	1	200

Soporte metálico regulable para colector R557, R557F.
Compatible con caja R557I.
Incluye aislamiento en abrazaderas.



R588R

CÓDIGO	MEDIDA	€/ud		
R588RY011	77 mm	23,30	1	10
R588RY010	35 mm	23,35	1	10

Soporte metálico para colector en caja R557I.
Incluye aislamiento en abrazaderas.



NOTAS

R588RY010: Soporte bajo para caja con profundidad 110mm.

R588RY011: Soporte alto para compensar el colector de retorno en caja de profundidad 150mm.

R588H

CÓDIGO	MEDIDA	€/ud		
R588HY001	-	7,60	1	50

Sujeción para soportes R588F y R588L en caja R500.



R588Z

CÓDIGO	MEDIDA	€/ud		
R588ZY001	3/4-1-11/4	10,60	1	50

Soporte metálico rebajado para colector R553D, R553F.
Compatible con caja R500-2.
Incluye aislamiento en abrazaderas.



R583

CÓDIGO	MEDIDA	€/ud		
R583Y004	3/4"	3,40	2	50
R583Y005	1"	3,95	2	50

Soporte metálico para colector R580 o modular DN25.
Fijación a muro. No compatible con caja metálica.
Incluye aislamiento en abrazaderas.



R588P

CÓDIGO	MEDIDA	€/ud		
R588PY004	1 1/2" - 2"	27,55	1	10

Soporte metálico regulable para colector de 1 1/2", 2".
Fijación a muro. No compatible con caja metálica.
Incluye aislamiento en abrazaderas.



> ACCESORIOS PARA COLECTOR

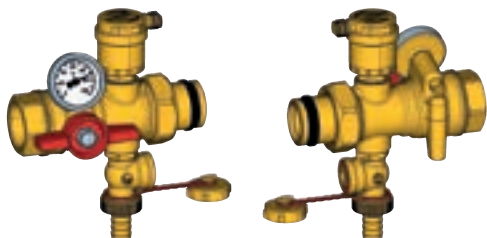
R269T

CÓDIGO	MEDIDA	€/ud	□	⊞
R269TY035	1"	127,40	1	5
R269TY036	1" 1/4	157,75	1	5

ENTRADA IZQUIERDA

FRONTAL

TRASERA



ENTRADA DERECHA

FRONTAL

TRASERA



LEYENDA

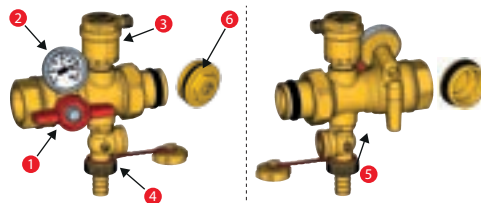
- 1 Válvula de corte a esfera
- 2 Termómetro de contacto
- 3 Regulador automático de aire con válvula de interceptación con autojunta.
- 4 Grifo de carga/descarga de la instalación, con autojunta.
- 5 Vaina para sonda de inmersión Ø6mm
- 6 Par de tapones terminales R592D, con autojunta.

Conjunto de válvulas multifunción para colector de impulsión y retorno. Conexión macho-hembra. Posibilidad de instalación reversible para entrada a colector. Formado por:

- Válvula de corte para impulsión (palomilla roja) y para retorno (palomilla azul).
- Enlace con junta plana en conexión intermedia y autojunta en unión a colector.
- Conexión porta sonda Ø6mm.
- Conexión porta manómetro.
- Termómetro de contacto con esfera de Ø40mm, escala 0÷120°C.
- Purgador automático con válvula de interceptación.
- Grifo de carga/descarga.
- Tapón terminal R592D para colector.

Rango de temperatura 5÷110°C.
Presión máxima de trabajo: 10bar

Presión máxima para purga en R88I (7bar).



INFORMACION

Solicitud de patente N° CO2011A000055.

R554A

CÓDIGO	MEDIDA	€/ud	□	⊞
R554AY001	1"x3/4"	23,15	1	25

Racor intermedio para colector con autojunta.

Formado por:

- Purgador automático de aire.
- Grifo de carga/descarga.

Rango de temperatura 5÷110°C.

Presión máxima de trabajo: 10bar

Presión máxima para purga en R88I (7bar).

R554B

CÓDIGO	MEDIDA	€/ud	□	⊞
R554BY004	3/4"	18,40	1	25
R554BY005	1"	18,75	1	25
R554BY006	1" 1/4	19,20	1	25

Terminal para colector con autojunta. Formado por:

- Purgador automático de aire.
- Grifo de carga/descarga.

Rango de temperatura 5÷110°C.

Presión máxima de trabajo: 10bar

Presión máxima para purga en R88I (7bar).



R554C

CÓDIGO	MEDIDA	€/ud	□	⊞
R554CY004	3/4"	14,00	1	25
R554CY005	1"	14,40	1	25
R554CY006	1" 1/4	14,60	1	25

Terminal para colector con autojunta. Formado por:

- Purgador manual de aire.
- Grifo de carga/descarga.

R554D

CÓDIGO	MEDIDA	€/ud	□	⊞
R554DY005	1"	40,10	1	20
R554DY006	1" 1/4	43,90	1	20

Racor intermedio para colector con autojunta.

Formado por:

- Purgador automático de aire.
- Grifo de carga/descarga.
- Termómetro de contacto con esfera de Ø40mm, escala 0÷80°C.
- Tapón terminal.

Rango de temperatura 5÷110°C.

Presión máxima de trabajo: 10bar

Presión máxima para purga en R88I (7bar).



R554I

CÓDIGO	MEDIDA	€/ud	☐	☒
R554IY004	3/4"	17,10	1	5
R554IY005	1"	17,85	1	5

Terminal compacto para colector, con autojunta. Formado por:

- Purgador automático de aire.
- Grifo de carga/descarga.

Rango de temperatura 5÷90°C.

Presión máxima para purga en R88I (7bar).



R590D

CÓDIGO	MEDIDA	€/ud	☐	☒
R590DY005	1"x1/2"x1/2"x3/8"	4,95	10	100
R590DY006	1 1/4"x1/2"x1/2"x3/8"	5,75	10	100

Terminal para colector con triple conexión con autojunta.



R591D

CÓDIGO	MEDIDA	€/ud	☐	☒
R591DY004	3/4"x1/2"x3/8"	3,45	10	100
R591DY005	1"x1/2"x3/8"	3,85	10	100
R591DY006	1" 1/4x1/2"x3/8"	4,65	10	100

Terminal para colector con doble conexión radial con autojunta.



R591F

CÓDIGO	MEDIDA	€/ud	☐	☒
R591FY005	1"x1/2"x1/2"	6,15	1	100

Terminal para colector con doble conexión radial.



R594

CÓDIGO	MEDIDA	€/ud	☐	☒
R594Y001	1/2"	1,13	50	500
R594Y002	24/19 (base 16)	1,13	25	250
R594Y003	26/19 (base 18)	1,29	25	250
R594Y004	1"	2,45	25	250
R594Y005	3/4"	2,15	1	500

Tapa conexión hembra para colectores.



R592D

CROMADAS

CÓDIGO	MEDIDA	€/ud	☐	☒
R592DX005	1"	2,75	25	250
R592DX006	1" 1/4	4,05	25	200

NO CROMADAS

CÓDIGO	MEDIDA	€/ud	☐	☒
R592DY005	1"	2,65	25	250
R592DY006	1" 1/4	4,00	25	200

Tapón terminal para colector, en latón, con autojunta.



R592

CROMADAS

CÓDIGO	MEDIDA	€/ud	☐	☒
R592X004	3/4"	1,54	1	-
R592X005	1"	1,90	1	-
R592X006	1" 1/4	2,95	1	-

NO CROMADAS

CÓDIGO	MEDIDA	€/ud	☐	☒
R592Y004	3/4"	1,42	1	-
R592Y005	1"	2,20	1	-
R592Y006	1" 1/4	2,70	1	-
R592Y007	1" 1/2	5,10	1	-
R592Y008	2"	9,40	1	-

Tapón terminal para colector, en latón.



R93

CROMADAS

CÓDIGO	MEDIDA	€/ud	☐	☒
R93X006	1/2"M x 3/8"H	2,75	25	250
R93X003	3/4"M x 1/2"H	1,80	20	200
R93X011	1"M x 3/4"H	3,95	25	250
R93X014	1 1/4"M x 1"H	4,10	20	200

NO CROMADAS

CÓDIGO	MEDIDA	€/ud	☐	☒
R93Y003	3/4"M x 1/2"H	2,00	20	200
R93Y005	1/2"M x 1/4"H	4,80	25	500
R93Y006	1/2"M x 3/8"H	3,25	25	250
R93Y007	3/4"M x 3/8"H	5,10	20	200
R93Y010	1"M x 1/2"H	3,55	20	200
R93Y011	1"M x 3/4"H	2,80	25	250
R93Y012	1 1/4"M x 1/2"H	5,00	10	100
R93Y013	1 1/4"M x 3/4"H	4,50	10	100
R93Y014	1 1/4"M x 1"H	3,80	20	200
R93Y017	1 1/2"M x 1"H	7,55	10	100
R93Y018	1 1/2"M x 1 1/4"H	7,55	5	50
R93Y020	2" x 1 1/4"F	14,65	5	50
R93Y019	2"M x 1 1/2"H	12,90	5	50

Reducción macho-hembra para colector, en latón.



R593D

CÓDIGO	MEDIDA	€/ud	☐	☒
R593DY001	3/4"M x 3/8"H	2,10	50	500
R593DY002	3/4"M x 1/2"H	2,35	25	250
R593DY003	1"M x 3/8"H	2,60	25	250
R593DY004	1"M x 1/2"H	2,55	25	250
R593DY005	1"M x 3/4"H	2,80	25	250
R593DY006	1 1/4"M x 1/2"H	3,55	20	200
R593DY007	1 1/4"M x 3/4"H	3,95	10	100
R593DY008	1 1/4"M x 1"H	4,80	10	100

Reducción macho-hembra para colector, en latón, con autojunta.



R593

CROMADAS

CÓDIGO	MEDIDA	€/ud	☐	☒
R593X002	3/4"M x 1/2"H	1,65	50	500
R593X007	1 1/4"M x 3/4"H	3,15	20	200

NO CROMADAS

CÓDIGO	MEDIDA	€/ud	☐	☒
R593Y001	3/4"M x 3/8"H	1,43	50	500
R593Y002	3/4"M x 1/2"H	1,53	50	500
R593Y003	1"M x 3/8"H	2,00	25	250
R593Y004	1"M x 1/2"H	2,05	25	250
R593Y005	1"M x 3/4"H	2,05	25	250
R593Y006	1 1/4"M x 1/2"H	3,45	20	200
R593Y008	1 1/4"M x 1"H	3,65	10	100

Reducción macho-hembra para colector, en latón, sin autojunta.



R189D

CÓDIGO	MEDIDA	€/ud	□	⊞
R189DY003	1/2"	2,60	25	250
R189DY004	3/4"	3,05	25	250
R189DY005	1"	3,95	20	200
R189DY006	1" 1/4	5,45	10	100

Manguito recto, en latón, con autojunta.



R189

CÓDIGO	MEDIDA	€/ud	□	⊞
R189Y003	1/2"	1,35	50	500
R189Y004	3/4"	2,25	25	250
R189Y005	1"	2,85	20	200
R189Y006	1" 1/4	4,90	10	100
R189Y007	1" 1/2	5,50	5	50

Manguito recto, en latón, sin autojunta.



R580I

CÓDIGO	MEDIDA	€/ud	□	⊞
R580IY004	3/4"x16x3/4"	9,10	5	50
R580IY005	1"x16x1"	9,75	5	50

Racor hembra-hembra. Conexión para adaptador de tubo de cobre, plástico o multicapa.

Rango de temperatura 5÷110°C.
Presión máxima de trabajo: 16bar.



R530

CÓDIGO	MEDIDA	€/ud	□	⊞
R530X003	1/2"	5,65	1	-

Racor cromado de 1/2" con conexión frontal de 3/8" para termómetro R540.



R531

CÓDIGO	MEDIDA	€/ud	□	⊞
R531Y003	18	4,35	1	-

Racor base 18 con conexión frontal de 3/8" para termómetro R540.



R540

CÓDIGO	MEDIDA	€/ud	□	⊞
R540Y002	3/8" (0°-80°C)	25,35	1	240
R540Y003	1/2" (0°-120°C)	25,35	1	50
R540Y021	3/8" (0°-120°C)	17,10	1	240
R540Y015	(0°-120°C) p/R269T	9,50	1	240

Termómetro con vaina. Conexión posterior.

R540Y002: Escala de 0÷80°C.
R540Y003: Escala de 0÷120°C.



R532

CÓDIGO	MEDIDA	€/ud	□	⊞
R532Y001	3/8" x18	22,05	1	-

Medidor de caudal para colector de retorno R553V. Escala 1÷4 l/min.



P78M

CÓDIGO	MEDIDA	€/ud	□	⊞
P78MY001	-	2,75	1	-

Medidor de caudal para sustitución en colector de impulsión R53M, R553M, R553F, R557F, R557R y R559. Escala de 0,5l/min a 5 l/min



R522

CÓDIGO	MEDIDA	€/ud	□	⊞
R522Y001	-	4,90	1	-

Juego de etiquetas adhesivas para colectores.



R553W-2

CÓDIGO	MEDIDA	€/ud	□	⊞
R553WY001	1"	56,75	1	-
R553WY005	1 1/4"	56,75	1	-
R553WY003	1"	56,75	1	-
R553WY007	1 1/4"	56,75	1	-

Conjunto de aislamiento para impulsión y retorno de colectores R553D y R553F o modulares DN32 con máximo de 12 salidas.



NOTAS

R553WY001: Para colector en barra R553F de 1", máximo 12 salidas.

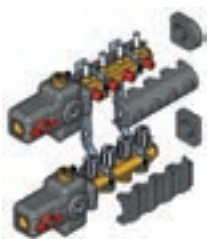
R553WY003: Para colector en barra R553D de 1", máximo 12 salidas.

R553WY005: Para colector en barra R553F de 1 1/4" o modulares R53MM, R53MT, R53VM, R53VT de 1" y 1 1/4", máximo 12 salidas.

R553WY007: Para colector en barra R553D de 1 1/4" o modulares R53SM, R53ST, R53VM, R53VT de 1" y 1 1/4", máximo 12 salidas.

R553W

CÓDIGO	MEDIDA	€/ud	☐	☒
R553WY002	1"	47,00	1	-
R553WY006	1 1/4"	50,45	1	-
R553WY004	1"	47,00	1	-
R553WY008	1 1/4"	50,45	1	-
R553WY012	1"	49,85	1	-
R553WY016	1 1/4"	49,85	1	-
R553WY014	1"	49,85	1	-
R553WY018	1 1/4"	49,85	1	-



Conjunto de aislamiento formado por:
 - 2 coquillas aislantes para grupo intermedio R554D con válvula de esfera R259D o en alternativa para válvula multifunción R269T.
 - Aislamiento para tapón terminal.

NOTAS

R553WY002: Coquilla de aislamiento para grupo intermedio R554D + válvula de esfera R259D, tapón terminal para colector en barra R553F de 1" o colector modular R53MT + R53VT de 1".

R553WY004: Coquilla de aislamiento para grupo intermedio R554D + válvula de esfera R259D, tapón terminal para colector en barra R553D de 1" o colector modular R53ST + R53VT de 1".

R553WY006: Coquilla de aislamiento para grupo intermedio R554D + válvula de esfera R259D, tapón terminal para colector en barra R553F de 1 1/4" o colector modular R53MT + R53VT de 1 1/4".

R553WY008: Coquilla de aislamiento para grupo intermedio R554D + válvula de esfera R259D, tapón terminal para colector en barra R553D de 1 1/4" o colector modular R53ST + R53VT de 1 1/4".

R553WY012: Coquilla de aislamiento para válvula multifunción R269T y tapón terminal para colector en barra R553F de 1" o colector modular R53MT + R53VT de 1".

R553WY014: Coquilla de aislamiento para válvula multifunción R269T y tapón terminal para colector en barra R553D de 1" o colector modular R53ST + R53VT de 1".

R553WY016: Coquilla de aislamiento para válvula multifunción R269T y tapón terminal para colector en barra R553F de 1 1/4" o colector modular R53MT + R53VT de 1 1/4".

R553WY018: Coquilla de aislamiento para válvula multifunción R269T y tapón terminal para colector en barra R553D de 1 1/4" o colector modular R53ST + R53VT de 1 1/4".

R557W

CÓDIGO	MEDIDA	€/ud	☐	☒
R557WY025	1"	101,35	1	-

Aislamiento el poliuretano expandido para colector premontado a punto fijo R557R-2.



R559W

CÓDIGO	MEDIDA	€/ud	☐	☒
R559WY005	1"	112,55	1	-

Aislamiento el poliuretano expandido para colector premontado con regulación electrónica R559N.



R551W

CÓDIGO	MEDIDA	€/ud	☐	☒
R551WY005	3/4"	32,20	1	-
R551WY009	1"	17,70	1	-
R551WY006	1 1/4"	35,50	1	-
R551WY007	1 1/2"	18,25	1	-
R551WY008	2"	19,50	1	-

Conjunto de aislamiento para colector R551.

NOTAS

"R553WY005: aislamiento para colector R551 de 3/4", de 12 salidas y separación entre ejes 50mm.

R553WY009: aislamiento para colector R551 de 1", de 6 salidas y separación entre ejes 50mm.

R553WY006: aislamiento para colector R551 de 1 1/4", de 12 salidas y separación entre ejes 70mm.

R553WY007: aislamiento para colector R551 de 1 1/2", de 6 salidas y separación entre ejes 100mm.

R553WY008: aislamiento para colector R551 de 2", de 6 salidas y separación entre ejes 100mm.



> RECAMBIOS PARA COLECTOR

P10S

CÓDIGO	MEDIDA	€/ud	□	⊞
P10SY001	1"x18	6,25	1	-
P10SY002	1"1/4x18	6,45	1	-

Cuerpo de detentor para colector R553S.



P10V

CÓDIGO	MEDIDA	€/ud	□	⊞
P10VY001	1"x18	13,15	1	-
P10VY002	1"1/4x18	13,10	1	-
P10VY011	1"x18	14,25	1	-
P10VY012	1"1/4x18	14,25	1	-

Cuerpo de válvula para colector R553V.



NOTAS

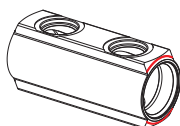
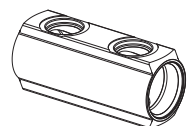
Ver imagen siguiente para identificar el código necesario según antigüedad del colector.

MODELO VIEJO: P10VY001, P10VY002
MODELO NUEVO: P10VY011, P10VY012

COLECTOR

MODELO VIEJO

MODELO NUEVO



P553FP

CÓDIGO	MEDIDA	€/ud	□	⊞
P553PY001	módulo entrada + clip	15,15	1	-
P553PY004	módulo tapón + clip	11,55	1	-
P553PY008	impulsión con caudalímetro+clip	17,35	1	-
P553PY009	retorno con válvula + clip	18,55	1	-
P553PY020	clip rojo impulsión	1,19	1	-
P553PY021	clip azul retorno	1,19	1	-
P553PY022	clip negro entrada/tapón	1,19	1	-
P553PY023	clip negro salida base 18	0,49	1	-

Módulos y accesorios para colector en tecnopolímero modelo R553FP.



P76W

CÓDIGO	MEDIDA	€/ud	□	⊞
P76WIY013	1 1/2" -130mm	335,90	1	-

Bomba circuladora automodulante, con índice de eficiencia energética conforme a la directiva ErP 2009/125/CE.



R557A

CÓDIGO	MEDIDA	€/ud	□	⊞
R557AY006	1"x1/2"x1"x1/4"	12,15	1	-

Te para colector R557 con tapón de 1/2". Sin enlace.



R557B

CÓDIGO	MEDIDA	€/ud	□	⊞
R557BY005	1/2"x1"x1"	18,10	1	-

Te con tuerca para colector R557 con tapón de 1/2", con enlace.



R557D

CÓDIGO	MEDIDA	€/ud	□	⊞
R557DY005	1"x1"x1"	13,45	1	-

Te para colector R557 con tuerca y enlace.



R557P

CÓDIGO	MEDIDA	€/ud	□	⊞
R557PY005	1"x1"	7,25	1	-

Distanciador con autojunta.



P22

CÓDIGO	MEDIDA	€/ud	□	⊞
P22Y004	3/4"MFx1/2E	1,40	1	10

Volante con placa metálica reversible (roja o azul) para colector R58C.



> HERRAMIENTAS PARA COLECTOR

R131

CÓDIGO	MEDIDA	€/ud	□	⊞
R131Y003	27/29	27,60	1	-
R131Y004	29/30	34,10	1	-

Llave fija para adaptadores.

NOTAS

Llave de 27 para base 16.

Llave de 29 para base 18.



R558

CÓDIGO	MEDIDA	€/ud	□	⊞
R558Y001	-	3,95	1	-
R558NY001	-	18,95	1	-

Llave para accionamiento de detenedores del colector, para equilibrado de circuitos.



R73K

CÓDIGO	MEDIDA	€/ud	□	⊞
R73KY001	hex. 4	1,85	1	-

Llave para accionamiento de detenedores del colector R585, para equilibrado de circuitos.



R136

CÓDIGO	MEDIDA	€/ud	□	⊞
R136Y001	-	1,70	1	-

Llave para puerta de caja metálica de colector.



A piece of life



SISTEMA GX PARA DISTRIBUCIÓN SANITARIA, CALEFACCIÓN Y REFRIGERACIÓN

UN SISTEMA MULTIFUNCIÓN, FÁCIL DE INSTALAR, SEGURO Y SALUDABLE



GX - Giacomini Expansion System - asegura ahorro de tiempo y una instalación fiable e higiénica.

El concepto de conexión se basa en las propiedades elásticas del anillo expandido y tubería PEX que con memoria de forma, produce una unión más fuerte que la propia tubería.

Un nuevo sistema de marca que se une a la amplia gama de soluciones Giacomini y se convierte en parte de nuestra vida diaria. *Giacomini, a piece of life.*

Contabilización y repartidores de costes

> Repartidores de costes	168
> Módulos de usuario para contabilización directa	172
> Satélites de usuario para contabilización directa	178
> Kits y accesorios (Cajas, aislamientos y otros componentes)	184
> Contadores de energía térmica, contadores de agua sanitaria y sistema de centralización de datos	190
> Recambios	197



> REPARTIDORES DE COSTES



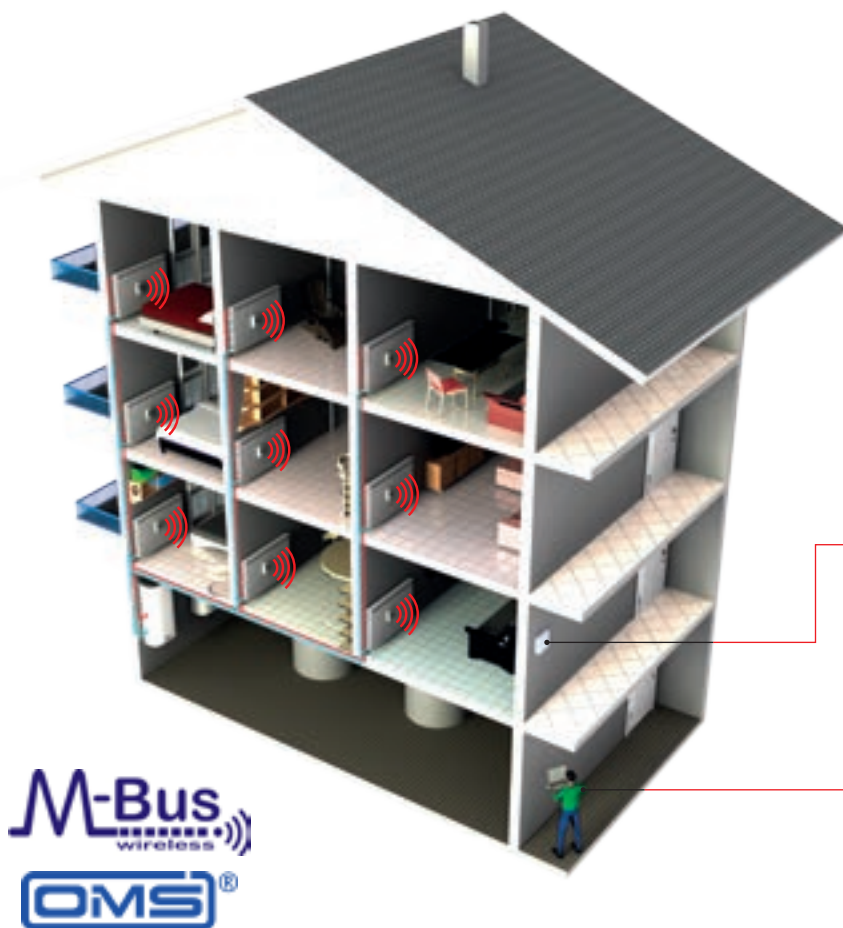
Repartidores de costes electrónicos para reparto de consumo



La contabilización de consumo térmico mediante el sistema de repartidores de costes electrónicos GE700 permite la requalificación de las instalaciones de radiadores con producción centralizada y distribución por columnas, adecuándolas a las normativas recientes de ahorro energético. Probablemente en un futuro se realizará la transposición total de la directiva europea 2012/27/UE sobre la eficiencia energética, que obligará a instalar sistemas de contabilización en cada vivienda para repartir los gastos de calefacción según consumo de cada usuario, mejorando así los sistemas de reparto de consumo precedentes y fomentando el ahorro de energía, que es su objetivo final. Esta contabilización de energía se complementa eficazmente con válvulas de radiador dotadas de cabezal termostático, que aportan confort al usuario, permitiéndole regular la temperatura de las distintas estancias de la vivienda y por tanto disminuir el consumo si así lo desea. La combinación de este tipo de contabilización con una termostatación adecuada incentiva a un comportamiento individual más responsable del uso de la energía.

La contabilización indirecta se basa en la evaluación de la energía consumida por el usuario a través de los datos recogidos por cada instrumento de medida, llamado repartidor de costes. Estos dispositivos miden indirectamente el consumo de cada radiador, analizando la diferencia de temperatura entre la superficie del radiador donde se instala y la temperatura ambiente. Con la información de todos los repartidores es posible realizar fácilmente una asignación proporcional de las distintas viviendas que componen el edificio. Los repartidores de costes están en conformidad con la norma EN 834 y se basan en el principio de funcionamiento a dos sensores de temperatura. Están dotados de

la posibilidad de transmitir los datos a distancia por radiofrecuencia a 868 MHz (banda europea ISM – Industrial, científica, médica) y de batería de larga duración. La amplia gama de suportación permite su montaje sobre todos los radiadores más comunes del mercado.

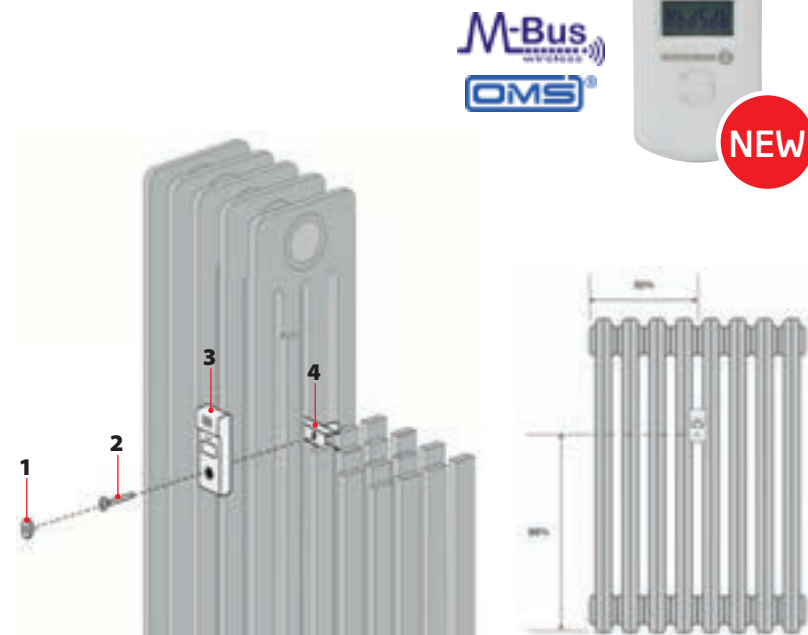


Los repartidores y dispositivos de gestión de datos están diseñados para transmisión de los mismos en modalidad wireless M-Bus a 868 MHz (banda europea ISM – Industrial, científica, médica). La lectura de consumos se puede realizar en dos modos: ① Centralizada de forma remota o ② “Walk-by”, por terminal móvil con asistencia de personal al edificio.



GE700

CÓDIGO	MEDIDA	€/ud	□	▣
GE700Y030	-	51,80	1	100
GE700Y033	con sensor a distancia	143,50	1	40



INSTALACIÓN DEL REPARTIDOR EN EL RADIADOR

El repartidor debe instalarse al 66% o 75% de la altura del radiador (todos a la misma altura) y a la mitad del mismo.

En el caso que el radiador tenga un número impar de elementos (numero par de espacios entre elementos) es imposible instalar el repartidor a la mitad de su longitud. Es necesario desplazarlo en el espacio más cercano de la mitad pero en el lado de impulsión.

Si el radiador tiene una longitud superior a 2,2m deberá considerarse como dos radiadores de longitud igual a la mitad del mismo.

LEYENDA

- 1 = Sello de seguridad
- 2 = Tornillo de fijación
- 3 = Repartidor
- 4 = Soporte

NOTAS

Control de fábrica en cada repartidor. Disponible documento de certificación de la precisión de conteo (según norma EN 834).

GE700Y033: Repartidor radio con sensor remoto.

Utilizar en situaciones donde no existe espacio para instalar el repartidor en el radiador o este último está instalado en espacio oculto.

Incluye sonda y kit de fijación del repartidor a pared.

Longitud del cable de la sonda a distancia: 2m.

Repartidor de costes vía radio para análisis de consumo térmico.

Certificado de conformidad con la norma EN 834.

Transmisión de datos Wireless M-Bus EN 13757 a 868MHz según estándar OMS.

Display de 6 cifras para lectura directa. Funcionamiento a dos sensores de temperatura, con conmutación automática a un sensor en condiciones críticas de análisis de temperatura.

Interfaz óptica para programación/lectura mediante llave de configuración correspondiente.

Sello y alarma antimanipulación con memorización de fecha. Memorización diaria de datos, con histórico mensual. Análisis histórico de consumos y temperatura media hasta 24 meses precedentes. Alimentación con batería de litio de duración estándar 10 años.

Precisión sensores: error $\leq 1\%$.

Rango de temperatura de calefacción (T^a mínima para inicio de conteo, T^a máxima): $21 \div 90^\circ\text{C}$.

T^a para inicio de conteo en modo verano: 38°C .

ΔT de conmutación 3K.

Potencia máxima de radiador: 12500W.

Frecuencia de transmisión de datos programable.

Potencia de transmisión $\leq 10\text{mW}$.

T^a de almacenamiento: $10 \div 30^\circ\text{C}$.

Open Metering System (OMS) es la única especificación en Europa que tiene como objetivo integrar instrumentos destinados a la medida de diversos elementos, garantizar su interoperabilidad y funcionalidad en un futuro. Los contadores de agua, de energía y los repartidores de costes que utilizan un estándar de comunicación abierto son intercambiables, independientemente del fabricante, y garantizan un nivel de seguridad y protección de máximo nivel.



GE700-1

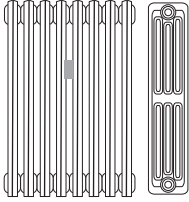
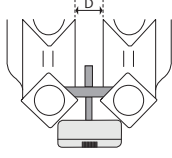
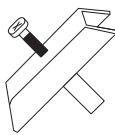
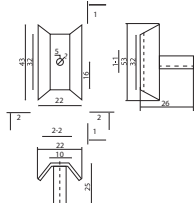
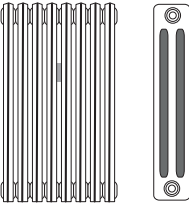
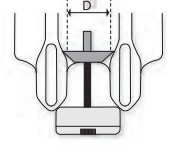
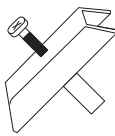
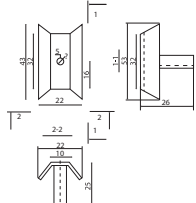
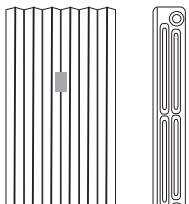
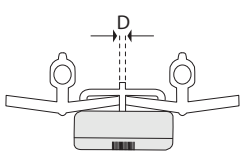
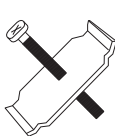
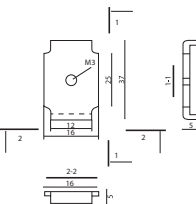
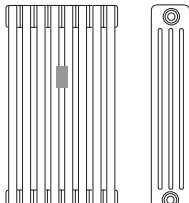
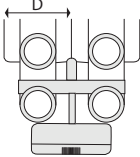
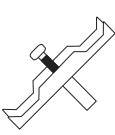
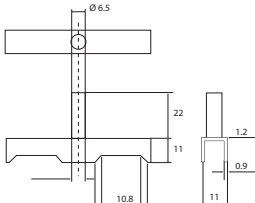
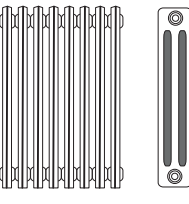
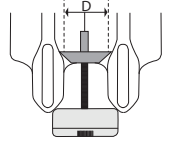
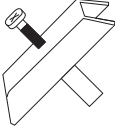
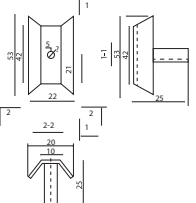
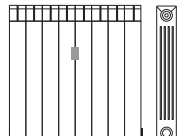
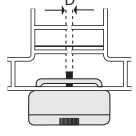


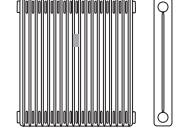
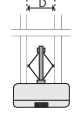

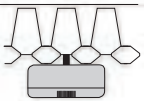
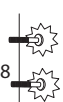
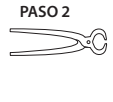
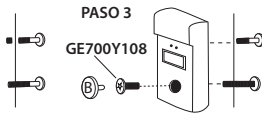
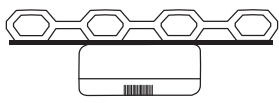
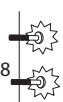

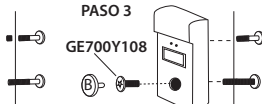
CÓDIGO	MEDIDA	€/ud	□	▣
GE700Y101	Fijación 43mm, tornillo M4x30	3,15	1	20
GE700Y102	Fijación 53mm, tornillo M4x30	3,15	1	20
GE700Y103	Fijación 55mm, tornillo M3x30	3,15	1	20
GE700Y104	Fijación 37mm, tornillo M3x30	3,15	1	20
GE700Y105	Fijación 67mm, tornillo M4x30	12,65	1	20
GE700Y106	SopORTE a expansión	13,65	20	100
GE700Y107	Tornillo de sujeción	0,25	1	20
GE700Y108	Tuerca para soldadura	1,09	1	20
GE700Y109	Llave para tuerca GE700Y108	82,70	1	-
GE700Y110	Placa suplementaria	7,75	1	-
GE700Y801	Soldador	5.694,90	1	-



Elemento de fijación de repartidores GE700.

Ver la tabla siguiente o consultar la documentación técnica específica

LEYENDA D= ESPACIO ENTRE ELEMENTOS; H= ALTURA; W= LONGITUD

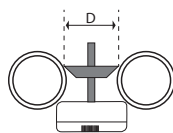
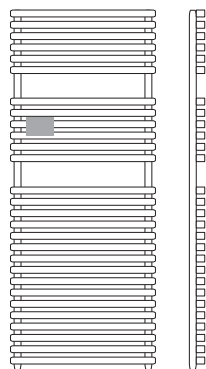
	TIPO DE RADIADOR		SOPORTE	
HIERRO FUNDIDO NEOCLASSICO				
		34 mm < D < 41 mm	GE700Y101	H=22 mm, W= 43mm, Vite M4-30
HIERRO FUNDIDO CON DIAFRAGMA				
		34 mm < D < 41 mm	GE700Y101	H=22 mm, W= 43mm, Vite M4-30
HIERRO FUNDIDO				
		3 mm < D < 10 mm	GE700Y104	H=16 mm, W= 25-37mm, Vite M3-30
TUBULAR EN ACERO				
		D=45-46 mm	GE700Y105	H=11 mm, W=67mm, Vite M4-30
ACERO CON DIAFRAGMA				
		44 mm < D < 51 mm	GE700Y102	H=22 mm, W=53mm, Vite M4-30
ALUMINIO				tornillo de sujeción roscado GE700Y107 + GE700Y104
		3 mm < D < 10 mm		
LAMINAR				A demanda
		D > 24 mm	GE700Y106	
A PANEL CON SUPERFICIE ACANALADA				PASO 1 tornillo de sujeción soldado GE700Y107 + tornillo GE700Y108
	Saldadura			PASO 2 
				PASO 3 GE700Y108
PANEL LISO				PASO 1 tornillo de sujeción soldado GE700Y107 + tornillo GE700Y108
	Saldadura			PASO 2 
				PASO 3 GE700Y108

LEYENDA D= ESPACIO ENTRE ELEMENTOS; H= ALTURA; W= LONGITUD

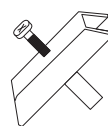
TIPO DE RADIADOR

SOPORTE

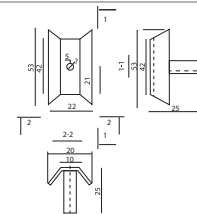
TOALLERO



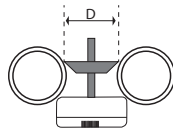
34 mm <math>< D < 41 \text{ mm}</math>



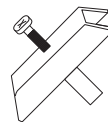
GE700Y101



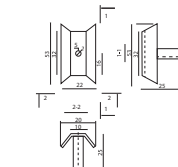
H=22 mm, W=43 mm, Vite M4-30



44 mm <math>< D < 51 \text{ mm}</math>

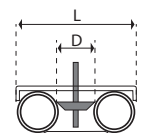
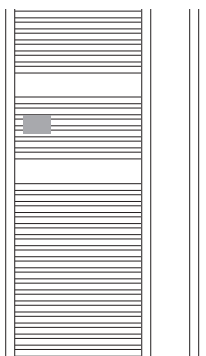


GE700Y102

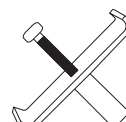


H=22 mm, W=53 mm, Vite M4-30

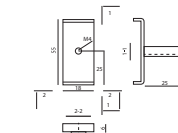
TOALLERO



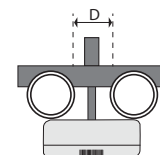
L <math>< 53 \text{ mm}</math>



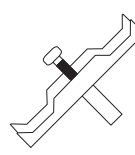
GE700Y103



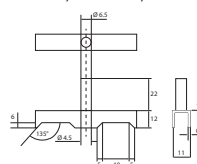
H=18 mm, W=55 mm, Vite M4-30



D=45-46 mm



GE700Y105



H=11 mm, W=67 mm, Vite M4-30

GE700-2

CÓDIGO	MEDIDA	€/ud	□	⊞
GE700Y150	Llave de programación	387,45	1	-
GESWY001	software	Consultar	1	-

El código del software se refiere a una única licencia de usuario.



Llave óptica para configuración de repartidores GE700. Conexión a puerto USB y programación por software mediante GESWY001.

GE552-W

NEW

CENTRALIZACIÓN WIRELESS M-BUS

La centralización wireless M-Bus (868MHz) es conforme a al estándar EN 13757. Los datos de consumo pueden transmitirse en modalidad remota o en modalidad walk-by.

MODALIDAD REMOTA

Los datos recibidos de la antena GE552Y053 son enviados al datalogger GE552Y052, que permite:

- Transmisión remota de datos de lectura a direcciones de correo electrónico programables.
- Gestión y visualización de datos de PC, smartphone o tablet, gracias al webserver integrado si se conecta a red GSM/GPRS.

Datalogger wireless

CÓDIGO	MEDIDA	€/ud	□	⊞
GE552Y052	-	2.015,95	1	25

Datalogger M-Bus / M-Bus Wireless para adquisición, elaboración, registro de datos procedentes de dispositivos M-Bus cableados o Wireless. Gestiona directamente hasta 500 dispositivos Wireless y 20 dispositivos cableados. Alimentación a 24V (transformador no incluido).



Antena repetidor de señal wireless

CÓDIGO	MEDIDA	€/ud	□	⊞
GE552Y053	-	1.017,15	1	25

Repetidor y concentrador Wireless para extender la señal radio de los dispositivos y para envío de datos al datalogger GE552Y052. Alimentación a 230V.



MODALIDAD WALK-BY

Datos enviados a PC, recepción obtenida por antena GE552Y043 conectada a puerta a USB.

Antena receptora de datos wireless

CÓDIGO	MEDIDA	€/ud	□	⊞
GE552Y043	-	1.073,70	1	-

Receptor de datos wireless para dispositivos instalados en edificio (repartidores, módulos wireless para contador). Conexión a PC por puerto USB. Alcance hasta 400m en espacio diáfano.



> MODULOS DE USUARIO PARA CONTABILIZACIÓN DIRECTA

GE555

STANDARD

CÓDIGO	ENLACE	DIMENSIONES CAJA (L x H x P) mm	EQUILIBRADO	GUIAS PARA AGUA SANITARIA	€/ud.	□	▣
GE555Y461	3/4"	500 x 500 x 110±160 mm	solo by-pass	2	317,10	1	-
GE555Y462	3/4"	600 x 600 x 110±160 mm	statico	3	412,35	1	-
GE555Y463	1"	600 x 600 x 110±160 mm	statico	3	463,95	1	-
GE555Y468	3/4"	600 x 600 x 110±160 mm	dinamico	3	626,30	1	-
GE555Y469	1"	600 x 600 x 110±160 mm	dinamico	3	710,35	1	-
GE555Y472	3/4"	-	solo by-pass con derivación doble	2	534,05	1	-


PARA COMPLETAR EL MÓDULO GE555 AÑADIR LOS SIGUIENTES COMPONENTES:

- Contador de energía térmica, serie GE552.
- Conjunto de material para contabilización de agua sanitaria y/o de servicio, serie GE550 o GE550-1.
- Actuador para control de válvula de zona, serie K270.
- Aislamiento, serie GE551-4.
- Componentes para centralización de datos vía M-bus, serie GE552-4, o Wireless M-Bus, serie GE552-W.

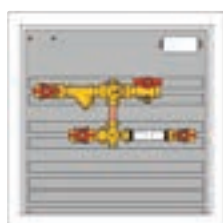
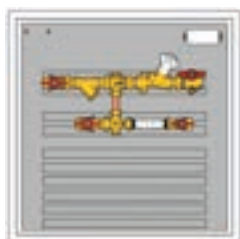
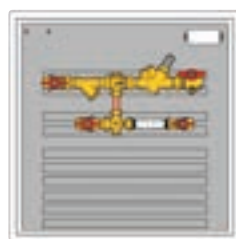
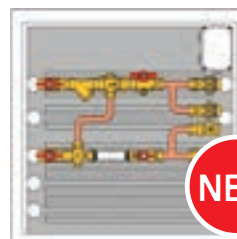
Módulo de usuario para instalación centralizada de calefacción y/o refrigeración.

Completo de:

- Válvula de corte a esfera.
- Válvula de zona motorizable.
- Espacio disponible para instalación de contador de energía térmica. El módulo se suministra con separador de plástico para puesta en marcha.
- Guías libres para instalación de kit de contabilización de agua sanitaria y/o de servicio.
- Caja eléctrica con bornas para conexión eléctrica.
- Caja en acero pintada al horno (RAL9010), puerta con cierre por llave y profundidad regulable.
- Racorería para conexión y fijación.

Temperatura máxima de trabajo 110°C (90°C con separador plástico suministrado de fábrica).

Presión máxima de trabajo 16bar (10bar con separador plástico suministrado de fábrica).


GE555Y461

**GE555Y462
GE555Y463**

**GE555Y468
GE555Y469**

GE555Y472

Complementos

GE552

CÓDIGO	ENLACE	Qn	CENTRALIZACIÓN	€/ud.	□	▣
GE552Y215	3/4"	0,6 m³/h	M-Bus/Wireless	270,50	1	20
GE552Y216	3/4"	1,5 m³/h	M-Bus/Wireless	270,50	1	20
GE552Y217	1"	2,5 m³/h	M-Bus/Wireless	303,95	1	20
GE552Y027	Tarjeta	-	Wireless M-Bus	63,35	1	-



Contador volumétrico de energía térmica, de doble registro, dispuesto para comunicación M-bus o Wireless M-bus.

K270

CÓDIGO	ALIMENTACIÓN	€/ud.	□	▣
K270Y101	230 V	110,30	1	-
K270Y102	24 V	115,00	1	-

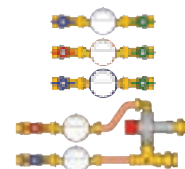


Actuador para válvula de zona, dotado de microinterruptor final de carrera.

Para el módulo GE555Y472 son necesarios 3 actuadores.

GE550 - GE550-1

CÓDIGO	ENLACE	€/ud.	□	▣
GE550Y004	3/4"	167,35	1	-
GE550Y005	1"	213,05	1	-
GE550Y014	3/4"	179,65	1	-
GE550Y015	1"	229,80	1	-
GE550Y008	3/4"	206,20	1	-
GE550Y024	3/4"	484,10	1	-



Conjunto de materiales para contabilización de agua sanitaria y/o de servicio.

GE551-4

CÓDIGO	MEDIDA	€/ud.	□	▣
GE551Y177	para GE555Y461	77,40	1	-
GE551Y178	para GE555Y462-3-4-8-9	103,55	1	-
GE551Y182	para GE555Y472	59,20	1	-



Aislamiento para conjuntos de contabilización.

GE555-1

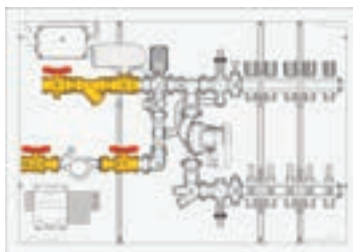
CON COLECTORES DE DISTRIBUCIÓN

CON MEZCLADORA

CÓDIGO	ENLACE	€/ud	□	⊞
GE550Y100	1"	147,55	1	-

Kit de contabilización para colector de distribución con regulación a punto fijo (serie R557R-2) compuesto por:

- Válvulas de corte.
- Filtro.
- Válvula de zona motorizable.
- Espacio para instalación de contador de energía térmica, mediante separador de plástico.



COMPONENTES COMPLEMENTARIOS EN GRIS CLARO

PARA UTILIZAR COMO MÓDULO DE USUARIO, DEBE COMPLETARSE EL KIT CON LOS SIGUIENTES COMPONENTES:

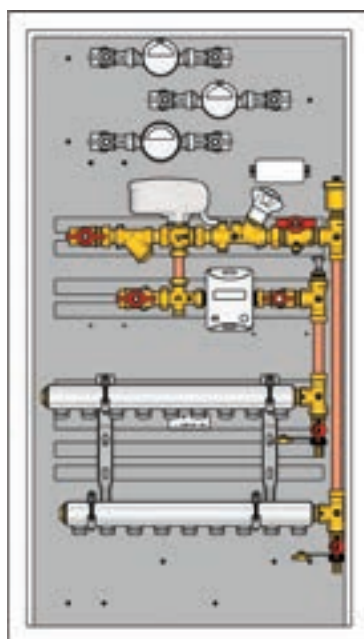
- Colector R557R-2.
- Contador de energía térmica, serie GE552.
- Actuador para válvula de zona, serie K270.
- Componentes para centralización de datos vía M-Bus, serie GE552-4, o vía Wireless M-Bus, serie GE552-W.

SIN MEZCLADORA

CÓDIGO	ENLACE	€/ud	□	⊞
GE555Y470	3/4"	623,55	1	-

Módulo de usuario para instalación centralizada de calefacción y refrigeración con colector de distribución instalable, compuesto por:

- Válvulas de corte a esfera.
- Válvula de zona motorizable.
- Espacio libre para instalación de kits de contabilización de agua sanitaria y/o de servicio.
- Espacio libre para instalación de contador de energía. Se suministra de fábrica con separador de plástico para puesta en marcha.
- Espacio libre para instalación de colector de distribución de 3/4" (tapones terminales incluidos).
- Caja eléctrica con bornas para conexión eléctrica.
- Vaina para sonda de temperatura de impulsión. Integrada en válvula de esfera.
- Caja en acero pintada al horno (RAL9010), puerta con cierre por llave y profundidad regulable.
- Dimensiones (LxAxP): 600x1100x110÷160mm.
- Temperatura máxima de trabajo 110°C (90°C con separador plástico suministrado de fábrica).
- Presión máxima de trabajo 16bar (10bar con separador plástico suministrado de fábrica).



COMPONENTES COMPLEMENTARIOS EN GRIS CLARO

PARA COMPLETAR EL MÓDULO GE555-1 COMBINAR LOS SIGUIENTES COMPONENTES:

- Contador de energía térmica, serie GE552.
- Kit de contabilización de agua sanitaria y/o de servicio, serie GE550.
- Colector de distribución con conexiones 3/4" separación 50mm, serie R551, R551S, R580 (máximo 9 salidas).
- Componentes para centralización de datos vía M-Bus, serie GE552-4, o vía Wireless M-Bus, serie GE552-W.

Complementos

GE552

CÓDIGO	ENLACE	Qn	CENTRALIZACIÓN	€/ud.	□	⊞
GE552Y215	3/4"	0,6 m³/h	M-Bus/Wireless	270,50	1	20
GE552Y216	3/4"	1,5 m³/h	M-Bus/Wireless	270,50	1	20
GE552Y217	1"	2,5 m³/h	M-Bus/Wireless	303,95	1	20
GE552Y027	Tarjeta	-	Wireless M-Bus	63,35	1	-

Contador volumétrico de energía térmica, de doble registro, dispuesto para comunicación M-bus o Wireless M-bus.



GE550

CÓDIGO	ENLACE	€/ud.	□	⊞
GE550Y004	3/4"	167,35	1	-
GE550Y005	1"	213,05	1	-
GE550Y014	3/4"	179,65	1	-
GE550Y015	1"	229,80	1	-
GE550Y008	3/4"	206,20	1	-

Stacchi di contabilizzazione acqua sanitaria e/o di servizio.



K270

CÓDIGO	ALIMENTACIÓN	€/ud.	□	⊞
K270Y101	230 V	110,30	1	-
K270Y102	24 V	115,00	1	-

Actuador para válvula de zona, dotado de microinterruptor final de carrera.



R551 - R551S - R580

Colectores de distribución con enlaces 3/4" y paso 50 mm (máximo 9).

Para ver las tablas de los colectores, consultar el capítulo 3



GE555-2

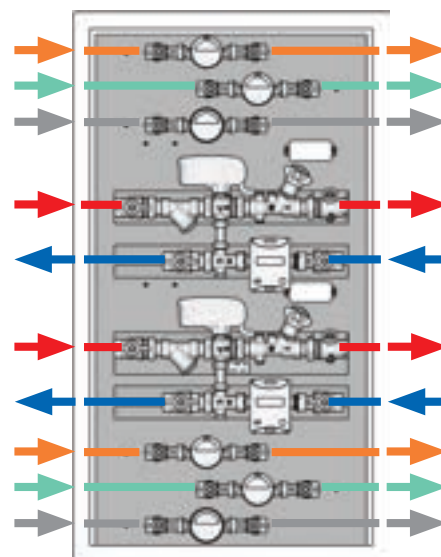
MULTIUSUARIO

PARA 2 VIVENDAS

CÓDIGO	ENLACES	VIVIENDAS	€/ud.	□	⊞
GE551Y040	3/4" o 1"	2	279,90	1	-

Caja metálica GE551Y040, utilizable como módulo multiusuario, compuesto por:

- Espacio libre para instalación de kits de contabilización de agua sanitaria y/o de servicio (máximo 6 kits).
 - Espacio libre para instalación de contador de energía (máximo 2 kits).
 - Caja eléctrica con bornas para conexión eléctrica.
- Dimensiones (LxAxP): 600x1100x110÷160mm.



COMPONENTES COMPLEMENTARIOS
EN GRIS CLARO

IDA PRIMARIO
RETORNO PRIMARIO
AGUA CALIENTE SANITARIA
AGUA FRÍA SANITARIA
AGUA DE SERVICIO

PARA UTILIZAR COMO MÓDULO MULTIUSUARIO DE 2 VIVIENDAS, COMBINAR CON LOS SIGUIENTES COMPONENTES:

- Kit de contabilización de energía térmica, serie GE550-2.
- Contador de energía térmica, serie GE552.
- Kit de contabilización de agua sanitaria y/o de servicio, serie GE550.
- Actuador para válvula de zona, serie K270.
- Aislamiento, serie GE551-4.
- Componentes para centralización de datos vía M-Bus, serie GE552-4, o vía Wireless M-Bus, serie GE552-W.

Complementos

GE552

CÓDIGO	ENLACE	Qn	CENTRALIZACIÓN	€/ud.	□	⊞
GE552Y215	3/4"	0,6 m³/h	M-Bus/Wireless	270,50	1	20
GE552Y216	3/4"	1,5 m³/h	M-Bus/Wireless	270,50	1	20
GE552Y217	1"	2,5 m³/h	M-Bus/Wireless	303,95	1	20
GE552Y027	Tarjeta	-	Wireless M-Bus	63,35	1	-



Contador volumétrico de energía térmica, de doble registro, dispuesto para comunicación M-bus o Wireless M-bus.

K270

CÓDIGO	ALIMENTACIÓN	€/ud.	□	⊞
K270Y101	230 V	110,30	1	-
K270Y102	24 V	115,00	1	-



Actuador para válvula de zona, dotado de microinterruptor final de carrera.

GE551-4

CÓDIGO	MEDIDA	€/ud.	□	⊞
GE551Y177	para GE555Y166	77,40	1	-
GE551Y178	para GE550Y167-68-69-70-71	103,55	1	-



Aislamiento para conjuntos de contabilización.

GE550

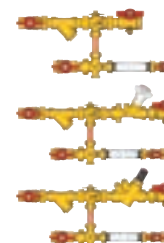
CÓDIGO	ENLACE	€/ud.	□	⊞
GE550Y004	3/4"	167,35	1	-
GE550Y005	1"	213,05	1	-
GE550Y014	3/4"	179,65	1	-
GE550Y015	1"	229,80	1	-
GE550Y008	3/4"	206,20	1	-



Conjunto de materiales para contabilización de agua sanitaria y/o de servicio.

GE550-2

CÓDIGO	ENLACE	EQUILIBRADO	€/ud.	□	⊞
GE550Y166	3/4"	NO	167,85	1	-
GE550Y167	1"	NO	238,05	1	-
GE550Y168	3/4"	Estatico	220,90	1	-
GE550Y169	1"	Estatico	270,40	1	-
GE550Y170	3/4"	Dinámico	321,95	1	-
GE550Y171	1"	Dinámico	476,25	1	-



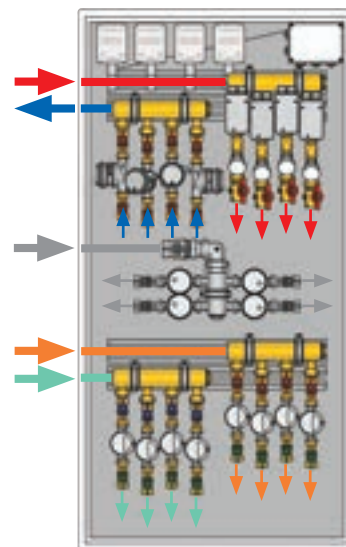
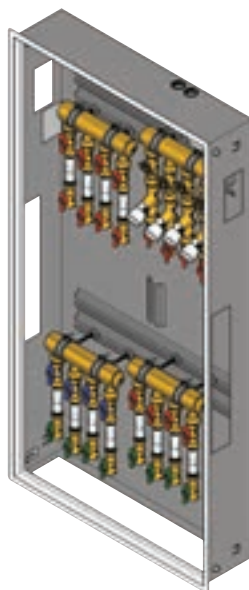
Kits de contabilización de energía térmica.

PARA 3 O 4 VIVIENDAS

CÓDIGO	ENLACES	VIVIENDAS	€/ud.	CL	☐	☒
GE55Y135	1 1/4" x 3/4"	3	1.534,50	GE	-	-
GE55Y136	1 1/4" x 3/4"	4	1.694,50	GE	-	-

Módulo multiusuario para instalación centralizada de calefacción y/o refrigeración, compuesto por:

- 3 o 4 guías libres para instalación de kits de contabilización de agua sanitaria y/o de servicio.
 - 3 o 4 guías libres para instalación de contador de energía.
 - Espacio libre para instalación de kit multiusuario (4 conexiones) para agua de servicio.
 - Caja eléctrica con bornas para conexión eléctrica.
- Dimensiones (LxAxP): 750x1500x190mm.



COMPONENTES COMPLEMENTARIOS
EN GRIS CLARO

IDA PRIMARIO
RETORNO PRIMARIO
AGUA CALIENTE SANITARIA
AGUA FRIA SANITARIA
AGUA DE SERVICIO

PARA COMPLETAR EL MÓDULO MULTIUSUARIO COMBINAR CON LOS SIGUIENTES COMPONENTES:

- Contador de energía térmica, serie GE552.
- Contador de agua sanitaria y/o de servicio, serie GE552-2.
- Kit multiusuario (4 conexiones) para agua de servicio, código GE550Y148.
- Actuador para válvula de zona, serie K270.
- Aislamiento, serie GE551-4.
- Componentes para centralización de datos vía M-Bus, serie GE552-4, o vía Wireless M-Bus, serie GE552-W.

Complementos

GE552

CÓDIGO	ENLACE	Qn	CENTRALIZACIÓN	€/ud.	☐	☒
GE552Y215	3/4"	0,6 m³/h	M-Bus/Wireless	270,50	1	20
GE552Y216	3/4"	1,5 m³/h	M-Bus/Wireless	270,50	1	20
GE552Y217	1"	2,5 m³/h	M-Bus/Wireless	303,95	1	20
GE552Y027	Tarjeta	-	Wireless M-Bus	63,35	1	-



Contador volumétrico de energía térmica, de doble registro, dispuesto para comunicación M-bus o Wireless M-bus.

K270

CÓDIGO	ALIMENTACIÓN	€/ud.	☐	☒
K270Y101	230V	110,30	1	-
K270Y102	24V	115,00	1	-



Actuador para válvula de zona, dotado de microinterruptor final de carrera.

GE551-4

CÓDIGO	€/ud.	☐	☒
GE551Y179	48,35	1	-



Aislamiento para primario de la conexión multiusuario.

Es posible realizar la instalación del aislamiento con las abrazaderas ya fijadas.

GE552-2

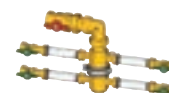
CÓDIGO	ENLACE	CENTRALIZACIÓN	€/ud.	☐	☒
GE552Y190	3/4"	M-Bus	90,70	1	-
GE552Y191	3/4"	M-Bus	90,70	1	-
GE552Y124	3/4"	Wireless	53,10	1	-
GE552Y126	3/4"	Wireless	58,85	1	-



Contador de chorro único para agua sanitaria y/o de servicio, dispuesto para comunicación M-bus mediante salida a impulsos (contacto REED).

GE550-3

CÓDIGO	ENLACE	€/ud.	☐	☒
GE550Y148	1 1/4" x 3/4"	198,75	1	-



Kit multiusuario para agua de servicio (4 zonas).

GE555-3**CON SEPARADOR HIDRÁULICO**

CÓDIGO	ENLACE	ZONA SECUNDARIO		CIRCULADOR		DIMA	€/ud	□	☒
		MEZCLA	ENLACE DIRECTO	NUMERO	TIPOLOGIA				
GE555Y508	3/4"	1	-	1	caudal variable	GE551Y070	1.060,60	1	-
GE555Y516	3/4"	-	1	1	caudal variable	GE551Y070	884,75	1	-
GE555Y526	3/4"	-	2	2	caudal variable	GE551Y071	1.213,55	1	-
GE555Y527	3/4"	-	2	1	caudal variable	GE551Y071	991,60	1	-
GE555Y536	3/4"	1	1	2	caudal variable	GE551Y071	1.359,45	1	-
GE555Y538	3/4"	1	1	1	caudal variable	GE551Y071	1.137,70	1	-

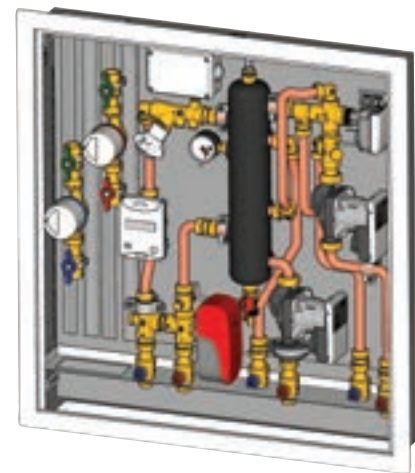
Módulo de usuario para instalación centralizada de calefacción y/o refrigeración, de tipo activo (con bomba/s circuladora/s), compuesto por:

- Separador hidráulico aislado para separación hidráulica entre circuito primario y secundario, dotado de grifo de descarga, purgador de aire manual y manómetro.
- Doble derivación en el lado de secundario, para uso con agua mezclada y/o para uso sin agua mezclada.
- Válvula de corte a esfera.
- Válvula mezcladora con conexión M28x1,5mm.
- Circulador automodulante conforme a la directiva ErP (2009/125/CE).
- Válvula de zona motorizable.
- Posibilidad de alojamiento del módulo en el interior de una caja metálica provista de válvulas de interceptación y de guías para instalación de conexiones de agua sanitaria y/o de servicio.
- Espacio disponible para instalación de contador de energía térmica. El módulo se suministra con separador de plástico para puesta en marcha.
- Caja eléctrica con bornas para conexión eléctrica.
- Vaina para sonda de temperatura de impulsión.
- Racorería para conexión y fijación.

Dimensiones (LxAxP): 700x750x100÷140mm.

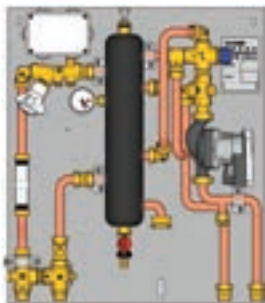
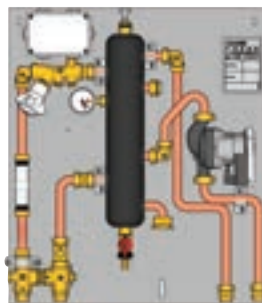
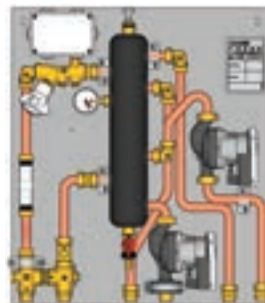
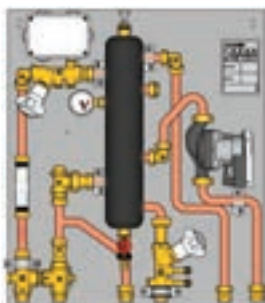
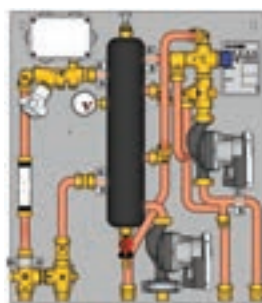
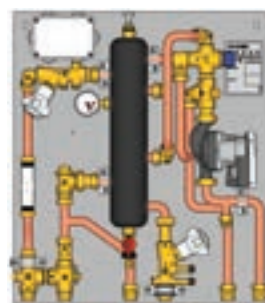
Temperatura máxima de trabajo 90°C.

Presión máxima de trabajo 6bar.



PARA COMPLETAR EL MÓDULO GE555-3 PUEDE PEDIRSE POR SEPARADO:

- Contador de energía térmica, serie GE552.
- Conjunto de material para contabilización de agua sanitaria y/o de servicio, serie GE550 o GE550-1.
- Actuador para control de válvula de zona, serie K270.
- Actuador para válvula mezcladora, serie K281 en combinación con termoregulación o serie K282 a punto fijo.
- Caja metálica para instalación en obra, serie GE551-2.
- Aislamiento, serie GE551-4.
- Componentes para centralización de datos vía M-bus, serie GE552-4, o Wireless M-Bus, serie GE552-W.

**GE555Y508****GE555Y516****GE555Y526****GE555Y527****GE555Y536****GE555Y538**

Complementos

GE552

CÓDIGO	ENLACE	Qn	CENTRALIZACIÓN	€/ud.	□	⊞
GE552Y215	3/4"	0,6 m³/h	M-Bus/Wireless	270,50	1	20
GE552Y216	3/4"	1,5 m³/h	M-Bus/Wireless	270,50	1	20
GE552Y217	1"	2,5 m³/h	M-Bus/Wireless	303,95	1	20
GE552Y027	Tarjeta	-	Wireless M-Bus	63,35	1	-



Contador volumétrico de energía térmica, de doble registro, dispuesto para comunicación M-bus o Wireless M-bus.

K270

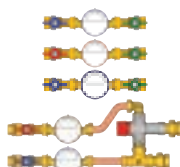
CÓDIGO	ALIMENTACIÓN	€/ud.	□	⊞
K270Y101	230 V	110,30	1	-
K270Y102	24 V	115,00	1	-



Actuador para válvula de zona, dotado de microinterruptor final de carrera.

GE550 - GE550-1

CÓDIGO	ENLACE	€/ud.	□	⊞
GE550Y004	3/4"	167,35	1	-
GE550Y014	3/4"	179,65	1	-
GE550Y008	3/4"	206,20	1	-
GE550Y024	3/4"	484,10	1	-



Conjunto de materiales para contabilización de agua sanitaria y/o de servicio.

ACTUADORES PARA MEZCLADORAS

CÓDIGO	ENLACE	€/ud.	□	⊞
K282X022	24 V - 3 puntos flotantes	244,30	1	-
K281X012	24 V - 0÷10 V	163,65	1	-



K282X022: Actuador con regulador electrónico integrado.

K281X012: Actuador a combinar con termoregulación Bus de Giacomini.

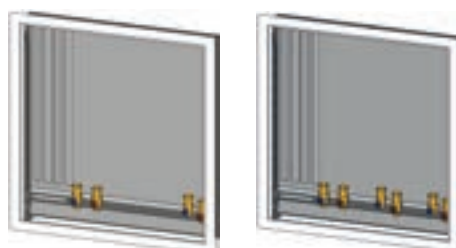
Para su instalación utilizar el anillo de transformación M28x1,5mm a M30x1,5mm, referencia P19Y001.

GE551-2

CÓDIGO	ENLACE	DIMENSIONES (L x H x P) mm	N° VÁLVULAS DE INTERCEPTACIÓN	€/ud.	□	⊞
GE551Y070	3/4"	700 x 750 x 110÷140	4	288,65	1	-
GE551Y071	3/4"	700 x 750 x 110÷140	6	329,30	1	-

Caja para instalación del módulo en obra.

Dotado de guía para instalación de conjuntos de material de agua sanitaria, GE550 o GE550-1.



ADVERTENCIA.

La profundidad de las cajas debe regularse a 140 mm (con el marco regulable) en presencia del aislamiento GE551Y174.

GE551-4

CÓDIGO	€/ud.	□	⊞
GE551Y174	59,35	1	-

Aislamiento para módulo GE555-3.



RECAMBIOS

CÓDIGO	MISURA	€/ud.	□	⊞
P76WIY012	15/6 - 1" - 130 mm	305,70	1	-

Circulador automodulante con índice de eficiencia energética conforme a la norma ErP 2009/125/CE.



K373-1

CÓDIGO	€/ud.	□	⊞
K373Y013	24,50	1	10

Termostato de seguridad a contacto.



> SATÉLITES DE USUARIO PARA CONTABILIZACIÓN DIRECTA

GE556

STANDARD

CÓDIGO	ENLACE	FUNCIONES PRINCIPALES	POTENCIA INTERCAMBIADOR	FILTRO	€/ud	□	⊞
GE556Y301	3/4"	válvula de prioridad	44 kW	SI	1.011,35	1	-
GE556Y302	3/4"	válvula de prioridad	58 kW	SI	1.123,90	1	-
GE556Y303	3/4"	control termostático y equilib. dinámico	58 kW	SI	993,00	1	-
GE556Y314	3/4"	gestión agua dulce	44 kW	SI	972,75	1	-

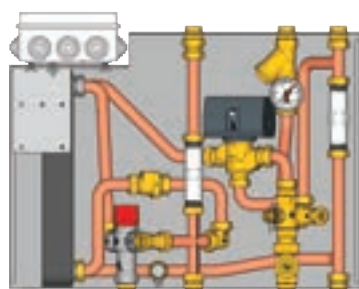
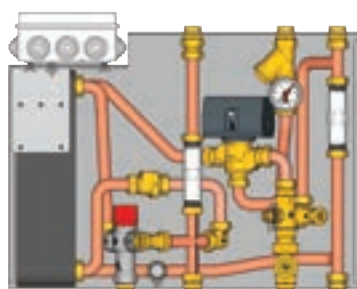
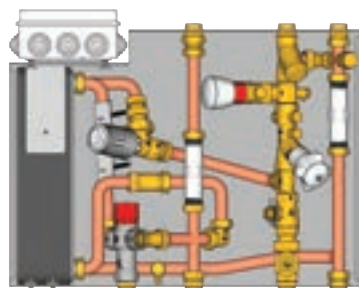
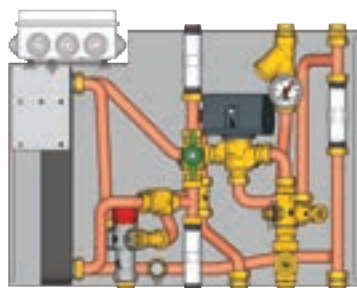
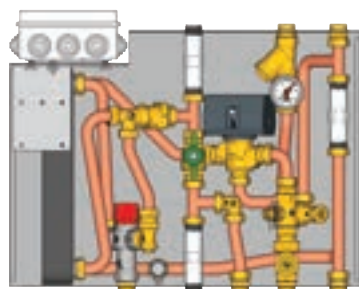
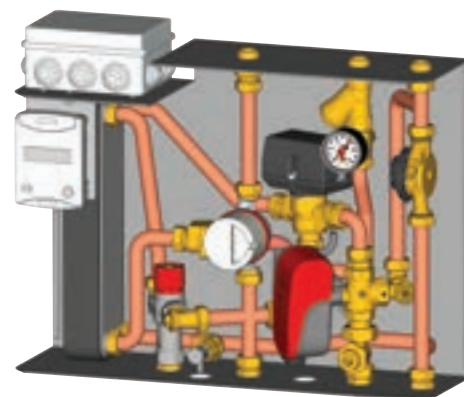
Satélite de usuario para instalaciones centralizadas para gestión de calefacción y producción de agua caliente sanitaria. Compuesto por:

- Intercambiador de placas para producción instantánea de agua caliente sanitaria.
- Filtro y vaina para sonda de temperatura de impulsión, en el lado de primario.
- Válvula de zona motorizable y detentor para equilibrado estático, en el lado de calefacción.
- Posibilidad de alojamiento del satélite en interior de caja metálica provista de válvulas de corte.
- Espacio disponible para instalación de contador de energía térmica y contador de agua sanitaria.
- El módulo se suministra con separadores de plástico para puesta en marcha.
- Caja eléctrica con bornas para conexión eléctrica.
- Vaina para sonda de temperatura de impulsión.
- Racorería para conexión y fijación.

Dimensiones (LxAxP): 540x390x155mm.

Temperatura máxima de trabajo 90°C.

Presión máxima de trabajo 16bar (10bar con separador plástico suministrado de fábrica).


GE556Y301

GE556Y302

GE556Y303

GE556Y304

GE556Y314


PARA COMPLETAR EL SATÉLITE GE556 PEDIR POR SEPARADO:

- Contador de energía térmica, serie GE552.
- Contador de agua sanitaria, serie GE552-2.
- Actuador para control de válvula de zona, serie K270.
- Caja metálica para instalación en obra, serie GE551-2.
- Válvulas adicionales para caja (solo para GE556Y304 y GE556Y314).
- Componentes para centralización de datos vía M-bus, serie GE552-4, o Wireless M-Bus, serie GE552-W.

PARA TODAS LAS VERSIONES LA POTENCIA DEL INTERCAMBIADOR HACE REFERENCIA A LAS SIGUIENTES CONDICIONES DE TRABAJO:

- Primario 75°C, caudal de 1m³/h.
- Secundario 15-50°C, 18 l/min (24l/min para GE556Y302 y GE556Y303).

PARA LAS VERSIONES CON INTERCAMBIADOR AUMENTADO (GE556Y302, GE556Y303), LA POTENCIA PUEDE SER CONSIDERADA IGUAL A 44KW A LAS SIGUIENTES CONDICIONES DE TRABAJO:

- Primario 65°C, caudal de 1m³/h.
- Secundario 15-50°C, 18 l/min.

Códigos de componentes

GE552

CÓDIGO	ENLACE	Qn	CENTRALIZACIÓN	€/ud	☐	☒
GE552Y216	3/4"	1,5 m ³ /h	M-Bus/Wireless	270,50	1	20
GE552Y027	Tarjeta	-	Wireless M-Bus	63,35	1	-

Contador volumétrico de energía térmica, de doble registro, dispuesto para comunicación M-bus o Wireless M-bus.



R189V

CÓDIGO	MEDIDA	€/ud	☐	☒
R189VY004	3/4"	6,00	1	250

Racor con retención para el circuito de agua sanitaria (es posible instalar dos en paralelo, uno para agua fría y otro para agua caliente).



K270

CÓDIGO	ALIMENTACIÓN	€/ud	☐	☒
K270Y101	230 V	110,30	1	-
K270Y102	24 V	115,00	1	-

Actuador para válvula de zona, dotado de microinterruptor final de carrera.



GE500

CÓDIGO	MEDIDA	€/ud	☐	☒
GE500Y253	-	21,85	1	50

Válvula adicional para satélite GE556Y304 y GE556Y314.



GE552-2

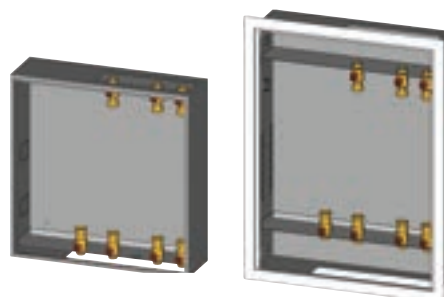
CÓDIGO	ENLACE	CENTRALIZACIÓN	€/ud	☐	☒
GE552Y190	3/4"	M-Bus	90,70	1	-
GE552Y191	3/4"	M-Bus	90,70	1	-
GE552Y124	3/4"	Wireless	53,10	1	-
GE552Y126	3/4"	Wireless	58,85	1	-

Contador de chorro único para agua sanitario y/o de servicio, dispuesto para comunicación M-bus mediante salida a impulsos (contacto REED) o Wireless M-Bus instalando sobre el contador el correspondiente módulo, serie GE552-W.



GE551-2

CÓDIGO	ENLACE	DIMENSIONES (L x H x P) mm	Nº VÁLVULAS INTERCEPTACIÓN	EURO/pcs.	☐	☒
GE551Y072	3/4"	560 x 570 x 165	7	376,55	1	-
GE551Y073	3/4"	570 x 770 x 165	7	368,30	1	-



GE556-1

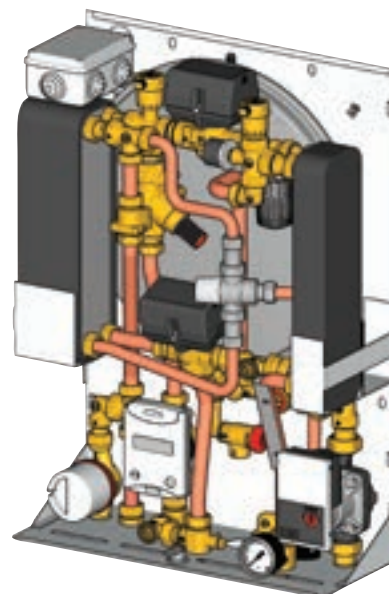
CON INTERCAMBIADOR DOBLE

CÓDIGO	ENLACE	FUNCIONES PRINCIPALES	POTENCIA INTERCAMBIADOR	DIMA	€/ud	□	⊞
GE556Y171	3/4"	Calefacción	17,4 kW	GE551Y081	1.644,00	1	-
GE556Y176	3/4"	Calefacción / Producción agua sanitaria	56 kW	GE551Y082	2.152,90	1	-
GE556Y177	3/4"	Calefacción / Producción agua sanitaria	67 kW	GE551Y082	2.256,00	1	-

Satélite de usuario de doble intercambiador para instalación centralizada para gestión de calefacción a alta o baja temperatura y producción de agua caliente sanitaria (solo para GE556Y172-173). Compuesto por:

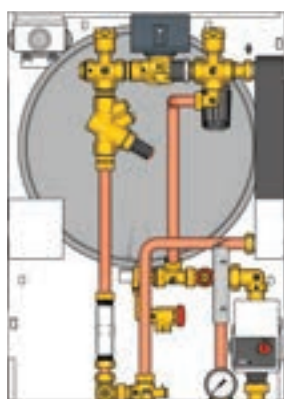
- Intercambiador de placas para separación del circuito secundario de calefacción del circuito primario.
- Intercambiador de placas para producción instantánea de agua caliente sanitaria (excepto GE556Y171).
- Bomba circuladora automodulante conforme a la directiva ErP (2009/125/CE), vaso de expansión, válvula de seguridad, manómetro, presostato, purgador de aire automático en ramal de calefacción.
- Control termostático de temperatura de calefacción (posibilidad de alta y baja temperatura).
- Válvula de zona motorizable, en el lado de calefacción.
- Gestión de prioridad para producción de agua caliente sanitaria (excepto GE556Y171).
- Mezclador termostático antiquemaduras certificado TMV2+TMV3+WRAS (Excepto GE556Y171).
- Válvula de equilibrado dinámico, by-pass regulable en lado primario (a parte del by-pass, no existe flujo primario en caso de inactividad del satélite), purgador de aire automático.
- Posibilidad de alojamiento del satélite en interior de caja metálica provista de válvulas de corte.
- Espacio disponible para instalación de contador de energía térmica y contador de agua sanitaria (excepto GE556Y171). El módulo se suministra con separadores de plástico para puesta en marcha.
- Caja eléctrica con bornas para conexión eléctrica.

Dimensiones (LxAxP): 450x630x180mm.

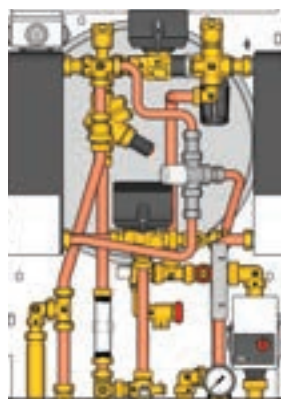


PARA COMPLETAR EL SATÉLITE GE556-1 PEDIR POR SEPARADO:

- Contador de energía térmica, serie GE552.
- Contador de agua sanitaria, serie GE552-2.
- Soporte metálico para instalación en obra, serie GE551-2.
- Componentes para centralización de datos vía M-bus, serie GE552-4, o Wireless M-Bus, serie GE552-W.



GE556Y171



**GE556Y176
GE556Y177**

Complementos

GE552

CÓDIGO	ENLACE	Qn	CENTRALIZACIÓN	€/ud	□	⊞
GE552Y216	3/4"	1,5 m³/h	M-Bus/Wireless	270,50	1	20
GE552Y027	Tarjeta	-	Wireless M-Bus	63,35	1	-

Contador volumétrico de energía térmica, de doble registro, dispuesto para comunicación M-bus o Wireless M-bus.



GE552-2

CÓDIGO	ENLACE	CENTRALIZACIÓN	€/ud	□	⊞
GE552Y190	3/4"	M-Bus	90,70	1	-
GE552Y124	3/4"	Wireless	53,10	1	-

Contador de chorro único para agua sanitario y/o de servicio, dispuesto para comunicación M-bus mediante salida a impulsos (contacto REED) o Wireless M-Bus instalando sobre el contador el correspondiente módulo, serie GE552-W.



GE551-2

CÓDIGO	ENLACE	Nº VALV.DE INTERCEP.	€/ud	□	⊞
GE551Y081	3/4"	4	164,05	1	-
GE551Y082	3/4"	7	226,30	1	-
GE551Y083	Ø22	4	368,15	1	-
GE551Y084	Ø22	7	518,85	1	-



RECAMBIOS

CÓDIGO	MEDIDA	€/ud	□	⊞
P76WIV012	15/6 - 1" - 130 mm	305,70	1	-



GE556-2

REGULACIÓN ELECTRÓNICA

CÓDIGO	ENLACE	FUNCIÓN PRINCIPAL	POTENCIA	DIMA	€/ud	□	⊞
GE556Y401	3/4"	Calefacción./ Producción agua sanitaria	58 kW	GE551Y074	2.219,10	1	-
GE556Y402	3/4"	Calefacción./ Producción agua sanitaria	67 kW	GE551Y074	2.281,00	1	-

Satélite de usuario electrónico para gestión de calefacción a alta o baja temperatura y producción de agua caliente sanitaria. Compuesto por:

- Intercambiador de placas para producción instantánea de agua caliente sanitaria.
- Flujostato para control de prioridad de agua caliente sanitaria.
- Válvula desviadora a tres vías motorizada y válvula mezcladora a dos vías motorizada.
- Bomba circuladora automodulante conforme a la directiva ErP (2009/125/CE).
- Filtro y purgador de aire manual en lado primario. Presostato de seguridad para presión baja.
- By-pass regulable y detentor de equilibrio estático en lado de calefacción.
- Válvula de seguridad térmica en lado de calefacción. Tubos aislados.
- Centralita de termoregulación electrónica a punto fijo para gestión de la temperatura del agua caliente sanitaria y la curva climática de calefacción, con sonda exterior (incluida).
- Control a distancia con display para gestión de parámetros. Código K480Y002.
- Sonda de control de temperatura de agua caliente sanitaria (calefacción y retorno primario).
- Caja eléctrica con bornas para conexión eléctrica.
- Espacio disponible para instalación de contador de energía térmica y contador de agua sanitaria.

El módulo se suministra con separadores de plástico para puesta en marcha.
Ahorro de energía: reducción del caudal necesario en lado de primario y reducción de la temperatura de retorno en lado de primario.

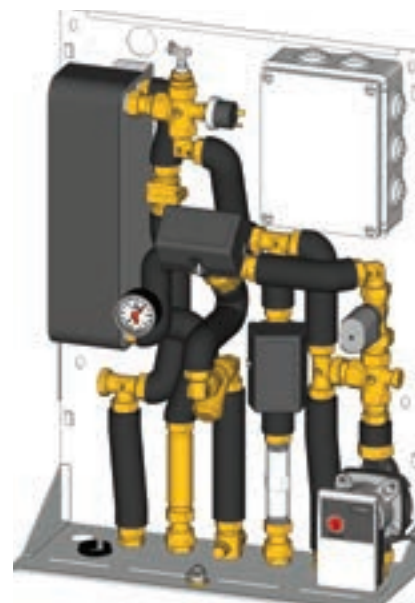
- Rango de temperatura de calefacción: baja temperatura 25÷45°C / alta temperatura 25÷85°C.

- Rango de temperatura agua caliente sanitaria: 30÷60°C (Set-Point 48°C).

Dimensiones (LxAxP): 450x630x180mm.

Temperatura máxima de trabajo: 90°C.

Presión máxima de trabajo: 6bar.



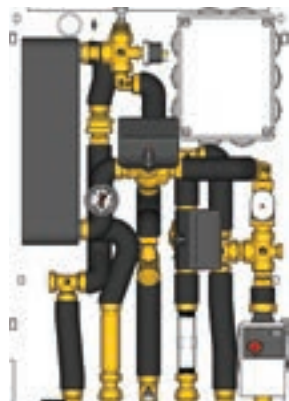
PARA COMPLETAR EL SATÉLITE GE556-2 PEDIR POR SEPARADO:

- Contador de energía térmica, serie GE552.
- Contador de agua sanitaria, serie GE552-2.
- Soporte metálico para instalación en obra, serie GE551-2.
- Componentes para centralización de datos vía M-bus, serie GE552-4, o Wireless M-Bus, serie GE552-W.



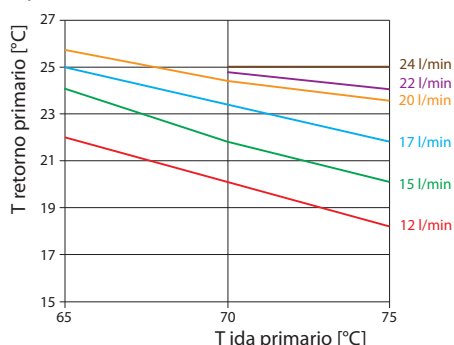
K480Y002

Termostato ambiente con comando remoto, incluido en satélite.



GE556Y401-402

Características de ahorro energético Bajas temperaturas de retorno del primario, en funcionamiento sanitario



Complementos

GE552

CÓDIGO	ENLACE	Qn	CENTRALIZACIÓN	€/ud	□	⊞
GE552Y216	3/4"	1,5 m³/h	M-Bus/Wireless	270,50	1	20
GE552Y027	Tarjeta	-	Wireless M-Bus	63,35	1	-

Contador volumétrico de energía térmica, de doble registro, dispuesto para comunicación M-bus o Wireless M-bus.



GE551-2

CÓDIGO	ENLACE	Nº VALV.DE INTERCEP.	€/ud	□	⊞
GE551Y074	3/4"	6	223,55	1	-

Soporte para instalación del módulo en obra. Incluye válvulas de corte.



GE550-2

CÓDIGO	ENLACE	€/ud	□	⊞
GE550Y001	3/4"	30,65	1	-

Conexión adicional para agua fría sanitaria. Con separador de plástico incluido, para instalar posteriormente contador de agua sanitaria.



GE552-2

CÓDIGO	ENLACE	CENTRALIZACIÓN	€/ud	□	⊞
GE552Y190	3/4"	M-Bus	90,70	1	-
GE552Y191	3/4"	M-Bus	90,70	1	-
GE552Y124	3/4"	Wireless	53,10	1	-
GE552Y126	3/4"	Wireless	58,85	1	-

Contador de chorro único para agua sanitario y/o de servicio, dispuesto para comunicación M-bus mediante salida a impulsos (contacto REED) o Wireless M-Bus instalando sobre el contador el correspondiente módulo, serie GE552-W.



RECAMBIOS

CÓDIGO	MEDIDA	€/ud	□	⊞
P76WIY012	15/6 - 1" - 130 mm	305,70	1	-

Circulador automodulante con índice de eficiencia energética conforme a la norma ErP 2009/125/CE.



GE500

CÓDIGO	MEDIDA	€/ud	□	⊞
GE500Y254	3/4"	21,85	1	-

Válvula adicional para soporte GE551Y074 cuando se instala la conexión adicional GE550Y001.



GE556-3

CÓDIGO	ENLACE	FUNCIÓN PRINCIPAL	POTENCIA	€/ud	□	⊞
GE556Y152	3/4"	Produzione acqua sanitaria	56 kW	441,50	1	-

Satélite con intercambiador de calor para producción de agua caliente sanitaria. Compuesto por:

- Intercambiador de placas para producción instantánea de agua caliente sanitaria.
 - Mezclador termostático.
 - Válvula de equilibrado estático.
 - Válvula de retención con aprobación NF, en lado sanitario.
 - Espacio disponible para instalación de contador de agua sanitaria. El módulo se suministra con separador de plástico para puesta en marcha.
- Dimensiones (LxAxP): 330x295x120mm.

Lado Primario:

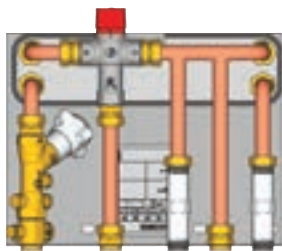
Temperatura máxima de trabajo 90°C.

Presión máxima de trabajo 16bar.

Lado Sanitario:

Temperatura máxima de trabajo 30°C (agua fría).

Presión máxima de trabajo 10bar.



GE556Y152

Complementos

GE552

CÓDIGO	ENLACE	Qn	CENTRALIZACIÓN	€/ud	□	⊞
GE552Y216	3/4"	1,5 m³/h	M-Bus/Wireless	270,50	1	20
GE552Y027	Tarjeta	-	Wireless M-Bus	63,35	1	-

Contador volumétrico de energía térmica, de doble registro, dispuesto para comunicación M-bus o Wireless M-bus.



GE552-2

CÓDIGO	ENLACE	CENTRALIZACIÓN	€/ud	□	⊞
GE552Y190	3/4"	M-Bus	90,70	1	-
GE552Y124	3/4"	Wireless	53,10	1	-

Contador de chorro único para agua sanitario y/o de servicio, dispuesto para comunicación M-bus mediante salida a impulsos (contacto REED) o Wireless M-Bus instalando sobre el contador el correspondiente módulo, serie GE552-W.



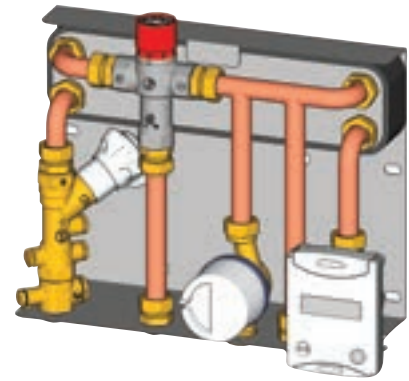
GE551-4

CÓDIGO	€/ud	□	⊞
GE551Y181	42,15	1	-

Aislamiento para satélite GE556Y152.



PRODUCCIÓN AGUA SANITARIA



PARA COMPLETAR EL SATÉLITE GE556-3 PEDIR POR SEPARADO:

- Contador de energía térmica, serie GE552.
- Contador de agua sanitaria, serie GE552-2.
- Aislamiento, serie GE551-4.
- Soporte metálico para instalación en obra, serie GE551-2.
- Componentes para centralización de datos vía M-bus, serie GE552-4, o Wireless M-Bus, serie GE552-W.

GE556-4**CON VÁLVULA DE CONTROL DE PRESIÓN DIFERENCIAL**

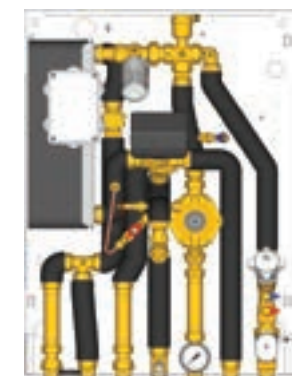
CÓDIGO	ENLACE	FUNCIÓN PRINCIPAL	POTENCIA	DIMA	€/ud	□	⊞
GE556Y320	3/4"	Calefacción alta temperatura / Producción agua sanitaria	56 kW	GE551Y075	1.794,65	1	-
GE556Y321	3/4"	Calefacción alta temperatura / Producción agua sanitaria	67 kW	GE551Y075	1.856,60	1	-
GE556Y322	3/4"	Calefacción baja temperatura / Producción agua sanitaria	56 kW	GE551Y075	2.178,95	1	-
GE556Y323	3/4"	Calefacción baja temperatura / Producción agua sanitaria	67 kW	GE551Y075	2.240,85	1	-

Satélite de usuario para gestión de calefacción a alta o baja temperatura y la producción de agua caliente sanitaria. Compuesto por:

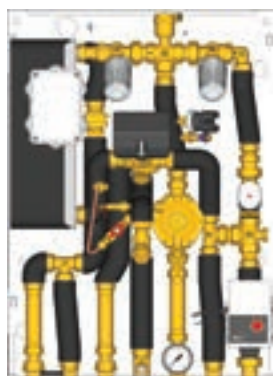
- Intercambiador de placas para producción instantánea de agua caliente sanitaria.
 - Flujostato para control de prioridad de agua caliente sanitaria.
 - Válvula desviadora a tres vías motorizada.
 - Bomba circuladora automodulante conforme a la directiva ErP (2009/125/CE).
 - Válvula de equilibrado estático R206B (solo para GE556Y320-321).
 - Válvula termostática para regular la temperatura del agua caliente sanitaria y de calefacción.
 - By-pass interceptable en el lado primario sanitario, para mantener caliente el intercambiador.
 - Purgador automático, filtro y manómetro en lado primario.
 - Presostato de seguridad por baja presión en lado primario (solo para GE556Y322-323).
 - Válvula de control de presión diferencial en lado primario.
 - Válvula de seguridad con actuador electrotérmico R473 en lado de calefacción.
 - Caja eléctrica con bornas para conexión eléctrica.
 - Espacio disponible para instalación de contador de energía térmica y contador de agua sanitaria.
- El módulo se suministra con separadores de plástico para puesta en marcha.
Dimensiones (LxAxP): 450x630x180mm.

Temperatura máxima de trabajo 90°C.

Presión máxima de trabajo 6bar (para versión baja temperatura) y 16bar (para versión a alta temperatura).



GE556Y320
GE556Y321



GE556Y322
GE556Y323

Complementos**GE552**

CÓDIGO	ENLACE	Qn	CENTRALIZACIÓN	€/ud	□	⊞
GE552Y216	3/4"	1,5 m³/h	M-Bus/Wireless	270,50	1	20
GE552Y027	Tarjeta	-	Wireless M-Bus	63,35	1	-

Contador volumétrico de energía térmica, de doble registro, dispuesto para comunicación M-bus o Wireless M-bus.

**GE551-2**

CÓDIGO	ENLACE	Nº VALV. DE INTERCER.	€/ud	□	⊞
GE551Y075	3/4"	7	190,00	1	-

Soporte para instalación del módulo en obra. Incluye válvulas de corte.

Dimensiones (LxAxP): 450x292x72mm.

**GE552-2**

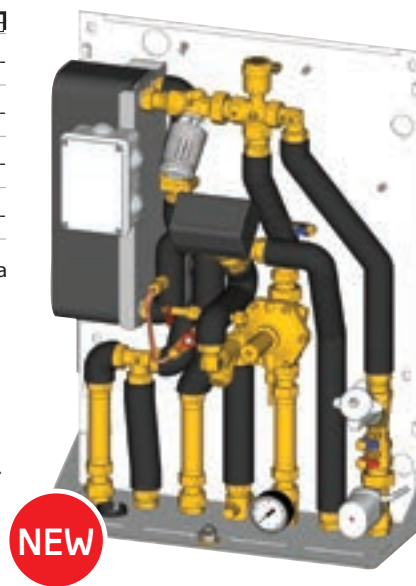
CÓDIGO	ENLACE	CENTRALIZACIÓN	€/ud	□	⊞
GE552Y190	3/4"	M-Bus	90,70	1	-
GE552Y191	3/4"	M-Bus	90,70	1	-
GE552Y124	3/4"	Wireless	53,10	1	-
GE552Y126	3/4"	Wireless	58,85	1	-

Contador de chorro único para agua sanitario y/o de servicio, dispuesto para comunicación M-bus mediante salida a impulsos (contacto REED) o Wireless M-Bus instalando sobre el contador el correspondiente módulo, serie GE552-W.

**RECAMBIOS**

CÓDIGO	MEDIDA	€/ud	□	⊞
P76WIV012	15/6 - 1" - 130 mm	305,70	1	-

Circulador automodulante con índice de eficiencia energética conforme a la norma ErP 2009/125/CE.



PARA COMPLETAR EL SATÉLITE GE556-4 PEDIR POR SEPARADO:

- Contador de energía térmica, serie GE552.
- Contador de agua sanitaria, serie GE552-2.
- Soporte metálico para instalación en obra, serie GE551-2.
- Componentes para centralización de datos vía M-bus, serie GE552-4, o Wireless M-Bus, serie GE552-W.

> KITS Y ACCESORIOS (CAJAS, AISLAMIENTOS Y OTROS COMPONENTES)

GE550

KIT PARA AGUA SANITARIA

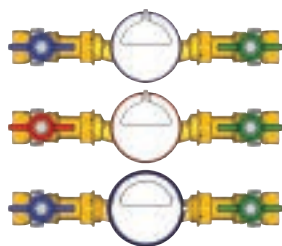
CÓDIGO	CONEXIÓN	TIPOLOGIA AGUA SANITARIA	CAUDAL NOMINAL m ³ /h	MAX. TEMP. AGUA	CONTADOR AGUA	LONGITUD KIT mm	€/ud	CL	□	⊞
GE550Y004	3/4"	fría	1,5	30 °C	SI	262	167,35	1	-	-
GE550Y005	1"	fría	2,5	30 °C	SI	310	213,05	1	-	-
GE550Y014	3/4"	caliente	1,5	90 °C	SI	262	179,65	1	-	-
GE550Y015	1"	caliente	2,5	90 °C	SI	310	229,80	1	-	-
GE550Y008	3/4"	fría - de servicio	1,5	30 °C	SI	262	206,20	1	-	-
GE550Y101	3/4"	fría	1,5	-	NO	262	45,75	1	-	-
GE550Y102	1"	fría	2,5	-	NO	310	69,45	1	-	-
GE550Y103	3/4"	caliente	1,5	-	NO	262	45,75	1	-	-
GE550Y104	1"	caliente	2,5	-	NO	310	69,45	1	-	-

Kit de contabilización para agua sanitaria, compuesto por:

- Válvulas de corte a esfera.
- Válvula de retención integrada en válvula de corte a esfera con maneta verde.
- Abrazadera de sujeción.
- Separador de plástico en la ubicación de contador (según modelo).
- Disponible con o sin contador de agua sanitaria.

Temperatura máxima de trabajo: 30°C en lado de agua fría sanitaria y 90°C en lado de agua caliente sanitaria.

Presión máxima de trabajo: 16bar (10bar con separador plástico suministrado de fábrica).



GE550Y004 - GE550Y005
GE550Y014 - GE550Y015
GE550Y008



GE550Y101-GE550Y102
GE550Y103-GE550Y104

GE550-1

KIT PARA AGUA SANITARIA CON MEZCLADOR TERMOSTÁTICO

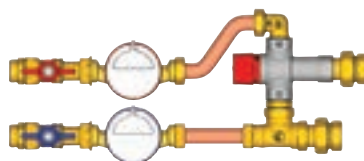
CÓDIGO	CONEXIÓN	TIPOLOGIA AGUA SANITARIA	CAUDAL NOMINAL m ³ /h	MAX. TEMP. AGUA	CONTADOR AGUA	LONGITUD KIT mm	€/ud	CL	□	⊞
GE550Y024	3/4"	fría + caliente	1,5	90 °C (caliente)	SI	420	484,10	GE	1	-
GE550Y111	3/4"	fría + caliente	1,5	90 °C (caliente)	NO	420	188,55	GE	1	-

Kit de contabilización para agua sanitaria, con mezclador termostático integrado, compuesto por:

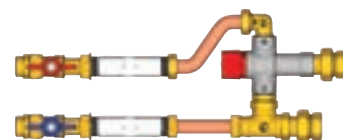
- Válvulas de corte a esfera.
- Válvula de retención.
- Separador de plástico en la ubicación de contador.
- Disponible con o sin contador de agua sanitaria.
- Disponible con o sin abrazadera de fijación.

Temperatura máxima de trabajo: 30°C en lado de agua fría sanitaria y 90°C en lado de agua caliente sanitaria.

Presión máxima de trabajo: 16bar (10bar con separador plástico suministrado de fábrica).



GE550Y024



GE550Y111

GE550-2**KIT PARA CALEFACCIÓN / REFRIGERACIÓN****KIT DE IMPULSIÓN**

CÓDIGO	CONEXIÓN	CAUDAL NOMINAL m³/h	VÁLVULA DE ZONA	VÁLVULA DE EQUILBRADO	FILTRO	LONGITUD KIT mm	€/ud	□	⊞
GE550Y121	3/4"	1,5	NO	NO	SI	264	64,00	1	-
GE550Y122	1"	2,5	NO	NO	SI	316	84,65	1	-
GE550Y123	3/4"	1,5	2 vías	NO	NO	237	75,55	1	-
GE550Y124	3/4"	1,5	2 vías	NO	SI	320	89,60	1	-
GE550Y125	1"	2,5	2 vías	NO	SI	371	117,80	1	-
GE550Y135	1"	2,5	2 vías	SI	SI	508	234,30	1	-
GE550Y136	3/4"	1,5	2 vías	SI	SI	439	187,40	1	-
GE550Y137	3/4"	1,5	NO	SI	NO	264	137,25	1	-
GE550Y138	3/4"	1,5	NO	SI	SI	345	151,75	1	-
GE550Y139	1"	2,5	NO	SI	SI	411	187,40	1	-

Kit de contabilización para impulsión de circuito de calefacción y/o refrigeración, compuesto por:

- Válvula de corte a esfera.
- Según modelo, disponible en 3/4" o 1", válvula de zona motorizable, válvula de equilibrado estático y filtro.

Temperatura máxima de trabajo: 110°C.

Presión máxima de trabajo: 16bar.



GE550Y121
GE550Y122



GE550Y123



GE550Y124
GE550Y125



GE550Y135
GE550Y136



GE550Y137



GE550Y138
GE550Y139

KIT DE RETORNO

CÓDIGO	CONEXIÓN	CAUDAL NOMINAL m³/h	SEPARADOR	LONGITUD KIT mm	MEDIDA SEPARADOR mm	EURO/pcs.	□	⊞
GE550Y129	3/4"	1,5	SI	254	110	48,80	1	-
GE550Y130	1"	2,5	SI	300	130	68,20	1	-

Kit de contabilización para retorno de circuito de calefacción y/o refrigeración, compuesto por:

- Válvula de corte a esfera, precintable.
- Espacio disponible para instalación de contador de energía. El módulo se suministra con separador de plástico para puesta en marcha.
- Según modelo, disponible en 3/4" o 1".

Temperatura máxima de trabajo: 110°C (90°C con separador plástico suministrado de fábrica).

Presión máxima de trabajo: 16bar (10bar con separador plástico suministrado de fábrica).



GE550Y129
GE550Y130

KIT DE IMPULSIÓN & RETORNO

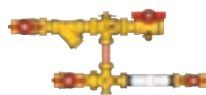
CÓDIGO	CONEXIÓN	CAUDAL NOMINAL m³/h	VÁLVULA DE ZONA	EQUILBRADO	LONGITUD KIT mm	MEDIDA SEPARADOR mm	€/ud	□	⊞
GE550Y166	3/4"	1,5	3 vías	NO	422	110	167,85	1	-
GE550Y167	1"	2,5	3 vías	NO	491	130	238,05	1	-
GE550Y168	3/4"	1,5	3 vías	estático	453	110	220,90	1	-
GE550Y169	1"	2,5	3 vías	estático	491	130	270,40	1	-
GE550Y170	3/4"	1,5	3 vías	dinámico	444	110	321,95	1	-
GE550Y171	1"	2,5	3 vías	dinámico	490	130	476,25	1	-

Kit de contabilización para impulsión y retorno de circuito de calefacción y/o refrigeración, compuesto por:

- Válvula de corte a esfera, precintable.
- Filtro con malla en acero Inox.
- Espacio disponible para instalación de contador de energía. El módulo se suministra con separador de plástico para puesta en marcha.
- Según modelo, disponible en 3/4" o 1" y válvula de equilibrado estático o dinámico.

Temperatura máxima de trabajo: 110°C (90°C con separador plástico suministrado de fábrica).

Presión máxima de trabajo: 16bar (10bar con separador plástico suministrado de fábrica).



GE550Y166
GE550Y167



GE550Y168
GE550Y169

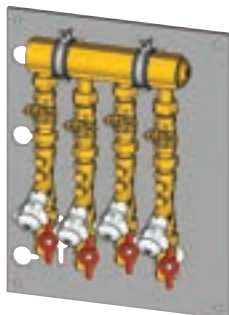


GE550Y170
GE550Y171

GE550-3**MULTIUSUARIOS**

Kit o módulo de contabilización multiusuario, compuesto por:

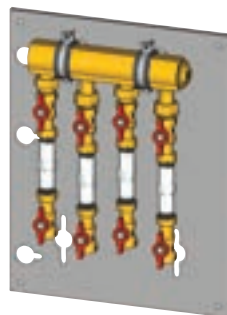
- Válvula de corte a esfera.
- Espacio disponible en retorno para instalación de contador de energía. El módulo se suministra con separador de plástico para puesta en marcha. El contador de energía volumétrico debe instalarse separando la parte volumétrica del display de visualización.
- Según versión, existen módulos multiusuario para agua sanitaria, calefacción y/o refrigeración o plancha metálica universal.
- Según versión, existen kits con válvula de equilibrado estático, válvula de zona motorizable y válvula mezcladora motorizable.
- Temperatura máxima de trabajo: 110°C (90°C con separador plástico suministrado de fábrica).
- Presión máxima de trabajo: 16bar (10bar con separador plástico suministrado de fábrica).



Kit de impulsión calefacción/ refrigeración.

- Guías para instalación de abrazaderas en dirección vertical.
 - Válvula de zona motorizable con actuador serie K270.
 - Válvula de equilibrado estático.
 - Válvula de corte con portasonda para contador de energía.
 - Posibilidad de insertar una quinta zona, código GE550Y094.
- Dimensiones plancha (LxAxP):
390x495x160mm.

GE550Y147
GE550Y117



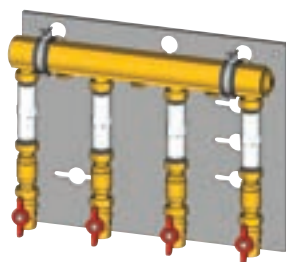
Kit de retorno calefacción/ refrigeración.

- Guías para instalación de abrazaderas en dirección vertical.
 - Separador de plástico (el contador GE552 de 3/4" debe pedirse por separado).
 - Válvula de corte.
 - Posibilidad de insertar una quinta zona, código GE550Y093.
- Dimensiones plancha (LxAxP):
390x495x110mm.

GE550Y146
GE550Y116

CÓDIGO	CONEXIÓN	ZONAS	€/ud	□	⊞
GE550Y147	1 1/4" x 3/4"	4	653,35	1	-
GE550Y117	1 1/4" x 3/4"	3	504,00	-	-

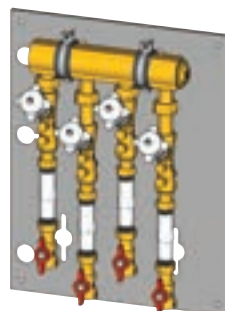
CÓDIGO	CONEXIÓN	ZONAS	€/ud	□	⊞
GE550Y146	1 1/4" x 3/4"	4	394,70	1	-
GE550Y116	1 1/4" x 3/4"	3	187,95	1	-



Kit de impulsión calefacción/ refrigeración.

- Guías para instalación de abrazaderas en dirección vertical.
 - Separador de plástico para insertar circulador 15/7.
 - Válvula antirretorno de paso mejorado (1").
 - Válvula de corte con portasonda del contador de energía.
 - Posibilidad de insertar una quinta zona, código GE550Y092.
- Dimensiones plancha (LxAxP):
495x390x115mm.

GE550Y145
GE550Y115



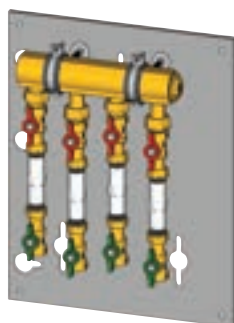
Kit de retorno calefacción/ refrigeración.

- Guías para instalación de abrazaderas en dirección vertical.
 - Válvula de equilibrado estático.
 - Separador de plástico (el contador GE552 de 3/4" debe pedirse por separado).
 - Posibilidad de insertar una quinta zona, código GE550Y091.
- Dimensiones plancha (LxAxP):
495x390x160mm.

GE550Y144
GE550Y114

CÓDIGO	CONEXIÓN	ZONAS	€/ud	□	⊞
GE550Y145	1 1/4" x 3/4"	4	614,00	1	-
GE550Y115	1 1/4" x 3/4"	3	364,30	1	-

CÓDIGO	CONEXIÓN	ZONAS	€/ud	□	⊞
GE550Y144	1 1/4" x 3/4"	4	526,30	1	-
GE550Y114	1 1/4" x 3/4"	3	428,15	1	-



Kit agua caliente sanitaria y/o agua fría.

- Guías para instalación de abrazaderas en dirección vertical.
 - Separador de plástico (el contador GE552 de 3/4" debe pedirse por separado).
 - Válvula de corte.
 - Válvula de corte con válvula de retención integrada (maneta verde).
 - Posibilidad de insertar una quinta zona, código GE550Y090.
- Dimensiones plancha (LxAxP):
390x495x160mm.

GE550Y112
GE550Y113



Kit agua caliente sanitaria de recirculación.

- Guías para instalación de abrazaderas en dirección vertical.
 - Válvula de equilibrado estático.
 - Separador de plástico en lugar del contador serie GE552.
 - Válvula de corte.
- Dimensiones plancha (LxAxP):
390x495x160mm.

GE550Y158
GE550Y159

CÓDIGO	CONEXIÓN	ZONAS	€/ud	□	⊞
GE550Y112	1 1/4" x 3/4"	4	402,30	1	-
GE550Y113	1 1/4" x 3/4"	3	324,60	1	-

CÓDIGO	CONEXIÓN	ZONAS	€/ud	□	⊞
GE550Y159	1 1/4" x 3/4"	4	311,55	1	-
GE550Y158	1 1/4" x 3/4"	3	253,45	1	-



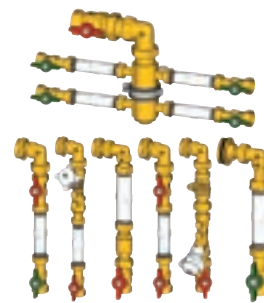
NOTA

Los módulos GE550-3 arriba mencionados, pueden ser instalados a pared o dentro de la caja GE551Y031.

KIT - 5ª ZONA

CÓDIGO	CONEXIÓN	DESCRIPCIÓN	CÓDIGO DE EMPAREJAMIENTO	€/ud	□	⊞
GE550Y148	1 1/4" x 3/4"	Kit para agua de servicio (4 zonas)	caja GE551Y031	198,75	1	-
GE550Y090	1 1/4" x 3/4"	5ª zona para agua caliente/fría sanitaria	multiutenza GE550Y112	62,45	1	-
GE550Y091	1 1/4" x 3/4"	5ª zona de retorno calefacción/refrigeración	multiutenza GE550Y144	89,45	1	-
GE550Y092	1 1/4" x 3/4"	5ª zona de impulsión calefacción/refrigeración	multiutenza GE550Y145	70,80	1	-
GE550Y093	1 1/4" x 3/4"	5ª zona de retorno calefacción/refrigeración	multiutenza GE550Y146	58,85	1	-
GE550Y094	1 1/4" x 3/4"	5ª zona de impulsión calefacción/refrigeración	multiutenza GE550Y147	106,10	1	-
GE550Y095	1 1/4" x 3/4"	5ª zona para agua de servicio	multiutenza GE550Y148	44,80	1	-

Stacchi multiutenza.



Plancha metálica multiusuario universal con colector aislado 1 1/4" x 3/4".

Para 2+4 zonas con kit de 3/4", GE550, GE550-1, GE550-2.

Dimensiones plancha (LxAxP): 400x495x140mm.

Nota: Para la conexión colector-kit, pedir por separado el racor con código R189DY004.

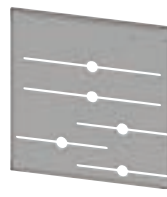
GE550Y149

CÓDIGO	CONEXIÓN	ZONAS	€/ud	□	⊞
GE550Y149	1 1/4" x 3/4"	2÷4	200,65	1	-

GE551**CAJAS**

- Caja de empotrar en acero pintado al horno (RAL9010), compuesto por:
- Puerta con cierre por llave.
 - Marco regulable en profundidad.
 - Agujeros frontales y laterales con tapa de cierre para tubería de suministro.
 - Caja con pasacables para conexión eléctrica.

CÓDIGO	DIMENSIONES (L x H x P) mm	ZONA PARA KITS DE CALEF./REFRESCAMIENTO.	GUIAS PARA KITS SANITARIOS.	€/ud	□	⊞
GE551Y031	750 x 1500 x 190	3÷4	3÷4	535,05	1	-
GE551Y038	500 x 500 x 110	1	2	174,65	1	-
GE551Y039	600 x 600 x 110	1	3	248,60	1	-
GE551Y040	600 x 1100 x 110	2	6	279,90	1	-

GE551-1**CHAPA**

Chapa metálica electrozincada preparada para instalación de kits de contabilización para calefacción y/o refrigeración y de agua sanitaria y/o de servicio.

CÓDIGO	DIMENSIONES (L x H x P) mm	ZONA PARA KITS DE CALEF./REFRESCAMIENTO.	GUIAS PARA KITS SANITARIOS.	€/ud	□	⊞
GE551Y154	500 x 500 x 10	1	3	26,75	1	-

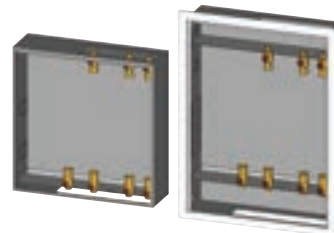
GE551-2**SOPORTES****SOPORTE PARA MÓDULO DE USUARIO CON SEPARADOR HIDRÁULICO, GE555-3**

Soporte metálico para instalación en obra de módulos y/o satélites de contabilización de usuario.

Advertencia:
El soporte viene regulado con espesor 140mm (con marco regulable), en presencia de aislamiento GE551Y174.

**GE551Y070
GE551Y071**

CÓDIGO	CONEXIÓN	DIMENSIONES (L x H x P) mm	Nº VALV. DE INTERCEPTACIÓN	€/ud	□	⊞
GE551Y070	3/4"	700 x 750 x 110÷140	4	288,65	1	-
GE551Y071	3/4"	700 x 750 x 110÷140	6	329,30	1	-

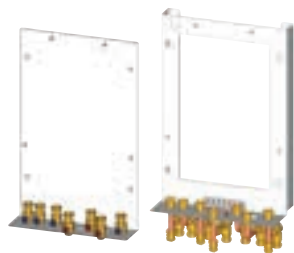
SOPORTE PARA SATÉLITE ESTÁNDAR, GE556

Soporte metálico para instalación en obra y puerta con cierre por llave.

GE551Y072: Versión exterior.
GE551Y073: Versión empotrar.

**GE551Y072
GE551Y073**

CÓDIGO	CONEXIÓN	DIMENSIONES (L x H x P) mm	Nº VALV. DE INTERCEPTACIÓN	€/ud	□	⊞
GE551Y072	3/4"	560 x 570 x 165	7	376,55	1	-
GE551Y073	3/4"	570 x 770 x 165	7	368,30	1	-

SOPORTE PARA SATÉLITE CON DOBLE INTERCAMBIADOR, GE556-1

Soporte metálico para instalación en obra con válvulas de corte en base metálica para correcto posicionamiento.

GE551Y083, GE551Y084: Para instalación con entradas/salidas de tuberías por la parte superior (pasando por detrás del soporte).

**GE551Y081
GE551Y083
GE551Y082
GE551Y084**

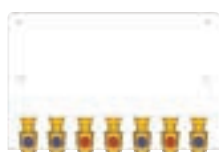
CÓDIGO	CONEXIÓN	DIMENSIONES (L x H x P) mm	Nº VALV. DE INTERCEPTACIÓN	€/ud	□	⊞
GE551Y081	3/4"	450 x 720 x 150	4	164,05	1	-
GE551Y082	3/4"	450 x 720 x 150	7	226,30	1	-
GE551Y083	Ø22	450 x 720 x 208	4	368,15	1	-
GE551Y084	Ø22	450 x 720 x 208	7	518,85	1	-

SOPORTE PARA SATÉLITE CON REGULACIÓN ELECTRÓNICA, GE556-2

Soporte metálico para instalación en obra con válvulas de corte en base metálica para correcto posicionamiento.

GE551Y074

CÓDIGO	CONEXIÓN	DIMENSIONES (L x H x P) mm	Nº VALV. DE INTERCEPTACIÓN	€/ud	□	⊞
GE551Y074	3/4"	450 x 720 x 72	7	223,55	1	-

SOPORTE PARA SATÉLITE CON VÁLVULA DE PRESIÓN DIFERENCIAL, GE556-4

Soporte metálico para instalación en obra con válvulas de corte en base metálica para correcto posicionamiento.

GE551Y075

CÓDIGO	CONEXIÓN	DIMENSIONES (L x H x P) mm	Nº VALV. DE INTERCEPTACIÓN	€/ud	□	⊞
GE551Y075	3/4"	450 x 292 x 72	7	190,00	1	-

GE551-3

ABRAZADERAS



Abrazadera de material plástico, para fijar kits de contabilización para calefacción y/o refrescamiento y para agua sanitaria o de servicio.

CÓDIGO	DIMENSIONES	USO	€/ud	□	⊞
GE551Y002	DN25	Para kits de 3/4"	2,00	1	-
GE551Y003	DN32	Para kits de 3/4"	2,25	1	-
GE551Y004	DN40	Para kits de 1"	2,40	1	-

GE551-4

AISLAMIENTOS



Aislamiento para conjunto de impulsión para calefacción y/o refrescamiento GE550Y136.
Dimensiones (LxAxP):
465x125x90mm.

GE551Y171

CÓDIGO	€/ud	□	⊞
GE551Y171	30,90	1	-



Aislamiento para contador de agua sanitaria, serie GE552-2, solo para medida de 3/4".
Dimensiones (LxAxP):
170x90x65mm.

GE551Y173

CÓDIGO	€/ud	□	⊞
GE551Y173	21,1	1	-



Aislamiento para módulo de usuario con separador hidráulico, serie GE555-3.
Dimensiones (LxAxP):
410x560x115mm.

GE551Y174

CÓDIGO	€/ud	□	⊞
GE551Y174	59,35	1	-



Aislamiento para módulo GE555Y461 y conjunto de impulsión y retorno de calefacción y/o refrigeración GE550Y166.
Dimensiones (LxAxP):
450x250x90mm.

GE551Y177

CÓDIGO	€/ud	□	⊞
GE551Y177	77,40	1	-



Aislamiento en polietileno expandido para módulos GE555Y462, GE555Y463, GE555Y468, GE555Y469 y conjuntos de impulsión y retorno para calefacción y/o refrigeración GE550Y167, GE550Y168, GE550Y169, GE550Y170, GE550Y171.
Dimensiones (LxAxP):
530x250x90mm.

GE551Y178

CÓDIGO	€/ud	□	⊞
GE551Y178	103,55	1	-



Aislamiento en polietileno expandido para conjuntos de contabilización GE550-3 con separación 70mm (códigos GE550Y112, GE550Y113, GE550Y114, GE550Y116, GE550Y117, GE550Y144, GE550Y146, GE550Y147).
Dimensiones (LxAxP):
300x110x80mm.

GE551Y179

CÓDIGO	€/ud	□	⊞
GE551Y179	48,35	1	-



Aislamiento en polietileno expandido para satélite GE556Y172-173.
Dimensiones (LxAxP):
3000x430x100mm.

GE551Y180

CÓDIGO	€/ud	□	⊞
GE551Y180	89,80	1	-



Aislamiento en polietileno expandido para satélite GE556Y152.
Dimensiones (LxAxP):
370x300x140mm.

GE551Y181

CÓDIGO	€/ud	□	⊞
GE551Y181	42,15	1	-



Aislamiento en polietileno expandido para módulo de usuario GE555Y472.

GE551Y182

CÓDIGO	€/ud	□	⊞
GE551Y182	59,20	1	-

> CONTADORES DE ENERGÍA TÉRMICA, CONTADORES DE AGUA SANITARIA Y SISTEMA DE CENTRALIZACIÓN DE DATOS

GE552

CONTADORES DE ENERGÍA TÉRMICA

VERSIÓN VOLUMÉTRICA

CÓDIGO	ENLACE	CAUDAL NOMINAL m ³ /h	CAUDAL MÁXIMO m ³ /h	ALIMENTACIÓN	DISTANCIA EJES mm	CENTRALIZACIÓN	€/ud	<input type="checkbox"/>	<input type="checkbox"/>
GE552Y215	3/4"	0,6	1,2	batería	110	M-Bus/Wireless	270,50	1	-
GE552Y216	3/4"	1,5	3,0	batería	110	M-Bus/Wireless	270,50	1	-
GE552Y217	1"	2,5	5,0	batería	130	M-Bus/Wireless	303,95	1	-

Contador de energía térmica a doble registro para medición del consumo en calefacción/refrigeración. Compuesto de:

- Unidad electrónica de cálculo.
- Medidor de caudal.
- Entradas de impulsos para contadores de agua sanitaria.
- Dos sondas de temperatura (impulsión y retorno).
- Posibilidad de comunicación M-Bus EN 1434 o Wireless M-Bus EN 13737.
- Marcado CE.

Certificado según directiva MID 2004/22/EC.

Máxima temperatura de trabajo: 90°C

Máxima presión de trabajo: 16bar.



GE552Y215
GE552Y216
GE552Y217

VERSIÓN ULTRASONIDOS

CÓDIGO	ENLACE	CAUDAL NOMINAL m ³ /h	CAUDAL MÁXIMO m ³ /h	ALIMENTACIÓN	DISTANCIA EJES mm	CENTRALIZACIÓN	€/ud	<input type="checkbox"/>	<input type="checkbox"/>
GE552Y122	3/4"	1,5	3,0	batería	110	M-Bus cableado	738,10	1	-
GE552Y123	1"	2,5	5,0	batería	130	M-Bus cableado	768,40	1	-

Contador de energía térmica a doble registro para medición del consumo en calefacción/refrigeración. Compuesto de:

- Unidad electrónica de cálculo.
- Medidor de caudal.
- Entradas de impulsos para contadores de agua sanitaria.
- Dos sondas de temperatura (impulsión y retorno).
- Posibilidad de comunicación M-Bus EN 1434 o Wireless M-Bus EN 13737.
- Marcado CE.

Certificado según directiva MID 2004/22/EC.

Máxima temperatura de trabajo: 105°C

Máxima presión de trabajo: 16bar.



GE552Y122
GE552Y123

KIT DE CONTABILIZACIÓN CON VISUALIZADOR REMOTO

NEW

CÓDIGO	DESCRIPCIÓN	ENLACE	CAUDAL NOMINAL m ³ /h	CAUDAL MÁXIMO m ³ /h	IDISTANCIA EJES mm	CENTRALIZACIÓN	€/ud	<input type="checkbox"/>	<input type="checkbox"/>
GE552Y192	Contalitos volumetrico	3/4"	1,5	3,0	110	M-Bus cableado	221,85	1	-
GE552Y193	Contalitos volumetrico	1"	2,5	5,0	130	M-Bus cableado	251,10	1	-
GE500Y308	Unidad de cálculo						285,75	1	-
GE500Y309	Visualizador						170,00	1	-
GE500Y310	Sonda de temperatura						110,40	1	-

Kit de contabilización de energía térmica compuesto de: contalitos volumétrico, unidad de cálculo, sondas de temperatura y visualizador. El contalitos volumétrico GE552Y192 o GE552Y193, en combinación con la unidad de cálculo GE500Y308 y las sondas de temperatura GE500Y310, permite la medición de energía térmica en calefacción o refrigeración. En combinación con el visualizador GE500Y309 permite consulta remota de datos de consumo en el interior de la vivienda.



GE552Y192
GE552Y193



GE500Y310



GE500Y308



GE500Y309

GE552-1

CONTADORES DE ENERGÍA TÉRMICA, CENTRALIZADA

VERSIÓN VOLUMÉTRICA

ENLACE ROSCADO

CÓDIGO	ENLACE	CAUDAL NOMINAL m³/h	CAUDAL MÁXIMO m³/h	ALIMENTACIÓN	DISTANCIA ENTRE EJES mm	CENTRALIZACIÓN	€/ud	☐	☒
GE552Y231	1 1/4"	6	12,5	batería	260	M-Bus cableado	1.118,25	1	-
GE552Y233	1 1/2"	6	12,5	batería	260	M-Bus cableado	1.123,15	1	-
GE552Y235	2"	10	20	batería	300	M-Bus cableado	1.236,45	1	-

ENLACE EMBRIADO

CÓDIGO	ENLACE	CAUDAL NOMINAL m³/h	CAUDAL MÁXIMO m³/h	ALIMENTACIÓN	DISTANCIA ENTRE EJES mm	CENTRALIZACIÓN	€/ud	☐	☒
GE552Y243	DN50	15	60	batería	200	M-Bus cableado	2.179,80	1	-
GE552Y245	DN65	25	60	batería	200	M-Bus cableado	2.344,80	1	-
GE552Y247	DN80	40	90	batería	225	M-Bus cableado	2.497,55	1	-
GE552Y249	DN100	60	180	batería	250	M-Bus cableado	2.633,00	1	-
GE552Y251	DN125	100	250	batería	250	M-Bus cableado	2.916,25	1	-
GE552Y253	DN150	150	300	batería	300	M-Bus cableado	4.032,00	1	-
GE552Y255	DN200	250	500	batería	350	M-Bus cableado	4.990,05	1	-

Contador de energía de central térmica, de doble registro, para medición de consumo de caleración/refrigeración. Compuesto por:

- Unidad electrónica de cálculo.
- Medidor de caudal.
- Disponible en versión roscada y embriada.
- Entrada por impulsos para contador de agua sanitaria.
- Dos sondas de temperatura (impulsión y retorno) con vaina portasonda.
- Protección IP65.
- Alimentación por batería de litio (duración > 6 años).
- Posibilidad de comunicación M-Bus EN 1434.
- Marcado CE.
- Certificado según directiva MID 2004/22/EC.

Rango de temperatura del fluido: 1÷150°C (versión roscada)

Rango de temperatura ambiente: 5÷55°C



VERSIÓN ULTRASONIDOS

ENLACE ROSCADO

CÓDIGO	ENLACE	CAUDAL NOMINAL m³/h	CAUDAL MÁXIMO m³/h	ALIMENTACIÓN	DISTANCIA ENTRE EJES mm	CENTRALIZACIÓN	€/ud	☐	☒
GE552Y131	1 1/4"	3,5	7	batería	260	M-Bus cableado	2.125,95	1	-
GE552Y133	1 1/4"	6,0	12	batería	260	M-Bus cableado	2.255,55	1	-
GE552Y135	2"	10,0	20	batería	300	M-Bus cableado	3.506,65	1	-

ENLACE EMBRIADO

CÓDIGO	ENLACE	CAUDAL NOMINAL m³/h	CAUDAL MÁXIMO m³/h	ALIMENTACIÓN	DISTANCIA ENTRE EJES mm	CENTRALIZACIÓN	€/ud	☐	☒
GE552Y139	DN25	6,0	12	batería	260	M-Bus cableado	2.352,25	1	-
GE552Y141	DN40	10,0	20	batería	300	M-Bus cableado	3.431,15	1	-
GE552Y143	DN50	15,0	30	batería	270	M-Bus cableado	4.342,85	1	-
GE552Y145	DN65	25,0	50	batería	300	M-Bus cableado	5.480,00	1	-
GE552Y147	DN80	40,0	80	batería	300	M-Bus cableado	6.102,90	1	-
GE552Y149	DN100	60,0	120	batería	360	M-Bus cableado	9.087,15	1	-

Contador de energía de central térmica, de doble registro, para medición de consumo de caleración/refrigeración. Compuesto por:

- Unidad electrónica de cálculo.
- Medidor de caudal.
- Disponible en versión roscada y embriada.
- Entrada por impulsos para contador de agua sanitaria.
- Dos sondas de temperatura (impulsión y retorno) con vaina portasonda.
- Protección IP64.
- Alimentación por batería de litio (duración > 12 años).
- Posibilidad de comunicación M-Bus EN 1434.
- Marcado CE.
- Certificado según directiva MID 2004/22/EC.

Rango de temperatura del fluido: 1÷150°C (versión roscada)

Rango de temperatura ambiente: 5÷55°C



KIT DE CONTABILIZACIÓN WIRELESS DE CENTRAL

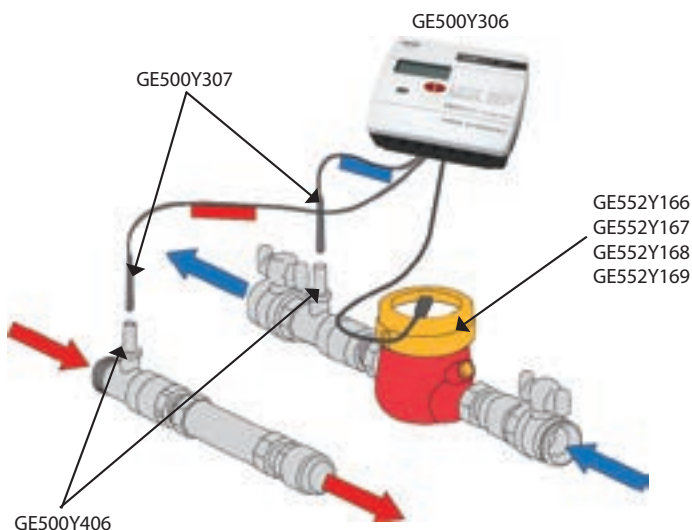
NEW

CALCULADOR DE ENERGÍA Y ACCESORIOS

CÓDIGO	DESCRIPCIÓN	EURO/pcs.	<input type="checkbox"/>	<input type="checkbox"/>
GE500Y306	Calculadora de energía térmica	541,90	1	-
GE500Y406	Vaina para alojar la sonda	20,30	1	-
GE500Y307	Par de sondas de temperatura PT1000	123,20	1	-

La centralita GE500Y306 es un contador de calor separado que mide la energía utilizada para calefacción o refrigeración del agua de la instalación con tubos de diámetro tal que no permita la instalación de versión compacta. Se conecta a la salida de impulsos de un contador de agua sanitaria para medición del volumen de agua utilizado.

La elaboración de datos relativos a la diferencia entre la temperatura del agua de impulsión y retorno, así como el dato de volumen de agua utilizada por cada usuario, permite calcular la cantidad de energía entregada.



CONTADOR AGUA SANITARIA, DE CENTRAL

CÓDIGO	ENLACE	TIPOLOGÍA AGUA SANITARIA	CAUDAL PERMANENTE Q3 m³/h	MAX. TEMPERATURA AGUA	DISTANCIA ENTRE EJES mm	CENTRALIZACIÓN	€/ud	<input type="checkbox"/>	<input type="checkbox"/>
GE552Y166	1"	Calda	6,3	90°C	260	M-Bus cableado	Consultar	1	-
GE552Y167	1 1/4"	Calda	10	90°C	260	M-Bus cableado	Consultar	1	-
GE552Y168	1 1/2"	Calda	16	90°C	300	M-Bus cableado	Consultar	1	-
GE552Y169	2"	Calda	25	90°C	300	M-Bus cableado	Consultar	1	-

CONFORMIDAD DIRECTIVA MID (2004/22/CE)

Dispositivos de medida: conformidad a la directiva MID.

El uso de instrumentos de medida para la lectura de datos de consumo desempeña un papel importante por las consecuencias que conlleva su lectura, como la protección del usuario y la correcta repartición de consumos.

Por este motivo, los Estados de la Unión Europea han desarrollado la Directiva MID (2004/22/CE) que define los requisitos a los que deben ajustarse los instrumentos de medida para poder comercializarse y ponerse en marcha.

La gama de módulos y satélites de usuario Giacomini contienen exclusivamente dispositivos de medida conformes a la Directiva mencionada, como demuestra la presencia de su cuerpo la marca metrológica MID al lado del macado CE.



GE552-2

CONTADOR AGUA SANITARIA

CÓDIGO	ENLACE	TIPOLOGIA AGUA SANITARIA	CAUDAL Q3 m ³ /h	MAX. TEMPERATURA AGUA	DIST. ENTRE EJES mm	CENTRALIZACIÓN	€/ud	□	⊞
GE552Y190	3/4"	Fria	2,5	30°C	110	Salida a impulsos	90,70	1	-
GE552Y195	1"	Fria	4,0	30°C	130	Salida a impulsos	90,90	1	-
GE552Y191	3/4"	Caliente	2,5	90°C	110	Salida a impulsos	90,70	1	-
GE552Y196	1"	Caliente	4,0	90°C	130	Salida a impulsos	90,90	1	-
GE552Y124	3/4"	Fria	2,5	30°C	110	Opción Wireless M-Bus	53,10	1	-
GE552Y125	1"	Fria	4,0	30°C	130	Opción Wireless M-Bus	64,65	1	-
GE552Y126	3/4"	Caliente	2,5	90°C	110	Opción Wireless M-Bus	58,85	1	-
GE552Y127	1"	Caliente	4,0	90°C	130	Opción Wireless M-Bus	72,80	1	-

Contador de agua sanitaria de chorro único, para medición de consumo de agua caliente o fría sanitaria. Caracterizado por:

- Medidor de caudal y dial circular.
- Posibilidad de comunicación de datos según estándar M-Bus EN 1434 o Wireless M-Bus EN 13757.
- Marcado CE.
- Certificado según directiva MID 2004/22/EC (excepto GE552Y112-114).

Temperatura máxima de trabajo: 30°C para agua fría sanitaria
Temperatura máxima de trabajo: 90°C para agua caliente sanitaria
Presión máxima de trabajo: 10bar o 16bar (según código).



R37

NO CROMADO

CÓDIGO	MEDIDA	€/ud	CL	□	⊞
R37Y003	1/2"M x 3/4"F	2,90	R	25	250
R37Y004	3/4"M x 1"F	4,65	R	10	100



CROMADO

CÓDIGO	MEDIDA	€/ud	CL	□	⊞
R37X003	1/2"M x 3/4"F	3,00	R	25	250
R37X004	3/4"M x 1"F	4,75	R	10	100

Racor para conexión de contador. Para instalaciones hidráulicas.

Rango de temperatura: 5÷110°C
Presión máxima de trabajo: 10bar.

GE552-3

CONTADOR AGUA SANITARIA, DE CENTRAL

CÓDIGO	ENLACE	TIPOLOGIA AGUA SANITARIA	CAUDAL PERMANENTE Q3 m ³ /h	MAX. TEMPERATURA AGUA	DIST. ENTRE EJES mm	CENTRALIZACIÓN	€/ud	□	⊞
GE552Y161	1"	Fria	6,3	30°C	260	M-Bus cableado	Consultar	1	-
GE552Y162	1 1/4"	Fria	10	30°C	260	M-Bus cableado	Consultar	1	-
GE552Y163	1 1/2"	Fria	16	30°C	300	M-Bus cableado	Consultar	1	-
GE552Y164	2"	Fria	25	30°C	300	M-Bus cableado	Consultar	1	-
GE552Y166	1"	Caliente	6,3	90°C	260	M-Bus cableado	Consultar	1	-
GE552Y167	1 1/4"	Caliente	10	90°C	260	M-Bus cableado	Consultar	1	-
GE552Y168	1 1/2"	Caliente	16	90°C	300	M-Bus cableado	Consultar	1	-
GE552Y169	2"	Caliente	25	90°C	300	M-Bus cableado	Consultar	1	-

Contador de agua sanitaria de central térmica, de chorro múltiple, para medición de consumo de agua caliente o fría sanitaria. Caracterizado por:

- Medidor de caudal y dial circular.
- Posibilidad de comunicación de datos según estándar M-Bus EN 1434.
- Marcado CE.
- Certificado según directiva MID 2004/22/EC.

Temperatura máxima de trabajo: 30°C para agua fría sanitaria
Temperatura máxima de trabajo: 90°C para agua caliente sanitaria
Presión máxima de trabajo: 16bar.



GE552-4**NEW****CENTRALIZACIÓN M-BUS**

El nuevo sistema modular de centralización de datos M-Bus se compone de dos soluciones y permite instalar en serie varios dispositivos, ampliando la posibilidad de lectura de 60 hasta 250 dispositivos.

La solución base consiste en utilizar un concentrador local M-Bus que gestiona hasta 60 dispositivos y permite la consulta y adquisición de datos in situ en PC mediante software específico y cable USB. Se pueden instalar en serie hasta 4 concentradores locales y gestionar así hasta 240 dispositivos.

La solución completa se compone de un datalogger con webserver integrado que gestiona hasta 4 concentradores locales expandiendo la red a 250 dispositivos.

Ventajas:

- El webserver integrado permite la configuración, búsqueda y consulta de datos de todos los dispositivos que componen la red M-Bus directamente sobre la pantalla del dispositivo.
- Mediante conexión remota por router es posible gestionar y visualizar todos los datos en PC o smartphone.
- Gestionar las alarmas por fallo, manipulación o superación de umbrales configurable con envío de e-mail.
- Planificación para la generación y envío de informe sobre datos capturados

Concentrador local

CÓDIGO	€/ud	□	⊞
GE552Y050	988,65	1	-
GE552Y056 software	Consultar	1	-

Concentrador local para adquisición, elaboración y registro de datos procedentes de dispositivos de la red M-Bus.

Gestión de hasta 60 dispositivos..

Utilizar con software para adquisición de datos GE556Y056.

(el código del software hace referencia a una sola licencia de uso para PC).

**Datalogger M-Bus**

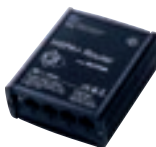
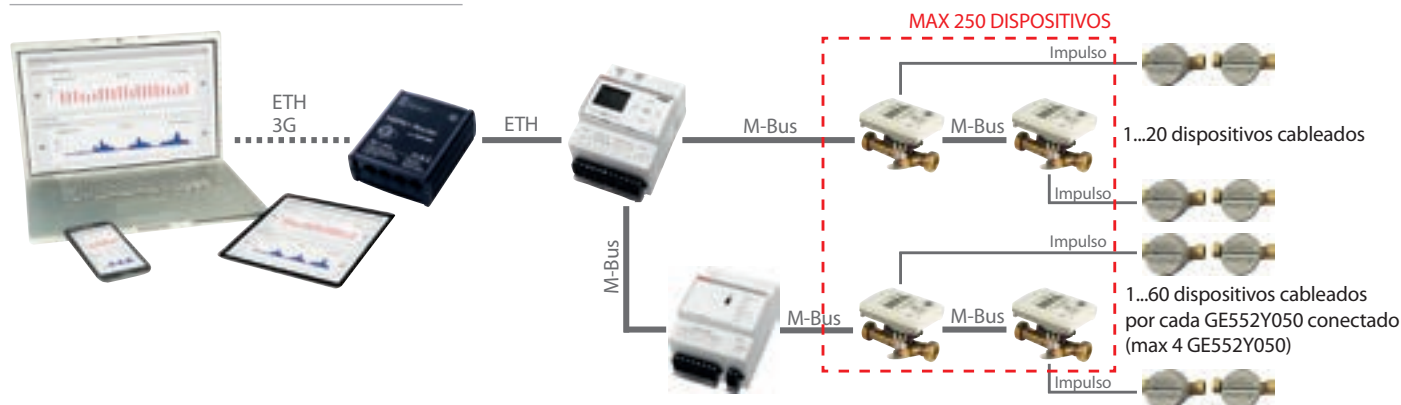
CÓDIGO	€/ud	□	⊞
GE552Y051	1.934,45	1	-

Datalogger M-Bus para adquisición, elaboración y registro de datos procedentes del concentrador GE552Y050 (máx. 4 concentradores). Gestiona directamente hasta 20 dispositivos y puede expandir la red M-Bus hasta 250 dispositivos.

**Módem router**

CÓDIGO	€/ud	□	⊞
GE552Y055	1.421,00	1	-

Módem router 3G/EDGE/GPRS - wireless para conexión remota del datalogger GE552Y051 o GE552Y052

**ESQUEMA DE EJEMPLO**

GE552-4

CENTRALIZACIÓN M-BUS

Modulo M-Bus para contadores de agua sanitaria

CÓDIGO	€/ud	□	□
GE552Y014	82,35	1	-

Instalar sobre el dial del contador de agua sanitaria GE552Y124, GE552Y125, GE552Y126, GE552Y127.



CENTRALIZACIÓN DATOS CON M-BUS

Dispositivos de medida: conformidad a la Norma Europea EN 1434.

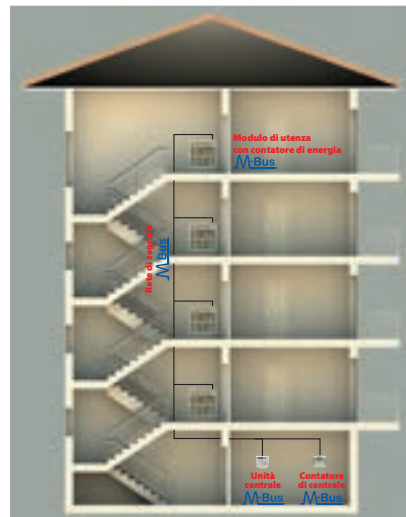
La optimización de consumos energéticos en los edificios modernos requiere medir con precisión el consumo de energía térmica y el agua sanitaria y transmitirlo de modo fiable al operador que gestiona los datos para repartir la factura energética.

El sistema M-Bus (Meter-Bus) ha estado desarrollado específicamente para permitir el intercambio de información y la lectura remota de los equipos de medida.

Periódicamente los dispositivos de medida envían los datos recopilados a un dispositivo central que los deja a disposición local o remota (vía modem) según necesidades del edificio.

El sistema se caracteriza por la integridad de la transmisión de datos, obtenida gracias a una elevada inmunidad a las interferencias y al cumplimiento de los requisitos especiales que se imponen a los instrumentos de medida alimentados a batería.

M-Bus es conforme a la norma europea EN 1434 sobre contadores de energía térmica y en particular a la parte 3 "Intercambio de datos e interfaces".



GE552-W**NEW****CENTRALIZACIÓN WIRELESS M-BUS**

La centralización Wireless M-Bus (868MHZ) es conforme al estándar EN 13757. Los datos de consumo pueden ser transmitidos en modalidad remota o en modalidad Walk-by.

MODALIDAD REMOTA

El nuevo sistema modular de centralización M-Bus Wireless está compuesta de un datalogger GE552Y052 (con webserver integrado) y de antenas repetidoras de señal radio GE552Y053. El sistema permite:

- Instalar en serie varios dispositivos wireless y cableados, ampliando la posibilidad de lectura hasta 500 dispositivos.
- Gestionar directamente 500 dispositivos wireless o 20 dispositivos cableados y 480 wireless.

Es posible expandir el número de dispositivos cableados hasta 250, conectando más concentradores locales GE552Y050 al datalogger GE552Y052, manteniendo la posibilidad de gestionar hasta 250 dispositivos wireless.

Ventajas

- El webserver integrado permite la configuración, búsqueda y consulta de datos de todos los dispositivos que componen la red M-Bus / M-Bus Wireless directamente sobre el display del dispositivo.
- Mediante conexión remota por router es posible gestionar y visualizar todos los datos en un Pc o un smartphone.
- Gestionar las alarmas por fallo, manipulación o superación de umbrales configurable con envío de e-mail.
- Planificación para la generación y envío de informe sobre datos capturados.

Datalogger M-Bus / Wireless M-Bus

CÓDIGO	€/ud	□	⊞
GE552Y052	2.015,95	1	-

Datalogger M-Bus / Wireless M-Bus para adquisición, elaboración, registro de datos procedentes de dispositivos M-Bus cableados o wireless. Gestión directa de hasta 500 dispositivos wireless y 20 dispositivos cableados. Alimentación 24V (alimentador no incluido).

**Repetidor y concentrador wireless**

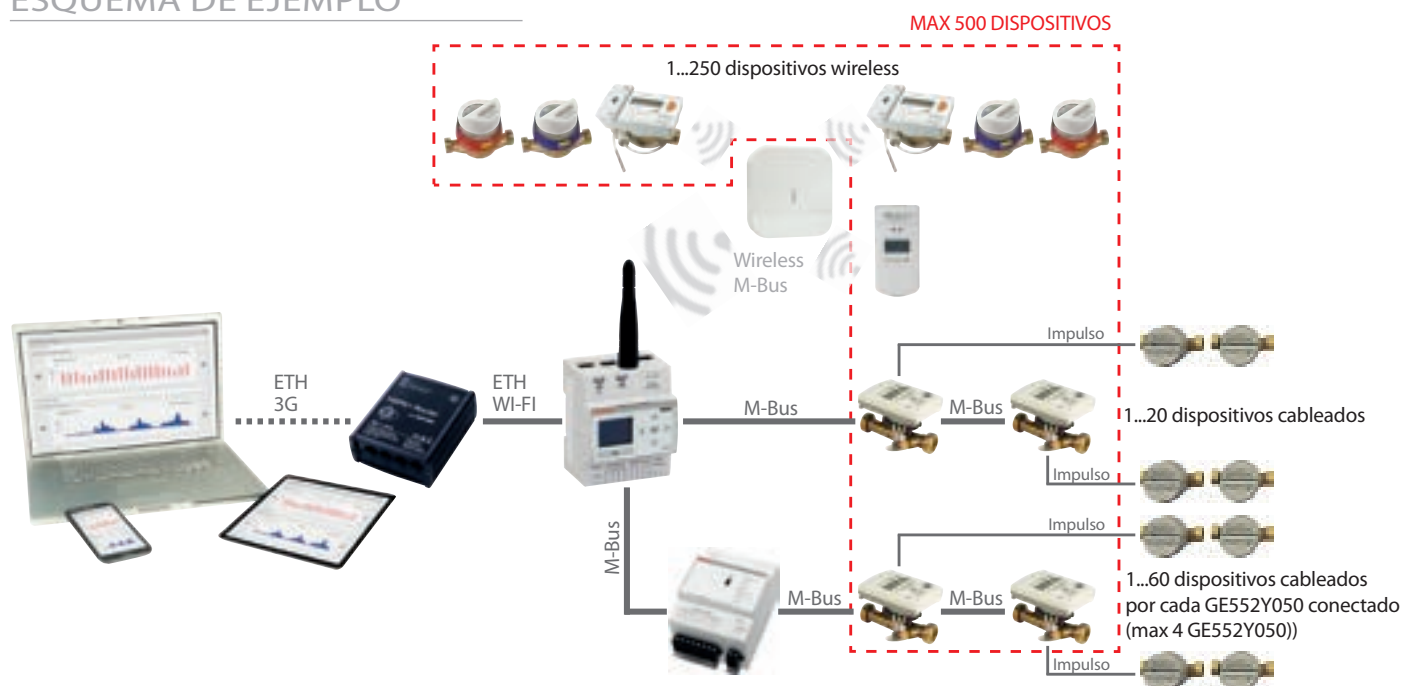
CÓDIGO	€/ud	□	⊞
GE552Y053	1.017,15	1	-

Repetidor y concentrador wireless para extensión del alcance radio de dispositivos y envío de datos al datalogger GE552Y052. Alimentación a 230V.

**Modem router**

CÓDIGO	€/ud	□	⊞
GE552Y055	1.421,00	1	-

Módem router 3G/EDGE/GPRS - wireless para conexión remota del datalogger GE552Y051 o GE552Y052.

**ESQUEMA DE EJEMPLO**

Software para centralización de datos wireless.

CÓDIGO	USO	€/ud	□	⊞
GE552Y034 *	contadores de agua	299,05	1	-
GE552Y035 *	contadores de energía	299,05	1	-
GE700Y151 *	repartidores costes	284,15	1	-
GESWY001	todos los dispositivos	Consultar	1	-

El software permite configurar y gestionar de forma simple el sistema de contabilización Wireless.

El código se refiere a UNA licencia de uso, para un solo ordenador

NEW

* Hasta fin de existencias.

MODALIDAD WALK-BY

Datos enviados a PC, recepción obtenida por antena GE552Y043 conectada a un puerto USB.

Antena receptora datos wireless

CÓDIGO	€/ud	□	⊞
GE552Y043	1.073,70	1	-

Receptor de datos wireless para dispositivos instalados en edificio (repartidores, módulos wireless para contador). Conexión a PC por puerto USB. Alcance hasta 400m en espacio diáfano.



DISPOSITIVOS WIRELESS PARA CONTADORES

Modulo Wireless para contadores de agua sanitaria

CÓDIGO	€/ud	□	⊞
GE552Y016	105,85	2	-

Instalar sobre el contador de agua sanitaria, código GE552Y124, GE552Y125, GE552Y126, GE552Y127.



Tarjeta wireless para contador de energía

CÓDIGO	€/ud	□	⊞
GE552Y027	63,35	2	-

Instalar sobre el contador de energía, código GE552Y215, GE552Y216, GE552Y217.



> RECAMBIOS

GE500

CÓDIGO	CARACTERÍSTICAS	€/ud	□	⊞
GE500Y401	latón	9,85	1	-
GE500Y402	plástico	6,15	1	-

Kit portasonda de recambio M10x1 para medidor de energía.





A piece of life.



NUEVA GIACOMINI R206C. EQUILIBRIO PERFECTO.



El departamento de desarrollo de Giacomini ha creado el R206C, una válvula de control de presión diferencial capaz de equilibrar todos los sistemas, garantizando así unas prestaciones óptimas a nivel de confort y ahorro de energía. El exclusivo campo de doble regulación hace el trabajo de arquitectos, distribuidores e instaladores, mucho más sencillo. La R206C forma parte de la amplia gama de soluciones de Giacomini dedicadas al equilibrado de circuitos. Los productos de vanguardia ya son parte de su vida. *Giacomini, a piece of life.*

giacomini.com

Componentes para instalaciones

> Primario de calefacción:	200
Separadores hidráulicos y desfangadores magnéticos	
> Distribución hidráulica	205
Purgadores	
Válvula de 6 vías	
Válvulas de zona	
Equilibrado dinámico	
Equilibrado estático	
Control de la presión diferencial	
> Suministro agua sanitaria	214
Reductores de presión	
Mezcladores termostáticos	
> Dispositivos de seguridad	216
Válvulas y grupos de seguridad	
Vaciado	
Filtros	
Retención	
Termostatos	
Presostatos	
Termómetros	
Manómetros	
VDP. Válvula limitadora de presión diferencial máxima	
> Llenado de la instalación	224
> Instalación de gasoil	226
> Instalación de biomasa	228
> Instalación solar térmica	231
Captadores solares	
Acumuladores	
Grupos de recirculación	
Centralitas	
Accesorios	



> PRIMARIO DE CALEFACCIÓN

R146I

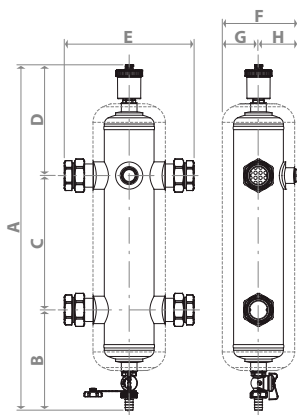
CONEXIÓN ROSCADA

CÓDIGO	MEDIDA	€/ud		
R146IY005	1"	347,15	1	-
R146IY006	1 1/4"	414,75	1	-
R146IY007	1 1/2"	481,75	1	-
R146IY008	2"	597,85	1	-

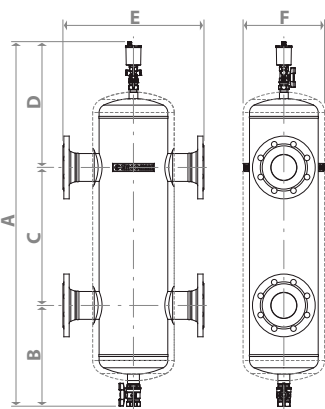
CONEXIÓN EMBRIDADA

CÓDIGO	MEDIDA	€/ud		
R146IY105	DN50	1.376,90	1	-
R146IY106	DN65	1.408,90	1	-
R146IY108	DN80	1.791,65	1	-
R146IY110	DN100	2.053,10	1	-
R146IY112	DN125	3.402,55	1	-
R146IY115	DN150	3.872,05	1	-

VERSIÓN ROSCADA



VERSIÓN EMBRIDADA



CONEXIÓN ROSCADA



CONEXIÓN EMBRIDADA



Separador hidráulico para independizar hidráulicamente el circuito primario (producción) y circuito secundario (uso).

Fabricado en acero pintado. Conexiones roscadas o embreadas.

Aislamiento con coquilla preformada de 20mm.

Incluye purgador automático, grifo de descarga con toma de manguera y tapón con juntas.

Válido para agua o solución glicolada (máximo 30% para versión roscada, máximo 50% para versión embreada).

Temperatura máxima de trabajo 110°C.

Presión máxima de trabajo 10bar.

NOTAS

VERSIÓN ROSCADA:

Conexiones ISO 228 (cilíndrica) para 1" y 1 1/4" e ISO 7/1 (cónica) para 1 1/2" y 2".

Aislamiento: espuma poliuretánica expandida rígida de célula cerrada, con revestimiento externo en aluminio con relieve de 0,7mm (densidad 40Kg/m³, conductividad térmica 0,0235W/mK, Clase 1 de reacción al fuego para revestimiento externo).

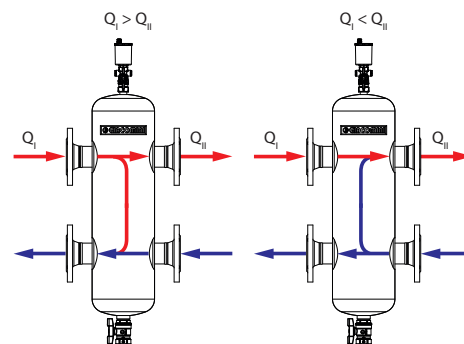
VERSIÓN EMBRIDADA:

BRIDA EN 1092-1 PN16.

Aislamiento: Polietileno expandido de célula cerrada (densidad 30Kg/m³, conductividad térmica 0,038W/mK, clase B2 de reacción al fuego).

ESQUEMA DE FLUJO

El separador hidráulico permite independizar el caudal del circuito primario del caudal del circuito secundario. En el caso que el caudal de un circuito, primario o secundario, supere el otro, una parte es By-paseada dentro del separador. Es posible, de este modo, tener de producción a caudal constante y un circuito de distribución a caudal variable.



DATOS TÉCNICOS Y DIMENSIONALES

CÓDIGO	CONEXIÓN		CONEXIÓN GRIFO DESCARGA	AISLAMIENTO	CAUDAL MAX [m ³ /h]	VOLUMEN [litros]	PESO [kg]	DIMENSIONES [mm]							
	TIPO	DIMENSIONES						A	B	C	D	E	F	G	H
R146IY005	roscado	1"	1/2" M con racor portamanguera	espuma poliuretánica expandida rígida a célula cerrada.	2,5	1,5	2,7	572	167	220	185	213	123	59	64
R146IY006		1 1/4"			4	2,5	3,7	617	179	240	198	232	136	65	71
R146IY007		1 1/2"			6	4,5	5,7	667	194	260	213	310	161	78	83
R146IY008		2"			9	7,2	7,2	712	207	280	225	353	187	91	96
R146IY105	embreado	DN50	1" F	polietileno expandido a célula cerrada	10,5	10	19	884	262	280	342	330	181		
R146IY106		DN65			17,5	17	25	1004	282	360	362	360	210		
R146IY108		DN80			25	36	36	1164	322	440	402	450	260		
R146IY110		DN100			42	66	48	1284	352	500	432	500	314		
R146IY112		DN125			65	105	73	1484	402	600	482	550	365		
R146IY115		DN150			95	109	97	1683	452	700	531	600	397		

R146IM

CONEXIÓN ROSCADA

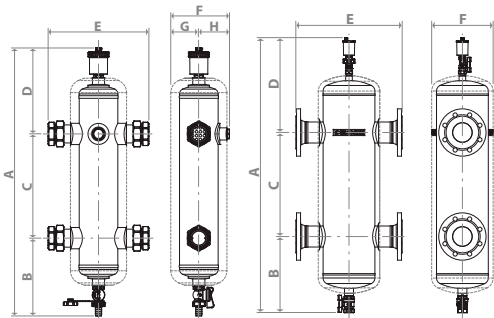
CÓDIGO	MEDIDA	€/ud	□	⊞
R146IM005	1"	370,30	1	-
R146IM006	1 1/4"	432,30	1	-
R146IM007	1 1/2"	505,00	1	-
R146IM008	2"	620,00	1	-

CONEXIÓN EMBRIDADA

CÓDIGO	MEDIDA	€/ud	□	⊞
R146IM105	DN50	1.864,45	1	-
R146IM106	DN65	1.884,65	1	-
R146IM108	DN80	2.286,00	1	-
R146IM110	DN100	2.450,30	1	-
R146IM112	DN125	3.816,85	1	-
R146IM115	DN150	4.248,60	1	-

VERSIÓN ROSCADA

VERSIÓN EMBRIDADA



CONEXIÓN ROSCADA Y CONEXIÓN EMBRIDADA



Separador hidráulico con núcleo magnético para separación y eliminación de impurezas sólidas. Incluye purgador automático, grifo de descarga con toma de manguera, barra magnética y aislamiento.

Fabricado en acero pintado. Conexiones roscadas o embriadas.

Válido para agua o solución glicolada (máximo 30% para versión roscada y 50% para versión embriada). Temperatura máxima de trabajo 110°C.

Presión máxima de trabajo 10bar.

NOTAS

VERSIÓN ROSCADA:

Conexiones ISO 228 (cilíndrica) para 1" y 1 1/4" e ISO 7/1 (cónica) para 1 1/2" y 2".

Aislamiento: PE expandido con revestimiento externo en aluminio gofrado, grosor 20mm y densidad 30Kg/m³, conductividad térmica 0,038W/mK, Clase B2 de reacción al fuego.

VERSIÓN EMBRIDADA:

BRIDA EN 1092-1 PN16.

Aislamiento: Polipropileno de 20mm y densidad 30Kg/m³. Conductividad térmica 0,039 W/mK. Clase B2 de protección al fuego.

DATOS TÉCNICOS Y DIMENSIONES

CÓDIGO	CONEXIÓN		CONEXIÓN GRIFO DESCARGA	AISLAMIENTO	CAUDAL MAX [m ³ /h]	VOLUMEN [litros]	PESO [kg]	DIMENSIONES [mm]							
	TIPO	DIMENSIONES						A	B	C	D	E	F	G	H
R146IM005	roscado	1"	1/2" M con racor portamanguera	PE de celda abierta con revestimiento en aluminio gofrado.	2,5	1,5	2,7	572	167	220	185	213	123	59	64
R146IM006		1 1/4"			4	2,5	3,7	617	179	240	198	232	136	65	71
R146IM007		1 1/2"			6	4,5	5,7	667	194	260	213	310	161	78	83
R146IM008		2"			9	7,2	7,2	712	207	280	225	353	187	91	96
R146IM105	embriado	DN50	1" H	polipropileno	10,5	10	19	884	262	280	342	330	181		
R146IM106		DN65			17,5	17	25	1004	282	360	362	360	210		
R146IM108		DN80			25	36	36	1164	322	440	402	450	260		
R146IM110		DN100			42	66	48	1284	352	500	432	500	314		
R146IM112		DN125			65	105	73	1484	402	600	482	550	365		
R146IM115		DN150			95	109	97	1683	452	700	531	600	397		

R586SEP

CÓDIGO	MEDIDA	€/ud	□	⊞
R586SEY02	1 1/4" Hx1" M - (2 derivaciones)	412,40	1	-
R586SEY03	1 1/4" Hx1" M - (3 derivaciones)	506,15	1	-

Colector de central térmica en acero para circuito primario y secundario. Incluye purgador automático, grifo de descarga y aislamiento.

Llave para transformar el colector en separador hidráulico.

Rango de temperatura: 5÷110°C.

Presión máxima de trabajo: 6 bar.

separación entre ejes: 125 mm.



R588SEP

CÓDIGO	MEDIDA	€/ud	□	⊞
R588SEY01	-	50,15	1	-

Conjunto de dos soportes para instalación a pared del colector R586SEP. Incluye arandela y tuerca M8 para fijación



R146C

CÓDIGO	MEDIDA	€/ud	□	⊞
R146CX004	3/4" M	97,15	1	10
R146CX005	1" M	139,90	1	10



Desfangador magnético compacto para separación y eliminación de las impurezas presentes en la instalación.

Cuerpo en latón niquelado con conexiones roscadas.

Incluye purgador, grifo de descarga orientable, filtro en acero inoxidable para separación de impurezas.

Válido para agua o solución glicolada (máximo 50%).

Rango temperatura de trabajo: 5÷90°C.

Presión máxima de trabajo 10bar.

R254P

NO CROMADA

CÓDIGO	MEDIDA	€/ud	□	⊞
R254PY034	3/4"x3/4"	5,25	1	50

Válvula de esfera cromada con conexión macho-hembra con tuerca y junta plana, específica para contadores. Accionamiento por palomilla roja. Válida para instalaciones hidráulicas.

Rango de temperatura -20 ÷ 185 °C.

NOTAS

Verificar la aplicación real de la válvula y las certificaciones de la misma consultando la documentación técnica específica.



R176P

CÓDIGO	MEDIDA	€/ud	□	⊞
R176PY008	3/4Fx3/4F	12,00	1	250

Racor prolongador base adaptador, acabado cromado, con tuerca loca. Conexión para adaptador de tubo de cobre, plástico o multicapa.

Longitud 30mm.

Rango de temperatura 5 ÷ 110 °C.

Presión máxima de trabajo 10bar.



R146D

CONEXIÓN ROSCADA

CÓDIGO	MEDIDA	€/ud	□	⊞
R146DY014	3/4"	94,40	1	-
R146DY015	1"	98,10	1	-
R146DY016	1 1/4"	107,50	1	-
R146DY017	1 1/2"	113,80	1	-
R146DY018	2"	114,20	1	-

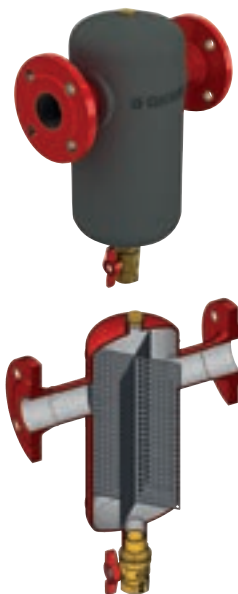
CONEXIÓN EMBRIADA

CÓDIGO	MEDIDA	€/ud	□	⊞
R146DY105	DN50	1.132,65	1	-
R146DY106	DN65	1.189,60	1	-
R146DY108	DN80	1.491,40	1	-
R146DY110	DN100	2.070,80	1	-
R146DY112	DN125	3.406,50	1	-
R146DY115	DN150	3.945,75	1	-

CONEXIÓN ROSCADA



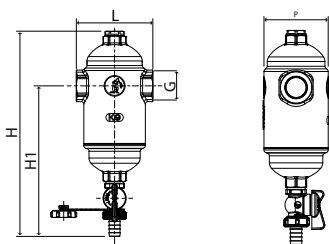
CONEXIÓN EMBRIADA



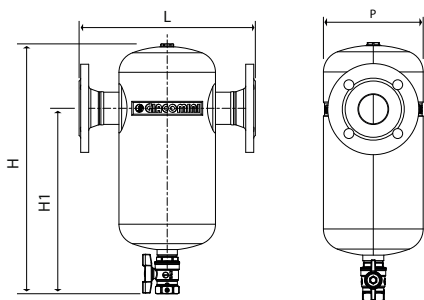
El desfangador permite la separación y eliminación de las impurezas presentes en el circuito hidráulico de los sistemas de calefacción y climatización modernos.

Las impurezas vienen separadas mediante un conjunto de superficies metálicas reticulares dispuestas radialmente que generando movimientos giratorios y colisiones permiten la separación y precipitación en la parte inferior, donde pueden ser evacuadas mediante el grifo de descarga.

VERSIÓN ROSCADA



VERSIÓN EMBRIADA



Desfangador para separación y eliminación de las impurezas presentes en la instalación.

Utilizable como desaireador-desfangador mediante instalación de purgador R99S (no incluido) en conexión superior.

Cuerpo en latón con conexiones roscadas o cuerpo en acero con conexiones embreadas (con aislamiento incluido).

Incluye grifo de descarga con toma de manguera, tapón con juntas y filtro de acero para separación de impurezas.

Válido para agua o solución glicolada (máximo 30% para versión rosca, máximo 50% para versión embreada).

Temperatura máxima de trabajo 110°C.

Presión máxima de trabajo 10bar.

NOTAS

Conexión superior de 1/2"H con tapón.

VERSIÓN ROSCADA

Conexión ISO.

VERSIÓN EMBRIADA

Bridas EN 1092-1 PN16.

Aislamiento: polietileno expandido de célula cerrada de 20mm de grosor (densidad 30Kg/m³, conductividad térmica 0,038W/mK, clase B2 de reacción al fuego).

DATOS TÉCNICOS Y DIMENSIONES

CÓDIGO	CUERPO	CONEXIÓN		CONEXIÓN GRIFO DESCARGA	CAUDAL MAX [m ³ /h]	VOLUMEN [litros]	PESO [kg]	DIMENSIONES [mm]								
		TIPO	DIMENSIONES					L	H	H1	P					
R146DY014	latón CW617 (UNI EN 12165)	roscado	3/4"	1/2" M con racor portamanguera	1,5	0,45	2	97	260	191	78					
R146DY015			1"		2,5	0,46										
R146DY016			1 1/4"		4	0,60										
R146DY017			1 1/2"		6	0,62										
R146DY018			2"		9	0,69										
R146DY105	acero pintado	embreado	DN50	1" F	10,5	5,7	11	330	468	347	181					
R146DY106			DN65		17,5	9,6						15	360	528	392	210
R146DY108			DN80		25	19,3						22	450	608	462	260
R146DY110			DN100		42	33,6						30	500	668	502	314
R146DY112			DN125		65	55,5						43	550	768	577	365
R146DY115			DN150		95	78,8						60	600	868	622	397

R146M

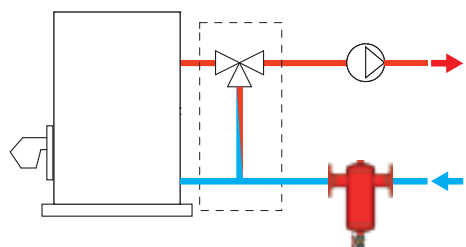
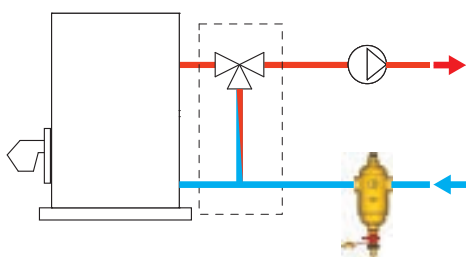
CONEXIÓN ROSCADA

CÓDIGO	MEDIDA	€/ud	□	⊞
R146MY014	3/4"FF	135,70	1	5
R146MY015	1"FF	142,35	1	5
R146MY016	1 1/4"FF	152,85	1	5
R146MY017	1 1/2"FF	153,90	1	5
R146MY018	2"FF	156,65	1	5

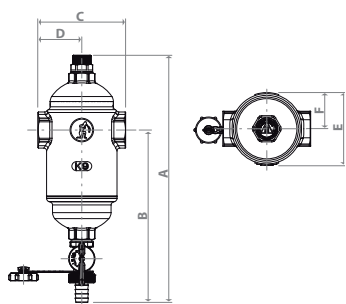
CONEXIÓN EMBRIDADA

CÓDIGO	MEDIDA	€/ud	□	⊞
R146MY105	DN50	1.190,25	1	-
R146MY106	DN65	1.249,60	1	-
R146MY108	DN80	1.553,70	1	-
R146MY110	DN100	2.103,05	1	-
R146MY112	DN125	3.453,05	1	-
R146MY115	DN150	4.029,15	1	-

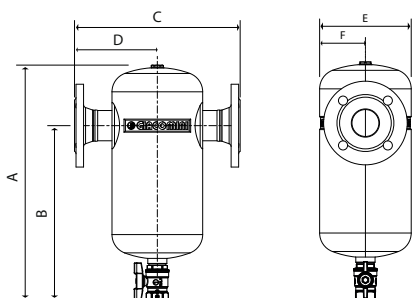
INSTALACIÓN



VERSIÓN ROSCADA



VERSIÓN EMBRIDADA



CONEXIÓN ROSCADA



CONEXIÓN EMBRIDADA



Desfangador magnético para separación y eliminación de las impurezas presentes en la instalación.

Cuerpo en latón con conexiones roscadas (aislamiento opcional R146W) o cuerpo en acero con conexiones embreadas, con aislamiento incluido.

Incluye kit magnético P146M.

Incluye grifo de descarga con toma de manguera y filtro de acero para separación de impurezas.

Válido para agua o solución glicolada (máximo 30% para versión roscada, máximo 50% para versión embreada).

Temperatura máxima de trabajo 110°C.

Presión máxima de trabajo 10bar

NOTAS

VERSIÓN ROSCADA:

Kit magnético con conexión 1/2"M.

Conexión roscada hembra ISO 228.

VERSIÓN EMBREADA:

Kit magnético con conexión 1/2"M.

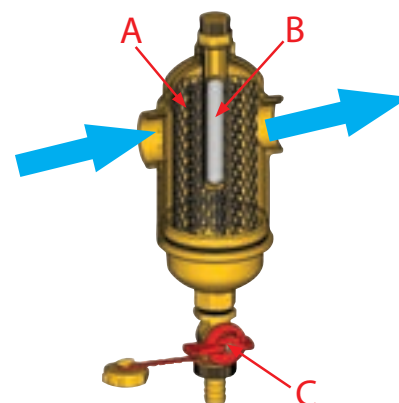
Bridas EN 1092-1 PN16

Aislamiento: polietileno expandido de célula cerrada de 20mm de grosor (densidad 30Kg/m³, conductividad térmica 0,038W/mK, clase B2 de reacción al fuego).

FUNCIONAMIENTO

El flujo entra en el desfangador y sufre una ralentización que favorece la separación de impurezas sólidas presentes en el fluido. Las impurezas sólidas son separadas posteriormente a la colisión con la malla metálica(A), las ferrosas son atraídas por el iman central (B).

Es posible realizar la limpieza del filtro sin desmontarlo y/o parar la instalación, abriendo el grifo de descarga (C) y extrayendo el iman (B) de la vaina por la parte superior.



DATOS TÉCNICOS Y DIMENSIONES

CÓDIGO	CUERPO	CONEXIÓN		CONEXIÓN GRIFO DESCARGA	CAUDAL MAX [m ³ /h]	VOLU-MEN [litros]	PESO [kg]	DIMENSIONI [mm]												
		TIPO	DIMENSIONES					A	B	C	D	E	F							
R146MY014	latón CW617 (UNI EN 12165)	roscado	3/4"	1/2" M con racor portamanguera	1,5	0,45	2	274	191	97	49	81	40							
R146MY015			1"		2,5	0,46														
R146MY016			1 1/4"		4	0,60														
R146MY017			1 1/2"		6	0,62														
R146MY018			2"		9	0,69														
R146MY105	acero pintado	embreado	DN50	1" F	10,5	5,7	11	468	347	330	165	181	90							
R146MY106			DN65		17,5	9,6								15	528	392	360	180	210	105
R146MY108			DN80		25	19,3								22	608	462	450	225	260	130
R146MY110			DN100		42	33,6								30	668	502	500	250	314	157
R146MY112			DN125		65	55,5								43	768	577	550	275	365	182
R146MY115			DN150		95	78,8								60	868	622	600	300	397	198

P146M

CÓDIGO	MEDIDA	€/ud	☐	☒
P146MY002	1/2" - largo 90mm	32,65	1	25
P146MY003	1/2" - largo 110mm	33,35	1	25
P146MY103	1/2" - largo 245mm	84,35	1	10
P146MY104	1/2" - largo 375mm	85,40	1	10
P146MY105	1/2" - largo 395mm	109,30	1	10



Kit magnético para desfangador y separador hidráulico compuesto de vaina e imán.

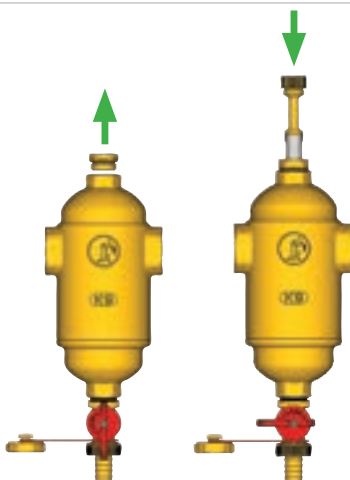
NOTAS

P146M PARA DESFANGADOR:
 P146MY003: para todos los desfangadores con conexión roscada.
 P146MY103: para desfangadores embridados DN50, DN65 y DN80.
 P146MY104: para desfangadores embridados DN100 y DN125.
 P146MY105: para desfangadores embridados DN150.

P146M PARA SEPARADORES HIDRÁULICOS:
 P146MY002: para separadores roscados de 1" y 1 1/4".
 P146MY003: para separadores roscados de 1 1/2" y 2".

INSTALACIÓN DEL KIT P146M EN EL DESFANGADOR R146D VERSIÓN ROSCADA

- 1) Quitar el tapón presente en la parte superior del desfangador, girándolo en el sentido contrario a las agujas del reloj.
- 2) Insertar el kit P146M de la parte superior del desfangador en la zona del tapón, enroscándolo en el sentido de las agujas del reloj.



P146C

CÓDIGO	MEDIDA	€/ud	☐	☒
P146CY001	3/8" - largo 51 mm	19,35	1	5
P146CY011	3/8" - largo 81 mm	32,10	1	5



Kit magnético para desfangador magnético compacto R146C.

NOTAS

P146CY001: Para R146C de 3/4".
 P146CY011: Para R146C de 1".

R146W

CÓDIGO	MEDIDA	€/ud	☐	☒
R146WY001	para desf. 3/4" y 1"	49,95	1	5
R146WY002	para desf. 1 1/4" y 1 1/2"	50,85	1	5
R146WY003	para desf. 2"	52,80	1	5



Aislamiento en polietileno expandido reticulado para desfangador serie R146M y R146 con conexión roscada hembra.

NOTAS

Aislamiento en polietileno expandido de célula cerrada de 20mm de grosor (densidad 30Kg/m³, conductividad térmica 0,038W/mK, clase B2 de reacción al fuego).

> DISTRIBUCIÓN HIDRÁULICA

R99

CÓDIGO	MEDIDA	€/ud	□	⊞
R99Y001	1/4"	8,15	1	-
R99Y002	3/8"	8,15	1	50
R99Y003	1/2"	8,15	1	50



Purgador automático para instalaciones de calefacción/refrescamiento o instalaciones de fontanería. Gran capacidad de descarga. Rango de temperatura 5÷120°C. Presión máxima de trabajo 14bar. Presión máxima de trabajo para purga 7bar.

R99I

CÓDIGO	MEDIDA	€/ud	□	⊞
R99IY002	3/8"	9,70	1	50
R99IY003	1/2"	9,75	1	50



Purgador automático con válvula de interceptación R160 para instalaciones de calefacción/refrescamiento o instalaciones de fontanería. Gran capacidad de descarga. Rango de temperatura 5÷120°C. Presión máxima de trabajo 14bar. Presión máxima de trabajo para purga 7bar.

R88

CÓDIGO	MEDIDA	€/ud	□	⊞
R88Y001	1/4"	5,95	1	100
R88Y002	3/8"	6,25	1	100



Purgador automático para instalaciones de calefacción/refrescamiento o instalaciones de fontanería. Rango de temperatura 5÷120°C. Presión máxima de trabajo 14bar. Presión máxima de trabajo para purga 7bar.

R88I

CÓDIGO	MEDIDA	€/ud	□	⊞
R88IY002	3/8"	7,45	1	100
R88IY003	1/2"	8,05	1	100



Purgador automático con válvula de interceptación R160 para instalaciones de calefacción/refrescamiento o instalaciones de fontanería. Rango de temperatura 5÷120°C. Presión máxima de trabajo 14bar. Presión máxima de trabajo para purga 7bar.

R160

CÓDIGO	MEDIDA	€/ud	□	⊞
R160Y001	1/4" x 3/8"	1,48	1	-
R160Y002	1/4" x 1/2"	1,95	1	-



Válvula de interceptación para purgador automático de aire.

Válvula de zona de seis vías para instalaciones de cuatro tubos

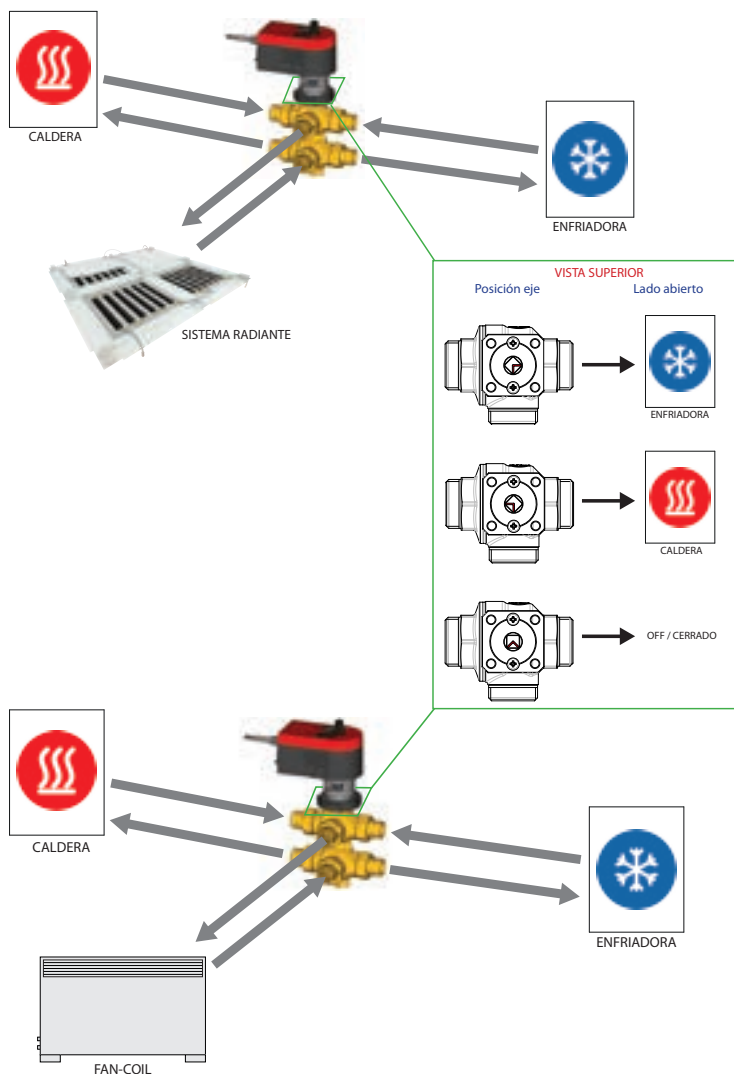
La válvula de zona de seis vías R274N permite gestionar de forma sencilla el paso de 4 tubos en instalaciones con calefacción y refrescamiento.

Una única válvula motorizada puede substituir dos válvulas motorizadas, resolviendo fácilmente la complicación de su sincronización para la apertura/cierre de las dos producciones.

La válvula R274N permite el cambio de estado (posición del eje a 0° y 90°) y también la posibilidad de cierre de la alimentación de ambas fuentes (posición del eje a 45°).

La aplicación más común para la válvula R274N son los sistemas de techo radiante, en particular para el terciario, donde es posible gestionar el cambio de calentamiento a enfriamiento, durante un mismo día, independientemente, cada zona, de forma individual.

Esquema de instalación



R274

CÓDIGO	MEDIDA	€/ud	☐	☒
R274Y023	1/2"	190,00	1	5
R274Y024	3/4"	185,90	1	5
R274Y025	1"	204,50	1	5



Válvula de zona de 6 vías con conexiones macho ISO 228 por enlace. Ideal para gestión de sistemas a 4 tubos con calefacción y refrescamiento disponibles al mismo tiempo.

Juntas en PTFE de baja fricción.

Rango de temperatura del fluido 5÷90°C.

Presión nominal 10bar.

Porcentaje máximo de glicol 50%.

Válvula cerrada con eje a 45°.

R274N

CÓDIGO	MEDIDA	€/ud	☐	☒
R274Y033	1/2"	138,30	1	25
R274Y045	1"	177,45	1	10



Válvula de zona de 6 vías con conexión macho ISO 228. Ideal para gestión de sistemas a 4 tubos con calefacción y refrescamiento disponibles al mismo tiempo.

Juntas en PTFE de baja fricción.

Rango de temperatura del fluido 5÷90°C.

Presión nominal 10bar.

Porcentaje máximo de glicol 50%.

Válvula cerrada con eje a 45°.

P21S

CÓDIGO	MEDIDA	€/ud	□	⊞
P21SY001	Ø 2,7mm - Kv 0,25	4,30	1	5
P21SY002	Ø 3,5mm - Kv 0,40	4,30	1	5
P21SY003	Ø 4,5mm - Kv 0,65	4,30	1	5
P21SY004	Ø 6,0mm - Kv 1,00	4,30	1	5
P21SY005	Ø 7,0mm - Kv 1,60	4,30	1	5
P21SY006	Ø 8,0mm - Kv 1,60	4,30	1	5
P21SY011	Ø 3,0mm - Kv 0,25	4,30	1	5
P21SY012	Ø 4,0mm - Kv 0,40	4,30	1	5
P21SY013	Ø 4,5mm - Kv 0,65	4,30	1	5
P21SY014	Ø 5,8mm - Kv 1,00	4,30	1	5
P21SY015	Ø 6,7mm - Kv 1,30	4,30	1	5
P21SY016	Ø 7,5mm - Kv 1,60	4,30	1	5
P21SY017	Ø 9,0mm - Kv 2,50	4,30	1	5
P21SY018	Ø 12,7mm - Kv 3,45	4,30	1	5



Disco calibrado en acero Inox para control de la pérdida de carga en válvulas de zona a 6 vías R274N.

R274Y023: Discos P21SY011 ÷ P21SY016.
R274Y024: Discos P21SY011 ÷ P21SY018.
R274Y025: Discos P21SY011 ÷ P21SY018.
R274Y033: Discos P21SY001 ÷ P21SY006.
R274Y045: Discos P21SY011 ÷ P21SY018.

K274-2

CÓDIGO	MEDIDA	€/ud	□	⊞
K274Y052	24V	294,35	1	-



Actuador para control de válvula de zona de seis vías, modelo R274N.

Disponibles función manual con palanca.
Alimentación a 24V.

Manguera de control de 5 hilos: Control de posición 0÷10V con feedback 0÷10V.

NOTAS

Certificado CE.

R274W

CÓDIGO	MEDIDA	€/ud	□	⊞
R274WY001	1"	30,70	1	30
R274WY002	1/2"	20,05	1	25

Aislamiento en polietileno reticulado para válvula de seis vías R274N.



P15M

CÓDIGO	MEDIDA	€/ud	□	⊞
P15Y015	1"H x 1/2"M	11,40	1	50
P15Y016	1"H x 3/4"M	8,85	1	50
P15Y017	1"H x 1"M	16,15	1	50
P15Y018	1/2"H x 1/2"M	9,50	1	50

Kit de dos enlaces rosca macho con tuerca y junta de estanqueidad para conexión de válvula R274N.



P15F

CÓDIGO	MEDIDA	€/ud	□	⊞
P15FY013	1/2"H x 1/2"H	9,25	1	50

Kit de dos enlaces rosca hembra con tuerca y junta de estanqueidad para conexión de válvula R274N.



R276

CÓDIGO	MEDIDA	€/ud	□	⊞
R276Y004	3/4"	25,25	1	25
R276Y005	1"	35,10	1	25



Válvula de zona a esfera, de dos vías, motorizable. Conexiones hembra.

Temperatura máxima de trabajo 110°C.
Presión máxima de trabajo 10bar.

NOTAS

Combinar con el motor K270 o K272 (no incluido).

R277

CÓDIGO	MEDIDA	€/ud	□	⊞
R277Y004	3/4"	32,30	1	25
R277Y025	1"	35,65	1	10



Válvula de zona a esfera, de dos vías, motorizable.
Conexiones macho con enlace.
Temperatura máxima de trabajo 110°C.
Presión máxima de trabajo 10bar.

NOTAS

Combinar con el motor K270 o K272 (no incluido).

R278

CÓDIGO	MEDIDA	€/ud	□	⊞
R278Y004	3/4"	72,15	1	10
R278Y005	1"	100,05	1	10



Válvula de zona a esfera, de tres vías, motorizable.
Conexiones macho con enlace.
Temperatura máxima de trabajo 110°C.
Presión máxima de trabajo 10bar.

NOTAS

Combinar con el motor K270 o K272 (no incluido).

R279

CÓDIGO	MEDIDA	€/ud	□	⊞
R279Y004	3/4"	63,60	1	-
R279Y005	1"	77,10	1	-



Válvula de zona a esfera, de tres vías, motorizable.
Conexiones hembra.
Temperatura máxima de trabajo 110°C.
Presión máxima de trabajo 10bar.

NOTAS

Combinar con el motor K270 o K272 (no incluido).

R279D

CÓDIGO	MEDIDA	€/ud	□	⊞
R279DY024	3/4"	30,15	1	-
R279DY025	1"	37,05	1	-



Válvula de zona a esfera de tres vías, motorizable,
conexión hembra.

NOTAS

Actuador compatible: K270 o K272 (no incluido)

K270

CÓDIGO	MEDIDA	€/ud	□	⊞
K270Y101	230Vac	110,30	1	-
K270Y102	24Vac	115,00	1	-

Actuador para control de válvula de zona R276, R277, R278, R279 y desviadora R279D. Incluye microinterruptor final de carrera.
Alimentación a 230Vac o 24Vac (según versión).
Tiempo de maniobra: rotación de 90° en aproximadamente 40 segundos.
Grado de protección IP54.
Condiciones ambiente de funcionamiento -5÷55°C.
Dispone de indicador de la posición apertura/cierre.



K272

CÓDIGO	MEDIDA	€/ud	□	⊞
K272Y101	230Vac	168,00	1	-
K272Y102	24Vac	175,05	1	-

Actuador para control de válvula de zona R276, R277, R278, R279 y desviadora R279D. Incluye accionamiento manual y microinterruptor final de carrera.
Alimentación a 230Vac o 24Vac (según versión).
Tiempo de maniobra: rotación de 90° en aproximadamente 60 segundos.
Grado de protección IP65.
Condiciones ambiente de funcionamiento -5÷55°C.
Par máximo 18Nm.



NOTAS

Actuador utilizado en válvula de zona R276B.

R276B

CÓDIGO	MEDIDA	€/ud	□	⊞
R276BX006	1 1/4"-230V	343,90	1	-
R276BX007	1 1/2"-230V	389,45	1	-
R276BX008	2"-230V	465,70	1	-
R276BX026	1 1/4"-24V	353,05	1	-
R276BX027	1 1/2"-24V	398,60	1	-
R276BX028	2"-24V	474,85	1	-



Válvula de zona motorizada, a dos vías, de paso integral. Incluye aislamiento.
Conexión roscada hembra.
Presión máxima de trabajo 40bar.
Temperatura máxima de trabajo 170°C (válvula).
Actuador K272 incluido, con accionamiento manual, microinterruptor final de carrera y resistencia anticondensación.
Alimentación 230Vac o 24V según versión.
Tiempo de maniobra: rotación de 90° en 60 segundos.
Aislamiento en polietileno expandido.

R291

CÓDIGO	MEDIDA	€/ud	□	⊞
R291Y004	3/4"	29,90	1	10
R291Y005	1"	30,75	1	10



Válvula de zona a pistón, de dos vías, para control con cabezal electrotérmico. Conexiones macho con enlace.
Temperatura máxima de trabajo 110°C.
Presión máxima de trabajo 10bar.

NOTAS

Actuador compatible: R473 o R478 (no incluido)

R292E

CÓDIGO	MEDIDA	€/ud	□	⊞
R292Y004	3/4"	53,45	1	-
R292Y005	1"	60,45	1	-
R292EY004	3/4"	58,05	1	10
R292EY005	1"	69,15	1	10

ENLACE EXCÉNTRICO

CÓDIGO	MEDIDA	€/ud	□	⊞
P15EY004	1" x 3/4"	6,00	1	15
P15EY005	1" x 1"	6,45	1	15



ENLACE EXCÉNTRICO



Válvula de zona a pistón, de tres vías, para control con cabezal electrotérmico. Conexiones macho con enlace.
Incluye detentor de equilibrado y enlace excéntrico P15E para adaptar separación de salidas (según versión).
Temperatura máxima de trabajo 110°C.
Presión máxima de trabajo 10bar.

NOTAS

R292Y004-5: sin enlace excéntrico para montaje directo con R587B de 1".
Actuador compatible: R473 o R478 (no incluido)

R193K

CÓDIGO	MEDIDA	€/ud	□	⊞
R193Y011	Ø18 - caja R500	12,45	1	50
R193Y021	Ø18 - caja R500-2	20,45	1	50

Kit tubo excéntrico para instalación de válvula de tres vías R278 y R292E.



R473

CÓDIGO	MEDIDA	€/ud	□	⊞
R473X221	230Vac	41,00	1	25
R473X222	24Vac	41,00	1	25

Cabezal electrotérmico normalmente cerrado para válvula termostaticable, colector y válvula de zona serie R291, R292, R292E.

Conexión con unión rápida mediante anillo de fijación (incluido).

Visualizador mecánico de posición.

Manguera de dos hilos.

Grado de protección IP40.

Rango de temperatura ambiente -5÷50°C.

NOTAS

Longitud de manguera: 1m.



INFORMACION

Cabezal con nuevo sensor electrotérmico de bajo consumo energético.

R453

CÓDIGO	MEDIDA	€/ud	□	⊞
R453Y002	-	0,78	1	-

Anillo para fijación de cabezal electrotérmico R473/M o R478/M en válvula termostaticable, colector o válvula de zona. Incluido en cabezal.



R473M

CÓDIGO	MEDIDA	€/ud	□	⊞
R473MX221	230Vac	50,00	1	25
R473MX222	24Vac	50,00	1	25

Cabezal electrotérmico normalmente cerrado con final de carrera para válvula termostaticable, colector y válvula de zona serie R291, R292, R292E.

Conexión con unión rápida mediante anillo de fijación (incluido).

Visualizador mecánico de posición.

Manguera de cuatro hilos.

Grado de protección IP40.

Rango de temperatura ambiente -5÷50°C.

NOTAS

Longitud de manguera: 1m.



INFORMACION

Cabezal con nuevo sensor electrotérmico de bajo consumo energético.

R206A

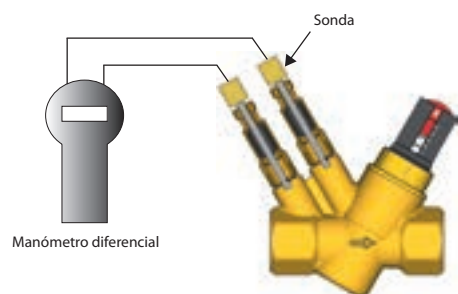
CÓDIGO	MEDIDA	€/ud	☐	☒
R206AY013	1/2"	115,70	1	-
R206AY014	3/4"	118,75	1	-
R206AY015	1"	213,05	1	-
R206AY016	1 1/4"	235,70	1	-
R206AY017	1 1/2"	443,40	1	-
R206AY018	2"	475,15	1	-

CAUDAL REDUCIDO

CÓDIGO	MEDIDA	€/ud	☐	☒
R206AY033	1/2"	128,55	1	-
R206AY034	3/4"	121,45	1	-

AJUSTE DE CAUDAL

Para determinar el caudal de la válvula de equilibrado dinámico R206A, es suficiente con medir la presión diferencial, montando en las tomas de la válvula los portasonda P206Y001 y utilizar un manómetro diferencial. Si la presión diferencial es superior al mínimo requerido por el caudal definido y comprendido en el rango Δp del cartucho, el caudal se corresponde con el valor nominal indicado en la tabla respectiva de la documentación técnica.



Válvula de equilibrado dinámico, con cartucho integrado para estabilización de caudal. Cuerpo en latón con conexión roscada hembra-hembra y tomas para portasonda. Cartucho en polímero, sustituable, dotado de doble indicador (escala de 1 a 5 y división decimal de 1 a 9) para regulación precisa del caudal. Precisión de regulación (en el interior del rango de presión diferencial declarado): $\pm 5\%$ sobre valor de caudal declarado o $\pm 2\%$ sobre valor de caudal máximo. Temperatura máxima de trabajo 120°C. Presión máxima de trabajo 25bar.

NOTAS

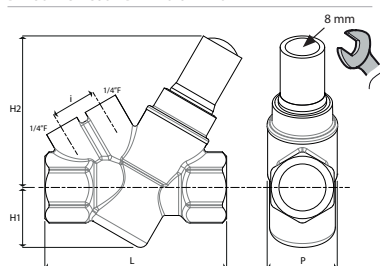
Accesorios: porta sonda P206Y001.



Atención.

Pueden producirse fugas de agua a mucha temperatura por las tomas de presión durante la inserción de las sondas. Utilizar ropa adecuada y gafas de protección para prevenir quemaduras durante la medida de presión. No utilizar lubricante para facilitar la inserción de las sondas en las tomas de presión. Si es necesario, bañar las sondas con agua limpia. No dejar la aguja de medición en las tomas de presión durante un tiempo excesivo, puede producir pérdidas de agua.

DATOS TÉCNICOS Y DIMENSIONALES

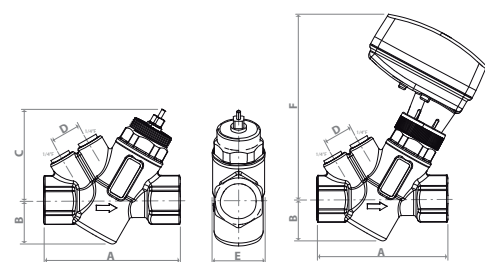


CÓDIGO	CONEXIÓN	L [mm]	H1 [mm]	H2 [mm]	i [mm]	P [mm]	Caudal operativo [m³/h]	Presión operativa Δp [kPa]
R206AY013	1/2"	82	31	78	22	36	0,276 - 0,825	17 - 200
R206AY014	3/4"	94	31	78	22	36	0,406 - 1,270	30 - 400
R206AY015	1"	128	47	99	22	65	0,535 - 5,830	17 - 400
R206AY016	1 1/4"	128	47	99	22	65	0,535 - 5,830	17 - 400
R206AY017	1 1/2"	169	54,5	117	22	100	3,180 - 16,100	20 - 400
R206AY018	2"	169	54,5	117	22	100	3,180 - 16,100	20 - 400
R206AY033	1/2"	82	31	78	22	36	0,100 - 0,412	17 - 210
R206AY034	3/4"	94	31	78	22	36	0,100 - 0,412	17 - 210

R206AM

CÓDIGO	MEDIDA	€/ud	☐	☒
R206AY053	1/2"	152,75	1	-
R206AY054	3/4"	152,75	1	-
R206AY055	1" caudal reducido	137,25	1	-
R206AY065	1"	258,05	1	-
R206AY056	1 1/4"	260,85	1	-
R206AY057	1 1/2"	634,20	1	-
R206AY058	2"	656,80	1	-

DIMENSIONES



CÓDIGO	Conexión	A [mm]	B [mm]	C [mm]	D [mm]	E [mm]	F [mm]
R206AY053	1/2"F	82	31	64	22	36	135
R206AY054	3/4"F	94	31	64	22	36	135
R206AY055	1"F	102	31	64	22	36	135
R206AY065	1"F	128	47	85	22	65	178
R206AY056	1 1/4"F	128	47	85	22	65	178
R206AY057	1 1/2"F	191	105	115	22	100	192
R206AY058	2"F	191	105	115	22	100	192



Válvula de regulación independiente de la presión (PICV). Combina una regulación del caudal con el control de la válvula por actuador.

Conexión roscada hembra-hembra y tomas para portasonda.

Cartucho en polímero, sustituable, dotado de doble indicador (escala de 1 a 5 y divisiones decimales de 1 a 9) para regulación precisa del caudal.

Precisión de regulación (en el interior del rango de presión diferencial declarado): $\pm 10\%$ sobre valor del caudal impuesto o $\pm 5\%$ sobre el valor del caudal máximo.

El caudal puede ser regulado de dos modos distintos:

- Manualmente sobre el regulador automático de caudal, para limitar el valor máximo.
- Automáticamente combinando la válvula con un actuador proporcional (0÷10V) o un actuador on/off.

Temperatura máxima de trabajo 120°C.

Presión máxima de trabajo 25bar.

NOTAS

Accesorios:

- K281X012, K281X032, K281X042: actuador para válvula R206AM. Alimentación 24Vac - versión 0÷10V. Conexión a válvula M30x1,5mm.
- K281X022: actuador para válvula R206AM. Alimentación 24Vac - versión On/Off. Conexión a válvula M30x1,5mm.
- P206A: Cartuchos de recambio.
- P206Y001: portasonda.
- R225EY001: manómetro diferencial.

K281

CÓDIGO	MEDIDA	€/ud	□	⊞
K281X012	24V - 0÷10V	163,65	1	-
K281X032	24V - 0÷10V	178,45	1	-
K281X042	24V - 0÷10V	296,75	1	-
K281X022	24V - 3 puntos flotantes	155,35	1	-



Actuador para control de válvula mezcladora R298, R298N. Alimentación a 24V.

Funcionamiento en combinación con la regulación Giacomini.

Temperatura ambiente 0÷55°C.

NOTAS

K281X012 y K281X022: Para R206AY053, 054, 055.

K281X032: Para R206AY065, 056.

K281X042: Para R206AY057, 058.

R206B

CON PORTASONDA

CÓDIGO	MEDIDA	€/ud	□	⊞
R206BY003	1/2"	65,90	1	-
R206BY004	3/4"	67,35	1	-
R206BY005	1"	72,55	1	-
R206BY006	1 1/4"	88,20	1	-
R206BY007	1 1/2"	134,95	1	-
R206BY008	2"	163,25	1	-



Válvula de equilibrado estático a orificio fijo (venturi). Conexión roscada hembra-hembra y descarga de 1/4"H con tapón.

Volante en ABS con impresión del valor Kv del venturi. Posibilidad de regulación de la apertura por el mecanismo de memoria mecánica (preregulación).

Disponible en versión con o sin portasonda para medición de la presión diferencial.

Temperatura máxima de trabajo 110°C.

Presión máxima de trabajo 25bar.

NOTAS

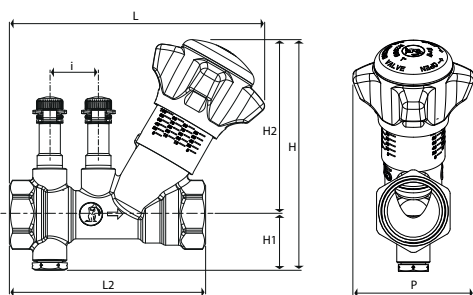
Accesorios para R206BY013÷018: portasonda P206Y001.

Para la operación de preregulación, en base a los valores deseados de caudal y presión diferencial, consultar el procedimiento sobre la documentación técnica correspondiente.

SIN PORTASONDA

CÓDIGO	MEDIDA	€/ud	□	⊞
R206BY013	1/2"	45,00	1	-
R206BY014	3/4"	46,35	1	-
R206BY015	1"	50,80	1	-
R206BY016	1 1/4"	64,35	1	-
R206BY017	1 1/2"	104,85	1	-
R206BY018	2"	129,40	1	-

DATOS TÉCNICOS Y DIMENSIONES

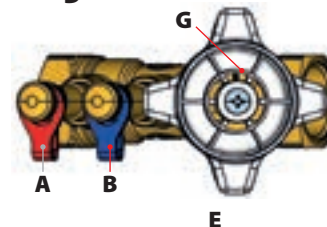
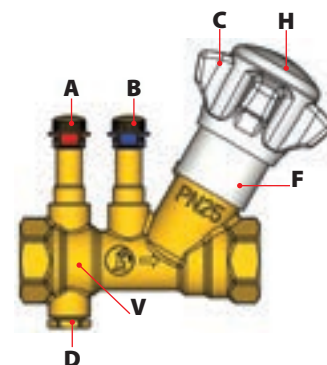
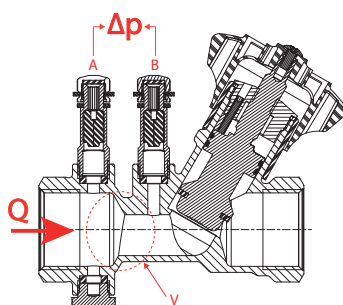
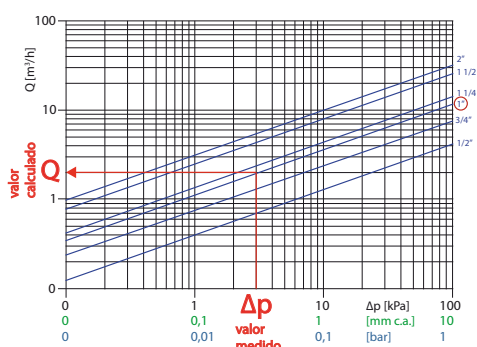


CONEXIÓN	L [mm]	L2 [mm]	H1 [mm]	H2 [mm]	H [mm]	i [mm]	P [mm]
1/2"	131	95	25	94	119	25	64
3/4"	131	101	28	90	118	25	64
1"	131	110	32	90	122	25	64
1 1/4"	137	120	35	94	129	25	64
1 1/2"	163	140	39	127	166	25	64
2"	169	154	45	127	172	25	70

CONEXIÓN	Kv		CAUDAL (l/h)		
	Kv (Venturi)	Kv (válvula completa)	0,5 kPa (*)	3 kPa (*)	10 kPa (**)
1/2"	4,0	2,7	280	690	860
3/4"	7,5	5,5	530	1300	1740
1"	11,0	7,0	780	1900	2220
1 1/4"	13,5	9,5	950	2340	3000
1 1/2"	24	18,5	1700	4160	5850
2"	31	25,5	2190	5370	8065

Valores de ida relativos a la presión diferencial para flujómetro Venturi (*) o para válvula completa (**)

DETERMINACIÓN DE CAUDAL



A = Sonda alta presión
B = Sonda baja presión
C = Volante ABS
D = Descarga (1/4" F)
F = Escala para regulación 0% - 100% (20 posiciones)

G = Eje de preregulación (límite de recorrido)
H = Cabezal extraíble (para hacer la regulación) con Kv venturi estampado E
V = Flujómetro Venturi

R206B-1

CÓDIGO	MEDIDA	€/ud	□	▣
R206BY113	1/2"	33,10	1	25
R206BY114	3/4"	36,25	1	25
R206BY115	1"	37,20	1	25



Válvula de equilibrado estático compacta. Conexión roscada hembra-hembra y conexión de 1/4" para capilar de válvula de control de la presión diferencial.

Temperatura máxima de trabajo 110°C.
Presión máxima de trabajo 25bar.

R206C

CÓDIGO	MEDIDA	€/ud	□	▣
R206CY103	DN15 - Kv 2,24	214,55	1	8
R206CY104	DN20 - Kv 3,49	217,50	1	8
R206CY105	DN25 - Kv 5,92	259,80	1	8
R206CY106	DN32 - Kv 6,95	271,85	1	6
R206CY107	DN40 - Kv 11,72	321,85	1	6
R206CY108	DN50 - Kv 12,97	352,50	1	6



Válvula de control de presión diferencial para mantener la presión constante independientemente del caudal. Conexión principal hembra-hembra, conexión manómetro diferencial de 1/4" con tapón. La presión diferencial nominal puede ser regulada dentro de dos campos de regulación distintos (pendiente de patente): "L" 5÷30 kPa; "H" 25÷60kPa.

El valor específico de regulación sobre la escala graduada puede ser determinado con el diagrama de dimensionamiento/tarado.

Capilar en cobre de longitud 1000mm incluido, para conexión a la válvula reguladora de caudal del circuito.

Cuerpo en latón resistente a la descincificación (EN12165-CW602N).

Membrana y juntas tóricas en EPDM.

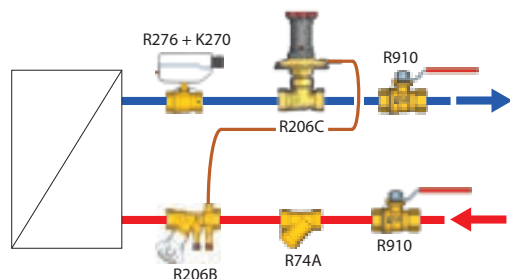
Fluidos compatibles: agua o solución glicolada (máx. 50% glicol).

Rango de temperatura de trabajo: 2÷110C (-20÷110°C con glicol).

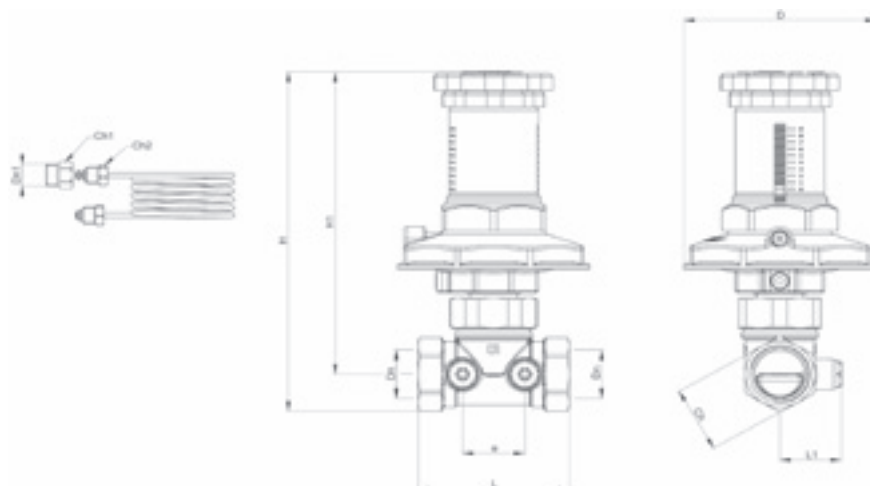
Presión máxima de trabajo 16bar.

Presión diferencial máxima 2bar.

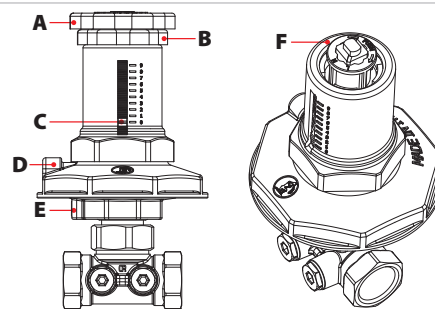
INSTALACIÓN



DIMENSIONES



DETALLE CONSTRUCTIVO



A = Volante de regulación
B = Anillo para extracción del volante
C = Anillo indicador con escala graduada

D = Conexión a tubo capilar
E = Tornillo para purga de aire
F = Anillo para cambio de campo de regulación "L" o "H"

CÓDIGO	Dn	Dn1	D [mm]	H [mm]	H1 [mm]	L [mm]	L1 [mm]	e [mm]	Ch [mm]	Ch1 [mm]	Ch2 [mm]
R206CY103	G 1/2"	G 1/4"	108	184,5	170	65	30	26	es.26	es.14	es.11
R206CY104	G 3/4"	G 1/4"	108	188	170	75	30	26	es.32	es.14	es.11
R206CY105	G 1"	G 1/4"	108	202	180,5	85	34,5	35	es.39	es.14	es.11
R206CY106	G 1 1/4"	G 1/4"	108	207,5	180,5	95	37,5	35	es.48	es.14	es.11
R206CY107	G 1 1/2"	G 1/4"	108	220	191,5	100	41,5	42	ott.54	es.14	es.11
R206CY108	G 2"	G 1/4"	108	227	191,5	130	47,5	46	ott.67	es.14	es.11

P206

CÓDIGO	MEDIDA	€/ud	☐	☒
P206Y001	1/4"	9,10	1	-



Portasonda para toma de presión y determinación del caudal en la válvula de equilibrado. Idónea para toma de presión con aguja Ø3mm y largo de 30÷40mm.

P206A

CÓDIGO	MEDIDA	€/ud	☐	☒
P206AY001	para R206AY013	76,95	1	-
P206AY002	para R206AY014	78,40	1	-
P206AY003	para R206AY015 y R206AY016	130,20	1	-
P206AY004	para R206AY017 y R206AY018	270,45	1	-
P206AY005	para R206AY033 y R206AY034	76,95	1	-



Cartucho de recambio para válvula de equilibrado dinámico R206A.

P206AM

CÓDIGO	MEDIDA	€/ud	☐	☒
P206AMY001	para R206AY053	97,80	1	-
P206AMY002	para R206AY054 y R206AY055	97,80	1	-
P206AMY003	para R206AY065 y R206AY056	213,20	1	-



Cartucho de recambio para válvula de regulación independiente de la presión R206AM.

R225E

Documentación técnica n. 0547ML

CÓDIGO	MEDIDA	€/ud	☐	☒
R225EY001	-10 a 20 bar	2.261,30	1	-



Instrumento para detección de la presión diferencial y cálculo del caudal para equilibrado de circuitos hidráulicos. Alimentación a batería (2 x AA NiMH). Disponible en maleta porta instrumentos con los siguientes accesorios: dos sondas de aguja M10 x 1mm con los correspondientes tubos de conexión. Rango de medición presión diferencial: -10÷20bar. Temperatura del fluido -5÷90°C. Error de medida 0,15%.

P225E

CÓDIGO	MEDIDA	€/ud	☐	☒
P225EY001	aguja Ø3 mm	82,30	1	-



Juego de dos válvulas de recambio para R225E. Incluye agujas para lectura de presión/caudal a través del portasondas de la válvula de equilibrado.

> SUMINISTRO AGUA SANITARIA

REDUCTOR DE PRESIÓN – PRINCIPIO DE FUNCIONAMIENTO

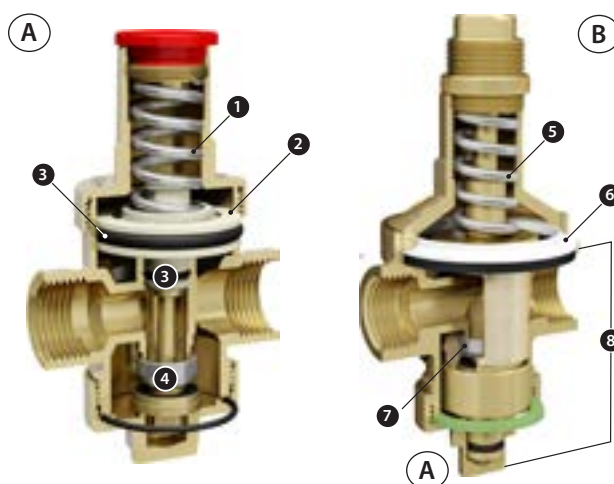
Un muelle, oportunamente calibrado en base a la presión ejercitada que se quiera obtener, presiona un pistón (A) o una membrana (B), empujando hacia abajo el obturador inferior en el sentido de apertura de la válvula.

La presión del agua de salida del reductor ejercita una presión opuesta, cerrando el obturador.

Cuando la instalación esta cerrada, las dos fuerzas quedan equilibradas, pero tan pronto como hay una demanda de flujo, la presión de salida disminuye y el empuje del muelle provoca la apertura del obturador y el paso del agua.

LEGENDA

- 1 = Muelle en acero inoxidable
- 2 = Pistón en tecnopolímero reforzado
- 3 = Junta en EPDM con bajo coeficiente de fricción
- 4 = Asiento obturador en acero inoxidable
- 5 = Muelle en acero inoxidable
- 6 = Membrana de goma EPDM reforzada con fibra de nylon
- 7 = Asiento obturador en acero inoxidable
- 8 = Parte realizada en latón CR



R153C

CÓDIGO	MEDIDA	€/ud	□	⊞
R153CX003	1/2"	22,50	1	50
R153CX004	3/4"	25,70	1	50

MANÓMETRO

CÓDIGO	MEDIDA	€/ud	□	⊞
R225Y012	1/4-0-10 BAR	9,25	1	100



Válvula reductora de presión a pistón con asiento compensado conforme a la norma EN 1567. Conexión roscada hembra-hembra 1/2" y 3/4" (ISO 228/1).

Conexión para manómetro Rp 1/4" (ISO 7/1).

Cuerpo en latón niquelado y pistón en tecnopolímero. Juntas en EPDM.

Fluidos compatibles agua, solución glicolada (máximo 50% de glicol) y aire comprimido.

Temperatura máxima de trabajo 130°C.

Presión máxima de trabajo 16bar.

Campo de regulación de presión a valle: 1 a 5,5bar.

NOTAS

Combinable con manómetro de conexión lateral, código R225Y012.

Ø52mm, conexión de 1/4". Escala 0÷10bar.

Clase de precisión según EN837-1: Clase 1,6.

R153P

CÓDIGO	MEDIDA	€/ud	□	⊞
R153PX003	1/2"	37,30	1	20
R153PX004	3/4"	39,30	1	25
R153PX005	1"	58,10	1	10
R153PX006	1 1/4"	82,60	1	10
R153PX007	1 1/2"	118,15	1	10
R153PX008	2"	124,85	1	10

MANÓMETRO

CÓDIGO	MEDIDA	€/ud	□	⊞
R225Y002	1/4-0-10 BAR	9,25	1	100



Válvula reductora de presión a pistón con asiento compensado en acero Inox, conforme a la norma EN 1567.

Conexión roscada hembra-hembra 1/2" y 2" (ISO 228/1).

Conexión para manómetro Rp 1/4" (ISO 7/1).

Cuerpo en latón niquelado y pistón en tecnopolímero. Juntas en EPDM.

Fluidos compatibles agua, solución glicolada (máximo 50% de glicol) y aire comprimido (excepto 2").

Temperatura máxima de trabajo 130°C.

Presión máxima de trabajo 25bar.

Campo de regulación de presión a valle: 1 a 5,5bar.

NOTAS

Combinable con manómetro de conexión posterior, código R225Y002.

Ø52mm, conexión de 1/4". Escala 0÷10bar.

Clase de precisión según EN837-1: Clase 1,6.

R153M

CÓDIGO	MEDIDA	€/ud	□	⊞
R153MY003	1/2"	64,70	1	25
R153MY004	3/4"	82,40	1	10
R153MY005	1"	136,00	1	10
R153MY006	1 1/4"	237,00	1	2
R153MY007	1 1/2"	360,90	1	2
R153MY008	2"	548,20	1	-

MANÓMETRO

CÓDIGO	MEDIDA	€/ud	□	⊞
R225Y002	1/4-0-10 BAR	9,25	1	100



Válvula reductora de presión a membrana con asiento compensado en acero Inox, conforme a la norma EN 1567.

Conexión roscada hembra-hembra 1/2" y 2" (ISO 228/1).

Conexión para manómetro Rp 1/4" (ISO 7/1).

Cuerpo en latón "CR" y membrana en EPDM reforzado con poliamida. Juntas en EPDM y NBR.

Fluidos compatibles agua, solución glicolada (máximo 50% de glicol) y aire comprimido (excepto 2").

Temperatura máxima de trabajo 80°C.

Presión máxima de trabajo 25bar.

Campo de regulación de presión a valle: 1,5 a 7bar.

NOTAS

Combinable con manómetro de conexión posterior, código R225Y002.

Ø52mm, conexión de 1/4". Escala 0÷10bar.

Clase de precisión según EN837-1: Clase 1,6.

R153MK

CÓDIGO	MEDIDA	€/ud	□	⊞
R153MY103	1/2"	107,20	1	10
R153MY104	3/4"	128,05	1	10
R153MY105	1"	200,25	1	6



Válvula reductora de presión a membrana con asiento compensado en acero Inox, conforme a la norma EN 1567.

Conexión roscada macho con enlace.

Incluye manómetro con escala 0-10bar.

Cuerpo en latón "CR" y membrana en EPDM reforzado con poliamida. Juntas en EPDM y NBR.

Fluidos compatibles agua, solución glicolada (máximo 50% de glicol) y aire comprimido.

Temperatura máxima de trabajo 80°C.

Presión máxima de trabajo 25bar.

Campo de regulación de presión a valle: 1,5 a 7bar.

R156

CÓDIGO	MEDIDA	€/ud	□	⊞
R156X004	3/4" - Kv 1,8	65,90	1	25
R156X005	1" - Kv 2,2	74,35	1	25



Mezclador termostático regulable para instalaciones sanitarias. Acabado cromado.

Conexiones hembra.

Bulbo termostático a cera.

Regulación de temperatura 38÷60°C.

Temperatura máxima de trabajo 100°C.

Presión máxima de trabajo 16bar.

Conforme a Normativa A.S.S.E 101 7.

R156-1

CÓDIGO	MEDIDA	€/ud	□	⊞
R156X024	3/4" - Kv 1,8	100,35	1	10
R156X025	1" - Kv 2,0	118,50	1	10

Mezclador termostático regulable para instalaciones de fontanería o de solar térmica (aguas abajo del acumulador). Fabricado en latón cromado.

Conexiones macho con enlace.

Bulbo termostático a cera.

Campo de regulación de temperatura 38÷60°C.

Temperatura máxima de trabajo 100°C.

Presión máxima de trabajo 16bar.

Conforme a normativa A.S.S.E. 1017.



R156-2

CÓDIGO	MEDIDA	€/ud	□	⊞
R156Y223	1/2" - Kv 1,3	95,30	1	10
R156Y224	3/4" - Kv 1,4	106,80	1	10
R156Y225	1" - Kv 5,0	355,20	1	10
R156Y226	1 1/4" - Kv 5,8	402,55	1	8
R156Y227	1 1/2" - Kv 11,0	1.160,30	1	5
R156Y228	2" - Kv 12,0	1.255,00	1	5

Mezclador termostático regulable para instalaciones de fontanería. Fabricado en latón. Función de cierre térmico (salida de agua mezclada interrumpida en el caso de falta de entrada de agua fría).

Conexiones macho con enlace.

Campo de regulación de temperatura 30÷65°C.

Temperatura máxima de entrada (agua caliente) 85°C.

Presión máxima de trabajo (estática) 10bar.

Presión máxima de trabajo (dinámica) 5bar.



> DISPOSITIVOS DE SEGURIDAD

R140

CÓDIGO	MEDIDA	€/ud	□	⊞
R140Y002	1/2"x2,5 bar	14,55	1	50
R140Y003	1/2"x3 bar	14,50	1	50
R140Y005	1/2"x3,5 bar	14,55	1	50
R140Y006	1/2"x4 bar	14,50	1	50
R140Y009	1/2"x6 bar	13,40	1	50
R140Y020	3/4"x2 bar	18,80	1	25
R140Y022	3/4"x2,5 bar	18,80	1	25
R140Y023	3/4"x3 bar	17,65	1	25
R140Y025	3/4"x3,5 bar	18,80	1	25
R140Y026	3/4"x4 bar	18,80	1	25
R140Y029	3/4"x6 bar	18,80	1	25
R140Y040	1"x2 bar	30,85	1	20
R140Y042	1"x2,5 bar	30,85	1	20
R140Y043	1"x3 bar	30,85	1	20
R140Y045	1"x3,5 bar	30,85	1	20
R140Y046	1"x4 bar	30,85	1	20
R140Y049	1"x6 bar	31,95	1	20
R140Y062	1 1/4"x2,5 bar	36,75	1	10
R140Y063	1 1/4"x3 bar	36,75	1	10
R140Y065	1 1/4"x3,5 bar	36,75	1	10
R140Y066	1 1/4"x4 bar	36,70	1	10
R140Y069	1 1/4"x6 bar	36,75	1	10



Válvula de seguridad a membrana para control de presión. Cuerpo de latón y capuchón en ABS. Conexión hembra-hembra. Fluidos compatibles: agua caliente, agua fría y aire. Rango de temperatura 5÷110°C. Presión nominal 10bar. Sobrepresión apertura 20%. Presión de cierre 20%. Conforme a la directiva "PED" 97/23/CE. Tarado de fábrica 2,5 - 3 - 3,5 - 4 - 6bar.

R140M

CÓDIGO	MEDIDA	€/ud	□	⊞
R140MY003	1/2" 3 bar	14,65	1	25



Válvula de seguridad a membrana para control de presión. Conexión macho-hembra. Fluidos compatibles: agua caliente, agua fría y aire. Rango de temperatura 5÷110°C. Presión nominal 10bar. Sobrepresión apertura 20%. Presión de cierre 20%. Conforme a la directiva "PED" 97/23/CE. Tarado de fábrica 3 bar.

R140R

CÓDIGO	MEDIDA	€/ud	□	⊞
R140RY101	1/2"x1,5 bar	7,40	1	50
R140RY102	1/2"x2,5 bar	7,30	1	50
R140RY103	1/2"x3 bar	7,30	1	50



Válvula de seguridad compacta a membrana para control de presión. Conexión hembra-hembra. Fluidos compatibles: agua caliente, agua fría y aire. Rango de temperatura 5÷110°C. Presión nominal 10bar. Sobrepresión apertura 20%. Presión de cierre 20%. Conforme a la directiva "PED" 97/23/CE. Tarado de fábrica 1,5 - 2,5 - 3bar.

R140R1

CÓDIGO	MEDIDA	€/ud	□	⊞
R140TY102	1/2"x2,5 bar	8,05	1	50
R140TY103	1/2"x3 bar	8,05	1	50



Válvula de seguridad compacta a membrana para control de presión. Toma de 1/4" para manómetro. Conexión hembra-hembra. Fluidos compatibles: agua caliente, agua fría y aire. Rango de temperatura 5÷110°C. Presión nominal 10bar. Sobrepresión apertura 20%. Presión de cierre 20%. Conforme a la directiva "PED" 97/23/CE. Tarado de fábrica 2,5 - 3bar.

R140RM

CÓDIGO	MEDIDA	€/ud	□	⊞
R140SY102	1/2"x2,5 bar	7,55	1	50
R140SY103	1/2"x3 bar	7,60	1	50



Válvula de seguridad compacta a membrana para control de presión.
 Conexión macho-hembra.
 Fluidos compatibles: agua caliente, agua fría y aire.
 Rango de temperatura 5÷110°C.
 Presión nominal 10bar.
 Sobrepresión apertura 20%.
 Presión de cierre 20%.
 Conforme a la directiva "PED" 97/23/CE.
 Tarado de fábrica 2,5 - 3bar.

R140C

CÓDIGO	MEDIDA	€/ud	□	⊞
R140CY006	1/2"x3/4" - 4bar	18,15	1	30
R140CY009	1/2"x3/4" - 6bar	14,80	1	30



Válvula de seguridad compacta a membrana para control de presión en instalación solar térmica.
 Conexión hembra-hembra.
 Fluidos compatibles: agua caliente, agua+glicol (máx.50%).
 Rango de temperatura 5÷160°C (-20÷160°C solo con solución glicolada al 50%).
 Presión nominal 10bar.
 Sobrepresión apertura 20%.
 Presión de cierre 20%.
 Conforme a la directiva "PED" 97/23/CE (cat. IV).
 Tarado de fábrica:
 4bar (capuchón verde)
 6bar (capuchón amarillo)

R140C-1

CÓDIGO	MEDIDA	€/ud	□	⊞
R140CY010	1/2"x3/4"-7 bar	21,85	1	-
R140CY011	1/2"x3/4"-8 bar	21,85	1	-



Válvula de seguridad compacta a membrana para control de presión en instalaciones de agua sanitaria.
 Conexión hembra-hembra.
 Fluidos compatibles: agua caliente, agua fría y aire.
 Rango de temperatura 5÷110°C.
 Presión nominal 10bar.
 Sobrepresión apertura 20%.
 Presión de cierre 20%.
 Conforme a la directiva "PED" 97/23/CE (cat. IV).
 Tarado de fábrica 7 - 8bar.

R140PT

CÓDIGO	MEDIDA	€/ud	□	⊞
R140PY021	1/2"x15	42,70	1	-
R140PY026	1/2"x15	42,70	1	-
R140PY031	3/4"x22	50,10	1	-
R140PY036	3/4"x22	50,10	1	-



Válvula de seguridad combinada de temperatura y presión. Dispone de marcado CE según directiva 97/23/CE.
 Conexión roscada macho con racor a bicono para tubo de cobre.
 Tarado de temperatura 90°C.
 Tarado de presión 4bar o 7 bar.
 Presión nominal 10bar.
 Fluidos compatibles: agua.

R140PT-1

CÓDIGO	MEDIDA	€/ud	□	⊞
R140PX028	1/2"x15	62,75	1	-
R140PX038	3/4"x22	71,70	1	-



Válvula de seguridad combinada de temperatura y presión, para instalaciones solares térmicas. Dispone de marcado CE según directiva 97/23/CE. Conexión roscada macho con racor a bicono para tubo de cobre.

Tarado de temperatura 100°C.

Tarado de presión 10bar.

Presión nominal 10bar.

Fluidos compatibles: agua.

R141

CÓDIGO	MEDIDA	€/ud	□	⊞
R141Y003	1/2"	9,75	1	-
R141Y014	3/4"	10,75	1	-
R141Y015	1"	11,25	1	-
R141Y016	1 1/4"	20,25	1	-
R141Y017	1 1/2"	20,60	1	-



Embudo de descarga a vista fabricado en latón.

Utilizar en combinación con válvula de seguridad.

R141C

CÓDIGO	MEDIDA	€/ud	□	⊞
R141CY004	3/4"x3/4"	31,45	1	20
R141CY005	1"x1"	38,00	1	20
R141CY006	1 1/4"x1 1/4"	61,55	1	10



Embudo de descarga a vista con curva a 90°,

fabricado en latón. Utilizar en combinación con válvula de seguridad.

R554E

CÓDIGO	MEDIDA	€/ud	□	⊞
R554EY001	1"	60,45	1	-



Grupo de seguridad con purgador automático, válvula de seguridad, manómetro y grifo de descarga.

R554F

CÓDIGO	MEDIDA	€/ud	□	⊞
R554FY001	1"	51,85	1	-



Grupo de seguridad con purgador automático, válvula de seguridad y manómetro.

R554P

CÓDIGO	MEDIDA	€/ud	☐	☒
R554PY005	1"	52,20	1	-



Grupo de seguridad con purgador automático, válvula de seguridad, manómetro y conexión libre de 1/4".

R74A

CÓDIGO	MEDIDA	€/ud	☐	☒
R74AY002	3/8"	10,20	1	20
R74AY003	1/2"	10,25	1	20
R74AY004	3/4"	14,05	1	20
R74AY005	1"	20,35	1	10
R74AY006	1" 1/4	32,75	1	10
R74AY007	1" 1/2	42,85	1	5
R74AY008	2"	63,65	1	2
R74AY009	2" 1/2	120,90	1	9
R74AY010	3"	248,95	1	6
R74AY011	4"	451,10	1	2



Filtro inspeccionable con malla en acero Inox. Cuerpo y tapón en latón o bronce (para medidas de 2 1/2", 3", 4").
Temperatura máxima de trabajo 110°C.
Presión máxima de trabajo 16bar.

P36S

CÓDIGO	MEDIDA	€/ud	☐	☒
P36SY003	1/2"	1,03	1	-
P36SY004	3/4"	1,25	1	-
P36SY005	1"	1,54	1	-
P36SY006	1" 1/4	2,15	1	-
P36SY007	1" 1/2	2,20	1	-
P36SY008	2"	3,60	1	-



Cartucho de filtro en acero Inox para R74A.

R60

DISCO DE PLÁSTICO

CÓDIGO	MEDIDA	€/ud	☐	☒
R60Y002	3/8"	8,75	1	40
R60Y003	1/2"	8,80	1	30
R60Y004	3/4"	10,50	1	18
R60Y005	1"	13,55	1	14
R60Y006	1" 1/4	19,15	1	12
R60Y007	1" 1/2	23,65	1	10
R60Y008	2"	35,30	1	6
R60Y009	2" 1/2	76,40	1	-
R60Y010	3"	109,35	1	-
R60Y011	4"	176,35	1	-

DISCO METÁLICO

CÓDIGO	MEDIDA	€/ud	☐	☒
R60Y032	3/8"	12,85	1	30
R60Y033	1/2"	13,20	1	30
R60Y034	3/4"	14,90	1	18
R60Y035	1"	18,85	1	14
R60Y036	1 1/4"	30,40	1	12
R60Y037	1 1/2"	41,90	1	10
R60Y038	2"	60,95	1	6
R60Y039	2" 1/2	151,30	1	-
R60Y040	3"	216,35	1	-
R60Y041	4"	338,65	1	-



Válvula de retención a disco con obturador metálico o plástico (según modelo). Cuerpo en latón CW617N.
Temperatura máxima de trabajo 110°C.

Presión máxima de trabajo (obturador plástico):
- 16bar (3/8" a 1").
- 10bar (1 1/4" a 2").
- 8bar (2 1/2" a 4").

Presión máxima de trabajo (obturador metálico):
- 35bar (3/8" a 1").
- 25bar (1 1/4" a 2").
- 12bar (2 1/2" a 4").

Presión de apertura 0,02bar.

N5

CÓDIGO	MEDIDA	€/ud	□	⊞
N5Y003	1/2"	10,25	1	20
N5Y004	3/4"	14,45	1	15
N5Y005	1"	18,50	1	10
N5Y006	1" 1/4	28,25	1	10
N5Y007	1" 1/2	34,20	1	6
N5Y008	2"	51,65	1	3
N5Y009	2" 1/2	89,35	1	-
N5Y010	3"	126,65	1	-
N5Y011	4"	193,70	1	-



Válvula de retención a clapeta con estanqueidad por junta de goma NBR.
Temperatura máxima de trabajo 100°C.
Presión máxima de trabajo 16bar (3/8" a 3") o 10bar (4").

N6

CÓDIGO	MEDIDA	€/ud	□	⊞
N6Y003	1/2"	10,75	1	20
N6Y004	3/4"	13,15	1	15
N6Y005	1"	19,45	1	10
N6Y006	1" 1/4	27,55	1	10
N6Y007	1" 1/2	35,15	1	6
N6Y008	2"	48,45	3	4
N6Y009	2" 1/2	73,50	1	12
N6Y010	3"	106,35	1	10



Válvula de retención a clapeta con estanqueidad metal-metal.
Temperatura máxima de trabajo 100°C.
Presión máxima de trabajo 16bar.

K373

CÓDIGO	MEDIDA	€/ud	□	⊞
K373Y011	40°C a 80°C	125,45	1	-
K373Y012	40°C a 80°C	129,95	1	10



Termostato de seguridad con sonda de inmersión.
Tarado de temperatura en fábrica 50°C.
Campo regulación temperatura 40÷80°C.
Alimentación 230Vac, 50Hz.

NOTAS

K373Y011: Sin vaina R227.
K373Y012: Con vaina R227.

K3731

TERMOSTATO A INMERSIÓN

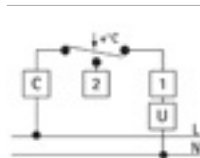
CÓDIGO	MEDIDA	€/ud	□	⊞
K373Y021	0°C a 90°C	45,25	1	-
K373Y022	0°C a 90°C	75,55	1	-
K373Y023	-	49,85	1	-
K373Y033	1/2	51,45	1	-

TERMOSTATO A CONTACTO

CÓDIGO	MEDIDA	€/ud	□	⊞
K373Y013	20°C a 90°C	24,50	1	-

CONEXIONES ELECTRICAS

K373Y021

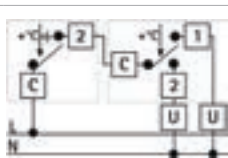


Terminal 1: abre el circuito al aumentar la temperatura

Terminal 2: cierra el circuito al aumentar la temperatura

Terminal 3: entrada común de la temperatura

K373Y022



Limitador

Terminal 2: abre el circuito al aumentar la temperatura

Terminal C: entrada común

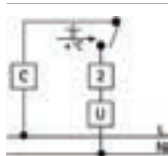
Regulador

Terminal 1: abre el circuito al aumentar la temperatura

Terminal 2: cierra el circuito al aumentar la temperatura

Terminal C: entrada común

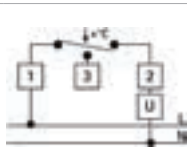
K373Y023 - K373Y033



Terminal 2: abre el circuito al aumentar la temperatura

Terminal C: entrada común

K373Y013



Terminal 1: entrada común

Terminal 2: abre el circuito al aumentar la temperatura

Terminal 3: cierra el circuito al aumentar la temperatura

K373Y021



K373Y013: termostato de contacto para regulación de temperatura.

Regulación de temperatura: 20±90°C.

Temperatura máxima cabezal 85°C.

Grado de protección IP30, clase de aislamiento I.

Conforme a la norma EN 60730-1, EN 60730-2-9.

Conforme a la directiva 73/23/CEE (baja tensión), 89/68/CEE (compatibilidad electromagnética).

K373Y022



K373Y021: Regulación temperatura.

Presión máxima de trabajo 10bar.

Regulación de temperatura: 0±90°C.

Limitación de seguridad: tarado de fábrica 100°C.

Ajuste de limitación con tornillo de regulación: 90±110°C.

Temperatura máxima cabezal 80°C.

Temperatura máxima bulbo 125°C.

Grado de protección IP40, clase de aislamiento I.

Conforme a la norma EN 60730-1, EN 60730-2-9.

Conforme a la directiva 73/23/CEE (baja tensión), 89/68/CEE (compatibilidad electromagnética).

Conforme a la directiva "PED" 97/23/CE.

K373Y023 - K373Y033



K373Y022: regulación temperatura y limitación de seguridad con rearme manual.

Presión máxima de trabajo 10bar.

Regulación de temperatura: 0±90°C.

Limitación de seguridad: tarado de fábrica 100°C.

Ajuste de limitación con tornillo de regulación: 90±110°C.

Temperatura máxima cabezal 80°C.

Temperatura máxima bulbo 125°C.

Grado de protección IP40, clase de aislamiento I.

Conforme a la norma EN 60730-1, EN 60730-2-9.

Conforme a la directiva 73/23/CEE (baja tensión), 89/68/CEE (compatibilidad electromagnética).

Conforme a la directiva "PED" 97/23/CE.

K373Y013



K373Y023: Limitación de seguridad con rearme manual.

Presión máxima de trabajo 10bar.

Limitación de seguridad: tarado de fábrica 100°C.

Temperatura máxima cabezal 80°C.

Temperatura máxima bulbo 125°C.

Grado de protección IP40, clase de aislamiento I.

Conforme a la norma EN 60730-1, EN 60730-2-9.

Conforme a la directiva 73/23/CEE (baja tensión), 89/68/CEE (compatibilidad electromagnética).

Conforme a la directiva "PED" 97/23/CE.

K373Y033: Limitación de seguridad con rearme manual.

Presión máxima de trabajo 10bar.

Limitación de seguridad: tarado de fábrica 110°C.

Temperatura máxima cabezal 80°C.

Temperatura máxima bulbo 125°C.

Grado de protección IP40, clase de aislamiento I.

Conforme a la norma EN 60730-1, EN 60730-2-9.

Conforme a la directiva 73/23/CEE (baja tensión), 89/68/CEE (compatibilidad electromagnética).

Conforme a la directiva "PED" 97/23/CE.

NOTAS

Pasacables M20x1,5.

Termostato de inmersión:
Vaina 1/2" incluida, bulbo de largo 97mm.

CERTIFICACIONES

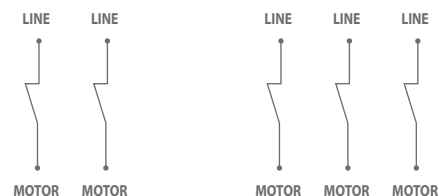


K374

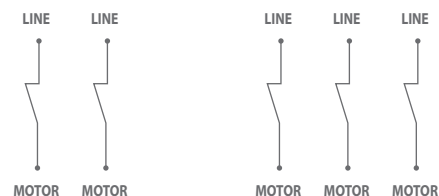
CÓDIGO	MEDIDA	€/ud		
K374Y001	1/4" - Tmax 110°C	48,10	1	-
K374Y002	1/4" - Tmax 110°C	58,35	1	-
K374Y003	1/4" - Tmax 55°C	37,40	1	-
K374Y004	1/4" - Tmax 55°C	39,25	1	-

CONEXIÓN ELÉCTRICA

K374Y001-K374Y002



K374Y003-K374Y004



K374Y001



K374Y002



K374Y003-K374Y004



K374Y001: Presostato de seguridad con rearme manual.

Rango regulable de presión 1÷5bar.
 Conexión 1/4".
 Presión de actuación (tarado de fábrica): 3bar.
 Rango temperatura de trabajo: 4÷110°C.
 Rango temperatura ambiente: -10÷55°C.
 Grado de protección IP44.
 Conforme a la directiva "PED" 97/23/CE.

K374Y002: Presostato de mínima con rearme manual.

Rango regulable de presión 0,5÷1,7bar.
 Conexión 1/4".
 Presión de actuación (tarado de fábrica): 0,9bar.
 Rango temperatura de trabajo: 4÷110°C.
 Rango temperatura ambiente: -10÷55°C.
 Grado de protección IP44.
 Conforme a la directiva "PED" 97/23/CE.

K374Y003: Presostato de regulación para autoclave.

Rango regulable de presión 1÷5bar.
 Conexión 1/4".
 Presión de actuación (tarado de fábrica): 1,4÷2,8bar.
 Rango temperatura de trabajo: 4÷55°C.
 Rango temperatura ambiente: -10÷55°C.
 Grado de protección IP44.
 Conforme a la directiva "PED" 97/23/CE.

K374Y004: Presostato de regulación para autoclave.

Rango regulable de presión 3÷12bar.
 Conexión 1/4".
 Presión de actuación (tarado de fábrica): 5÷7bar.
 Rango temperatura de trabajo: 4÷55°C.
 Rango temperatura ambiente: -10÷55°C.
 Grado de protección IP44.
 Conforme a la directiva "PED" 97/23/CE.

NOTAS

Contacto eléctrico normalmente cerrado.

Corriente nominal:
 16A (carga resistiva)
 10A (carga inductiva)

Tensión nominal:
 250V (para K374Y001 y K374Y002)
 500V (para K374Y003 y K374Y004)

K500

CÓDIGO	MEDIDA	€/ud		
K500Y002	-	128,20	1	15



Flujostato para detección de flujo en instalaciones de calefacción y/o refrigeración.
 Incluye 4 palas para tubo DN25÷DN200.
 Grado de protección IP65.
 Temperatura máxima de fluido 110°C.
 Presión máxima de trabajo 10bar.

R225I

CÓDIGO	MEDIDA	€/ud	☐	☒
R225IY004	1/4" Post. 0-6 bar	10,20	1	4
R225IY007	1/4" Post. 0-10 bar	10,20	1	1
R225IY005	1/4" Lateral 0-6 bar	9,90	1	-
R225IY006	1/4" Lateral 0-10 bar	9,90	1	-
R225IY009	3/8" Lateral 0-4 bar	22,60	1	-
R225IY010	3/8" Lateral 0-6 bar	22,60	1	-
R225IY011	3/8" Lateral 0-10 bar	22,60	1	-



Manómetro para medir la presión de la instalación. Aguja roja para referencia.
Diámetro de esfera 52mm.
Conexión macho posterior o lateral.
Temperatura máxima de trabajo 110°C.
Escala de 0÷4, 0÷6 o 0÷10bar.

R540

CÓDIGO	MEDIDA	€/ud	☐	☒
R540Y002	3/8" (0°-80°C)	25,35	1	240
R540Y003	1/2" (0°-180°C)	25,35	1	50

Termómetro con vaina. Conexión posterior.
R540Y002: Escala de 0÷80°C.
R540Y003: Escala de 0÷120°C.



R540I

CÓDIGO	MEDIDA	€/ud	☐	☒
R540IY001	1/2" posterior - vaina 50mm	12,40	1	-
R540IY002	1/2" posterior - vaina 100mm	14,65	1	-
R540IY003	1/2" lateral - vaina 50mm	36,70	1	-

Termómetro bimetálico a inmersión para medir temperatura del agua de la instalación.
Escala graduada de 0÷120°C.
Diámetro de esfera 80mm.
Conexión 1/2" M posterior o lateral.
Temperatura máxima de trabajo 120°C.
Presión máxima de trabajo 10bar.



R55

CÓDIGO	MEDIDA	€/ud	☐	☒
R55Y002	3/8"	8,90	10	50
R55Y003	1/2"	8,30	10	50
R55Y004	3/4"	11,40	5	50
R55Y005	1"	14,50	4	20
R55Y006	1" 1/4	20,95	5	30
R55Y007	1" 1/2	30,55	3	18
R55Y008	2"	49,60	2	12
R55Y009	2" 1/2	83,65	1	6
R55Y010	3"	105,85	1	3
R55Y012	4"	265,15	1	2



Válvula de compuerta con conexiones hembra.
Adaptada para uso en agua fría, agua caliente y vapor a baja presión.
Rango de temperatura 5÷110°C.
Presión máxima de trabajo:
- 16bar (a 23°C).
- 10bar (a 95°C).

R147N

CÓDIGO	MEDIDA	€/ud	☐	☒
R147NY004	3/4"	16,35	1	25



Válvula diferencial para instalaciones de calefacción. Conexiones hembra.
Temperatura máxima de trabajo 120°C.
Presión máxima de trabajo 10bar.

R227

CÓDIGO	MEDIDA	€/ud	☐	☒
R227Y001	1/2" - 45mm	3,25	1	25
R227Y010	1/2" - 100mm	7,40	1	15

Vaina en latón para alojamiento de termómetro.
Temperatura máxima de trabajo 120°C.
Presión máxima de trabajo 16bar.



R226

CÓDIGO	MEDIDA	€/ud	☐	☒
R226Y001	1/2"x4 bar	24,20	1	-
R226Y002	1/2"x6 bar	25,15	1	-

Termomanómetro con conexión posterior de 1/2".



R228I

CÓDIGO	MEDIDA	€/ud	☐	☒
R228IY001	1/4"	19,00	1	5
R228IY002	3/8"	19,50	1	5
R228IY003	1/2"	21,55	1	5

Válvula portamanómetro de tres vías, dotado de brida par inserción de manómetro de control en verificación.
Fabricado en latón y accionamiento de plástico.
Temperatura máxima de trabajo 120°C.
Presión máxima de trabajo 25bar.



R228A

CÓDIGO	MEDIDA	€/ud	☐	☒
R228AY001	1/4"	12,00	1	-
R228AY002	3/8"	13,00	1	-
R228AY003	1/2"	14,60	1	-

Lira para protección de manómetro en altas presiones. Tubo en cobre niquelado.
Utilizar en combinación con el manómetro R225 y válvula portamanómetro R228I.
Conexión macho-hembra.
Temperatura máxima de trabajo 120°C.
Presión máxima de trabajo 25bar.



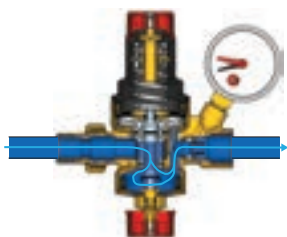
> LLENADO DE LA INSTALACIÓN

R150M

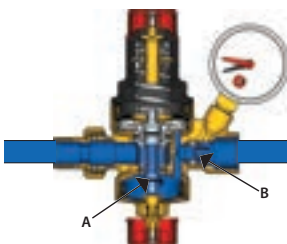
CÓDIGO	MEDIDA	€/ud	□	▣
R150MY003	1/2" - con manómetro	81,05	1	10
R150MY013	1/2" - sin manómetro	71,90	1	10

FUNCIONAMIENTO

El fluido proveniente del suministro de agua entra en el grupo de relleno R150M y carga el sistema hasta lograr la presión deseada (presión de calibrado).

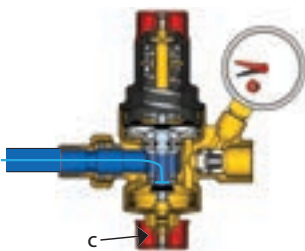


Cuando el sistema está en presión, el obturador (A) se cierra y evita el paso de fluido. La válvula de retención (B) evita el retorno al sistema de suministro de agua.



El grupo de llenado R150M carga automáticamente el agua en el sistema en caso de que la presión caiga por debajo del valor de calibración, con el fin de restablecer la presión deseada.

Es posible desactivar la función de llenado automático cerrando completamente la válvula de cierre (C).



Grupo de llenado automático para instalación de calefacción y/o refrigeración a circuito cerrado. Posibilidad de preregulación de la presión del fluido de la instalación.

Conexión entrada 1/2" M con enlace, salida 1/2" H, manómetro 1/4" H.

Cartucho y filtro extraíbles para facilitar mantenimiento.

Función anticaudal y función de regulación de la presión con asiento compensado.

Disponibles con o sin manómetro.

Rango de regulación de la presión 0,3÷4bar.

Tarado de fábrica 1,5bar.

Precisión de regulación ±0,2bar.

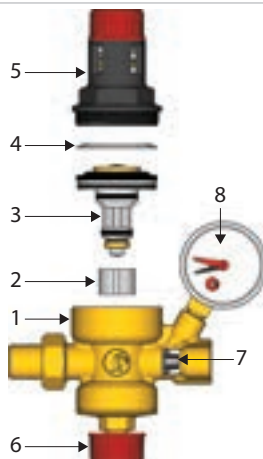
Escala de manómetro (solo para R150MY003):

0÷4bar.

Rango de temperatura: 5÷70°C.

Presión máxima de entrada 16bar.

COMPONENTES Y ADVERTENCIA DE INSTALACIÓN



1 = Cuerpo del grupo de relleno (latón)

2 = Filtro en acero inoxidable

3 = Cartucho

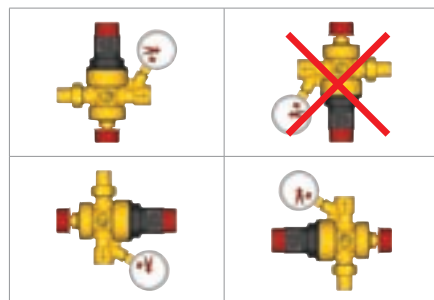
4 = Anillo de desenrosque

5 = Cabezal superior con escala de preajuste

6 = Válvula de cierre

7 = Válvula de retención

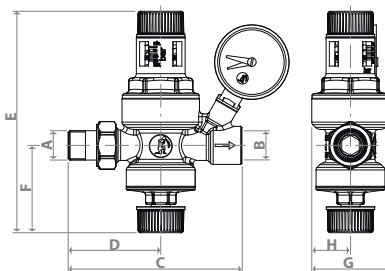
8 = Manómetro (solo per R150MY003; tapón para R150MY013)



¡Advertencia!

Se aconseja instalar una válvula de interceptación aguas arriba del grupo de llenado para permitir la operación de limpieza y manutención del cartucho y el filtro.

DIMENSIONES



CÓDIGO	VERSIÓN	A x B	C [mm]	D [mm]	E [mm]	F [mm]	G [mm]	H [mm]
R150MY003	con manómetro	1/2" M x 1/2" F	121	64,5	154	61	54	27
R150MY013	senza manómetro	1/2" M x 1/2" F	121	64,5	154	61	54	27

R150

CÓDIGO	MEDIDA	€/ud	□	▣
R150Y103	1/2"	38,75	1	25



Válvula de llenado automático en latón. Conexión hembra - hembra.

Conexión de 1/4" para manómetro (no incluido) y tapón de latón.

Rango de regulación de la presión 0,5÷3bar.

Temperatura máxima de trabajo 70°C.

Presión máxima de entrada 10bar.

R150B

CÓDIGO	MEDIDA	€/ud	□	⊞
R150BY103	1/2"	40,55	1	25



Válvula de llenado automático en latón. Conexión hembra - macho con enlace.
Conexión de 1/4" para manómetro (no incluido) y tapón de latón.
Rango de regulación de la presión 0,5÷3bar.
Temperatura máxima de trabajo 70°C.
Presión máxima de entrada 10bar.

R623

CÓDIGO	MEDIDA	€/ud	□	⊞
R623Y004	3/4"	21,05	1	25
R623Y005	1"	26,55	1	25



Desconector de doble retención para instalación de fontanería.
Tipo ED (UNI EN 1717).
Conexión roscada hembra.
Rango de temperatura 5÷80°C.
Presión máxima de trabajo 10bar.
Homologación A.S.S.E. 1024 - CSA.
Conforme EN 13959.

R624

CÓDIGO	MEDIDA	€/ud	□	⊞
R624Y003	1/2"	34,85	1	20
R624Y004	3/4"	33,10	1	25



Desconector con zona de presión reducida no controlable. Tipo CA (UNI EN 1717).
Protección de fluido categoría 1, 2, 3 (UNI EN 1717).
Conexión roscada hembra con enlace.
Incluye descarga con conexión roscada hembra.
Rango de temperatura 5÷90°C.
Presión máxima de trabajo 10bar.
Homologación A.S.S.E. 1012 - CSA.
Conforme EN 14367.

R626

ROSCADAS

CÓDIGO	MEDIDA	€/ud	□	⊞
R626Y003	1/2"	471,35	1	-
R626Y004	3/4"	601,95	1	-
R626Y005	1"	621,20	1	-
R626Y006	1 1/4"	1.073,15	1	-
R626Y007	1 1/2"	1.107,00	1	-
R626Y008	2"	1.564,70	1	-

EMBRIADAS

CÓDIGO	MEDIDA	€/ud	□	⊞
R626Y106	DN65	3.020,10	1	-
R626Y108	DN80	3.450,10	1	-
R626Y110	DN100	5.073,70	1	-
R626Y115	DN150	7.972,90	1	-



Desconector de doble retención con zona de presión reducida controlada. Tipo BA.
Protección del fluido categoría 1, 2, 3, 4 según EN 1717.

NOTAS

Conexión roscada macho con enlace.
Conexión embriada conforme a EN 12729.

> INSTALACIÓN DE GASOIL

N16

CÓDIGO	MEDIDA	€/ud	□	⊕
N16Y005	1"	16,90	1	20

Válvula de interceptación.
Incluye biconos de nylon de 8, 10, 12mm y tuerca de latón.



N16-1

CÓDIGO	MEDIDA	€/ud	□	⊕
N16KY001	2" - 1700mm	33,45	1	10
N16KY002	2" - 2200mm	34,75	1	10
N16KY003	2" - 3200mm	34,35	1	-

kit de aspiración formado por válvula de interceptación y tubo flexible de aspiración, conexión para nivel neumático y certificado de idoneidad VVFF.

Incluye biconos de nylon de 8, 10, 12mm y tuerca de latón.



N16-2

CÓDIGO	MEDIDA	€/ud	□	⊕
N16GY001	1" - 1700mm	26,25	1	10
N16GY002	1" - 2200mm	28,20	1	10
N16GY003	1" - 3200mm	29,65	1	10

kit de aspiración formado por válvula de interceptación y tubo flexible de aspiración, conexión para nivel neumático y certificado de idoneidad VVFF.

Incluye biconos de nylon de 8, 10, 12mm y tuerca de latón.



N1

CÓDIGO	MEDIDA	€/ud	□	⊕
N1UY001	3/8" M	30,95	1	20
N1Y001	3/8" H	29,15	1	20
N1UY012	3/8" MF FRANCE	31,80	1	20

Filtro para gasoil con grifo, válvula de retención y soporte de fijación.

Vaso en nylon transparente o metálico, filtro en acero Inox.

Incluye biconos de nylon de 8, 10, 12mm y tuerca de latón.



N1UB

CÓDIGO	MEDIDA	€/ud	□	⊕
N1UBY001	3/8" M	33,80	1	20

Filtro para gasoil con válvula de cierre, recirculación, válvula de retención y soporte de fijación.

Vaso en nylon transparente, filtro en acero inoxidable.

Completo con biconos en nylon de 8, 10, 12 mm y tuerca en latón.



N2

CÓDIGO	MEDIDA	€/ud	□	⊕
N2Y001	3/8" H	23,40	1	20

Filtro para gasoil con grifo.
Vaso en nylon transparente, filtro en acero Inox.



N3

CÓDIGO	MEDIDA	€/ud	□	⊕
N3Y001	3/8" H	17,50	1	25

Filtro simple para gasoil.
Vaso en nylon transparente, filtro en acero Inox.



N10

CÓDIGO	MEDIDA	€/ud	□	⊕
N10Y002	3/8"	6,35	20	200
N10Y003	1/2"	9,65	10	100

Válvula de retención de doble esfera en acero Inox, con estanqueidad por unión metálica.



N12

CÓDIGO	MEDIDA	€/ud	□	⊕
N12Y005	1" x8x10x12	8,50	10	100

Racor doble para depósito. Conexión a 45°.
Incluye prensa estopa para tubo de cobre.



N14

CÓDIGO	MEDIDA	€/ud	□	⊕
N14Y001	2" x2"	12,65	1	50
N14Y003	2" x2" 3/4"	13,35	1	30

Tapón de carga para depósito.



N15

CÓDIGO	MEDIDA	€/ud	□	⊕
N15Y005	1"	4,80	1	150
N15Y006	1" 1/4	6,55	1	100
N15Y007	1" 1/2	6,90	1	50
N15Y008	2"	9,65	1	50

Tapa de venteo para depósito.



N17

CÓDIGO	MEDIDA	€/ud		
N17Y002	3/8"	7,75	10	100
N17Y003	1/2"	8,90	10	100

Válvula recta de interceptación con conexiones hembra.



P36

CÓDIGO	MEDIDA	€/ud		
P36Y001	-	3,05	1	-

Recambio de filtro en malla de acero inoxidable para N1-N2-N3.



N18-1

CÓDIGO	MEDIDA	€/ud		
N18CY001	-	3,10	25	250

Polea para palanca de maniobra.



P36F

CÓDIGO	MEDIDA	€/ud		
P36Y002	-	3,85	1	-

Recambio de filtro en malla de acero inoxidable para N1-N2-N3.



N20

CÓDIGO	MEDIDA	€/ud		
N20Y003	1/2"	7,20	10	200

Válvula de retención para instalación de gasoil, con conexiones hembra.



P78T

CÓDIGO	MEDIDA	€/ud		
P78TY001	-	2,90	1	-
P78TY002	-	1,90	1	-

Cartucho para filtros N1-N2-N3.



NOTAS

P78TY001: para filtro N1

P78TY002: para filtros N2-N3

N42

CÓDIGO	MEDIDA	€/ud		
N42Y007	1 1/2"x8x10x12	8,25	10	100

Racor doble para depósito. Conexiones paralelas con prensaestopa para tubo de cobre.



> INSTALACIÓN DE BIOMASA

130,11

R157A

CONEXIÓN 1"

CÓDIGO	MEDIDA	€/ud		
R157AY051	1" (45°C)	101,95	1	20
R157AY052	1" (55°C)	101,95	1	20
R157AY053	1" (60°C)	101,95	1	20
R157AY054	1" (70°C)	101,95	1	20

CONEXIÓN 1 1/4"

CÓDIGO	MEDIDA	€/ud		
R157AY061	1 1/4" (45°C)	133,40	1	10
R157AY062	1 1/4" (55°C)	133,40	1	10
R157AY063	1 1/4" (60°C)	133,40	1	10
R157AY064	1 1/4" (70°C)	133,40	1	10



Válvula anticondensación para caldera de combustible sólido.

Rango de temperatura de trabajo 5÷100°C.

Presión máxima de trabajo 10bar.

Compatible con agua y solución glicolada (máximo 50% glicol).

Temperatura de tarado 45°C, 55°C, 60°C, 70°C según versión.

Precisión de tarado ±2°C.

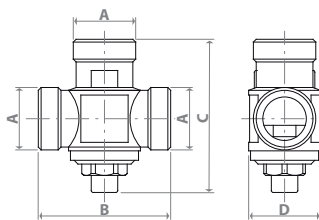
NOTAS

Válvula conexión 1": Kv 3,2 - DN25.

Válvula conexión 1 1/4": Kv 9 - DN32.

DIMENSIONES

CÓDIGO	A	B [mm]	C [mm]	D [mm]
R157AY051	1"M	68	81	39
R157AY052				
R157AY053				
R157AY054				
R157AY061	1 1/4"M	93	103	55
R157AY062				
R157AY063				
R157AY064				



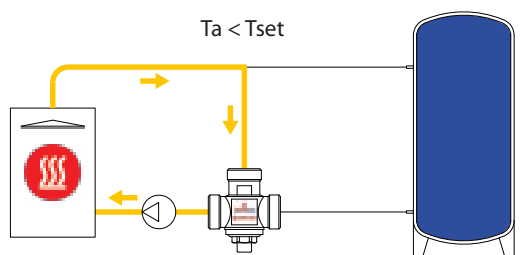
Principio de funcionamiento de la válvula anticondensación

La válvula anticondensación regula la temperatura del fluido en el circuito de retorno de las instalaciones de calefacción a combustible sólido (caldera de leña, pellet, astillas de madera, chimeneas, estufas térmicas y cocinas térmicas), permiten reducir el fenómeno de la condensación del vapor contenido en el humo de combustión y como consecuencia el ensuciamiento de las superficies de intercambio de calor y el tubo de salida de humos, manteniendo así la eficiencia del generador.

Fase 1: $T_a < T_{set}$ – Arranque

By-pass abierto; retorno cerrado.

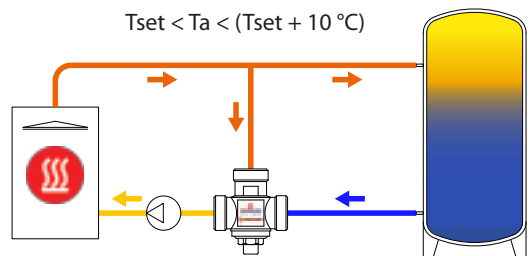
El agua que sale del generador retorna inmediatamente dentro permitiendo el rápido incremento de la temperatura.



Fase 2: $T_{set} < T_a < (T_{set} + 10^\circ C)$ – Ejercicio mixto

By-pass abierto; retorno abierto.

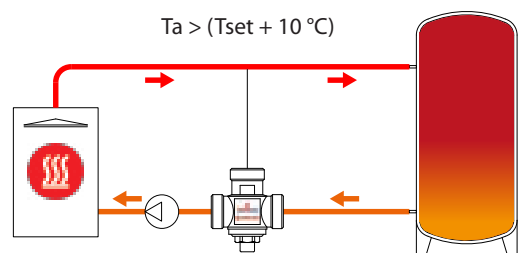
Cuando el agua que sale de la caldera llega a la temperatura de tarado de la válvula, inicia la apertura del circuito de retorno de usuario. Al aumentar la temperatura de fluido se reducirá gradualmente el fluido del by-pass a favor del circuito de retorno.



Fase 3: $T_a > (T_{set} + 10^\circ C)$ – Ejercicio a régimen

By-pass cerrado; retorno abierto.

Cuando el agua que sale de la caldera supera la temperatura de ajuste de la válvula en unos 10°C, se cierra totalmente el by-pass, permitiendo a los usuarios de usar todo el caudal disponible de la caldera.



R586AC

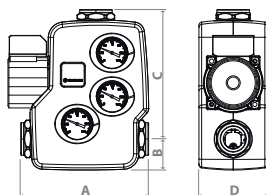
CÓDIGO	MEDIDA	€/ud	□	⊞
R586AY151	1" (55°C)	736,84	1	-
R586AY152	1" (60°C)	736,84	1	-
R586AY153	1" (65°C)	736,84	1	-
R586AY154	1" (70°C)	736,84	1	-

NEW



DIMENSIONES

CÓDIGO	A [mm]	B [mm]	C [mm]	D [mm]
R586AY151				
R586AY152	205	50	207	110
R586AY153				
R586AY154				



Grupo de recirculación anticondensación y distribución DN25.

Conexión hembra 1" (ISO 228) con enlace.

Cuerpo en fundición, enlaces de latón con válvulas de esfera incorporadas.

Rango de temperatura de trabajo 0÷100°C.

Rango de temperatura ambiente 5÷60°C.

Presión máxima de trabajo 6bar.

Compatible con agua y solución glicolada (máximo 50% glicol).

Válvula termostática anticondensación incorporada: temperatura de tarado 55°C, 60°C, 65°C, 70°C según versión.

Precisión de tarado ±2°C.

Escala de termómetros 0÷120°C.

Incluye circulador automodulante conforme ErP.

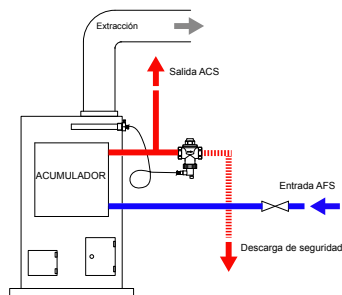
Alimentación eléctrica 230Vac - 50Hz.

Incluye aislamiento.

R144ST

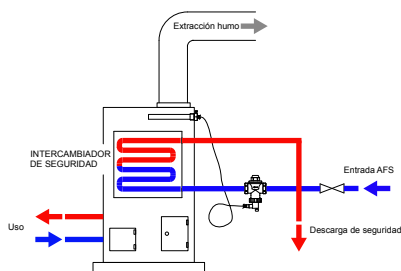
CÓDIGO	MEDIDA	€/ud	□	⊞
R144SY001	3/4"	127,35	1	10

INSTALACIÓN CON GENERADOR DE CALOR CON ACUMULADOR INTEGRADO



Al alcanzar la temperatura ambiente, la válvula R144ST se abre para descargar el agua caliente almacenada en el acumulador integrado en la caldera para bajar la temperatura.

INSTALACIÓN CON GENERADOR DE CALOR CON INTERCAMBIADOR DE SEGURIDAD



Al superar la temperatura de tarado la válvula R144ST abre, haciendo circular agua fría en el intercambiador de seguridad del generador, para bajar la temperatura.



Válvula de descarga de seguridad térmica con sensor de doble seguridad.

Conexión 3/4" hembra.

Incluye sonda a distancia con vaina. Conexión 1/2" M.

Longitud del capilar: 1300mm.

Rango de trabajo: 92÷112°C.

Temperatura máxima del sensor: 122°C.

Rango de temperatura ambiente 0÷80°C.

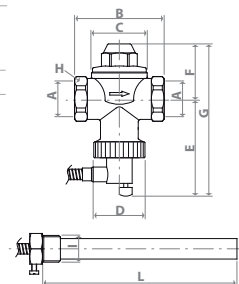
Presión máxima de trabajo 10bar.

Temperatura de tarado 95°C.

Fluido compatible: agua.

DIMENSIONES

CÓDIGO	A	B [mm]	C [mm]	D [mm]	E [mm]	F [mm]	G [mm]	H	I	L [mm]
R144SY001	G3/4"	70	Ø 43	Ø 40	76	43	119	ex.32	G1/2"	152



R158

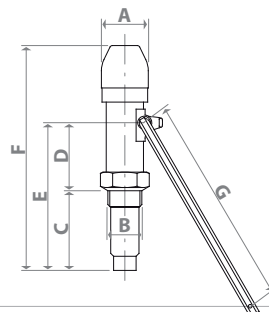
CÓDIGO	MEDIDA	€/ud		
R158Y001	3/4"	44,45	1	20



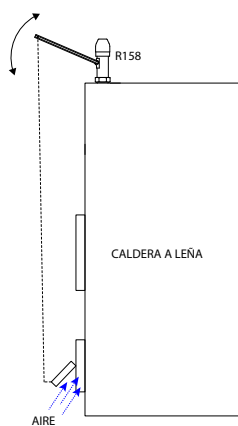
Regulador de tiro para regulación de la temperatura de impulsión en caldera a combustible sólido de tiro natural.
Material metálico.

DIMENSIONES

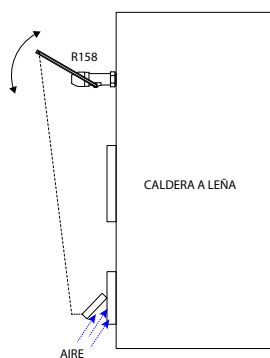
CÓDIGO	A [mm]	B [mm]	C [mm]	D [mm]	E [mm]	F [mm]	G [mm]
R158Y001	Ø 37	G3/4" conico ISO7/1	62	54,5	116,5	177	145

**INSTALACIÓN**

Instalación vertical



Instalación horizontal





El sensor termostático detecta la temperatura del agua y entonces regula la aportación del aire de ventilación por medio de una leva especial y una cadena.
Puede ser instalado en posición horizontal o vertical.

> INSTALACIÓN SOLAR TÉRMICA

Captadores solares

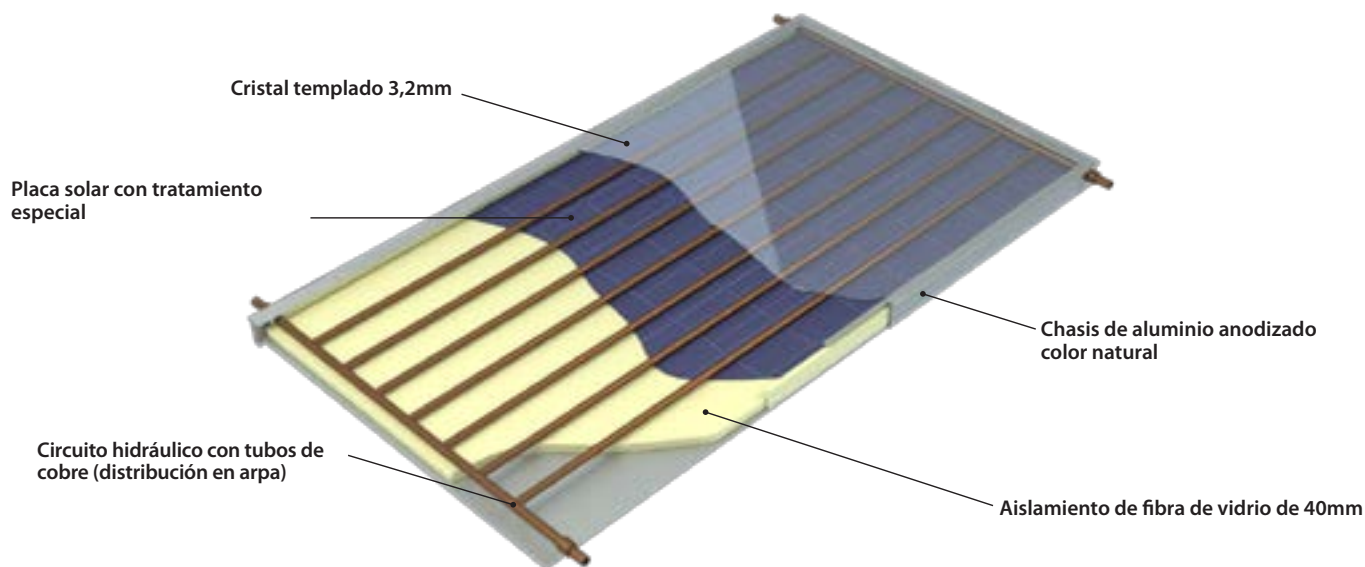
GS

CÓDIGO	MEDIDA	EURO/pcs.	CL		
GS200Y001	2 M2	675,70	1	-	-
GS250Y001	2,5 M2	865,75	1	-	-



Captador solar plano para instalación solar térmica. Estructura en aluminio anodizado.

Características principales del colector solar



Solar Keymark



078/000180
078/000181

Solar Keymark representa la marca de calidad en Europa para los productos destinados a la instalación solar térmica. Escoger productos Solar Keymark significa cumplir automáticamente los estándares europeos, una garantía de alta calidad y de información fiable de las prestaciones obtenidas.

Garantía

10
años

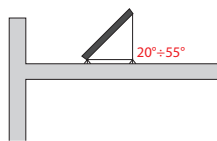
Datos técnicos

	GS200Y001 (2,0 m ²)	GS250Y001 (2,0 m ²)
Superficie total colector	2,01 m ²	2,51 m ²
Superficie total abertura	1,92 m ²	2,40 m ²
Absorción	95%	95%
Emisiones	5%	5%
Eficiencia instantánea	0,770	0,765
Capacidad térmica	5,58 KJ/m ² K	5,23 KJ/m ² K
Potencia máxima	1478 W	1839 W
Temperatura de estancamiento	198 °C	198 °C
Caudal recomendado por m ²	15-40 l/h	15-40 l/h
Presión máxima	10 bar	10 bar
Peso (en vacío)	37 kg	44 kg
Contenido de fluido	1,50 l	1,71 l
Dimensiones (LxHxP)	1147 x 1753 x 87 mm	1147 x 2187 x 87 mm
Fabricante	Solar Keymark	Solar Keymark
Normativas cumplidas	UNI EN 12975-1-2:2006	UNI EN 12975-1-2:2006

Soporte para techo plano e inclinado

GSTP

CÓDIGO	MEDIDA	€/ud	□	▣
GSTP1Y001	para 1 captador de 2,0 m ²	263,05	1	9
GSTP1Y002	para 1 captador de 2,5 m ²	302,20	1	9
GSTP2Y001	para 2 captador de 2,0 m ²	398,15	1	9
GSTP2Y002	para 2 captador de 2,5 m ²	462,15	1	9
GSTP3Y001	para cap. juntos de 2,0 m ²	177,75	1	9
GSTP3Y002	para cap. juntos de 2,5 m ²	192,00	1	9



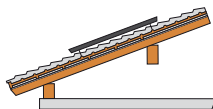
Soporte para cubierta plana.

COMPOSICIÓN DE SOPORTES MÚLTIPLES

Captadores	Captadores de 2,0 m ²	Captadores de 2,5 m ²
n. 1	n.1 GSTP1Y001	n.1 GSTP1Y002
n. 2	n.1 GSTP2Y001	n.1 GSTP2Y002
n. 3	n.1 GSTP2Y001 + n.1 GSTP3Y001 + n.2 310Y006	n.1 GSTP2Y002 + n.1 GSTP3Y002 + n.2 310Y006
n. 4	n.1 GSTP2Y001 + n.2 GSTP3Y001 + n.4 310Y006	n.1 GSTP2Y002 + n.2 GSTP3Y002 + n.4 310Y006

GSTI

CÓDIGO	MEDIDA	€/ud	□	▣
GSTI01Y003	per 1 collettore da 2,0-2,5 m ²	174,20	1	9
GSTI02Y001	per 2 collettori da 2,0-2,5 m ²	309,30	1	9
GSTI03Y002	per coll. aggiuntivo da 2,0-2,5 m ²	160,00	1	9



Soporte para techo inclinado.

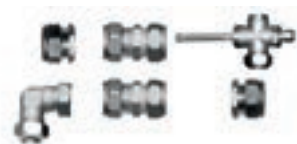
COMPOSICIÓN DE SOPORTES MÚLTIPLES

Captadores	Captadores de 2,0 m ² o 2,5 m ²
n. 1	n.1 GSTI01Y003
n. 2	n.1 GSTI02Y001
n. 3	n.1 GSTI02Y001 + n.1 GSTI03Y002 + n.2 310Y006
n. 4	n.1 GSTI02Y001 + n.2 GSTI03Y002 + n.4 310Y006

Kit de instalación y componentes

GSK

CÓDIGO	MEDIDA	€/ud	□	▣
GSK01Y001	kit hidráulico completo	156,45	-	-
GSK02Y002	racor portasonda con purgador	17,80	-	-



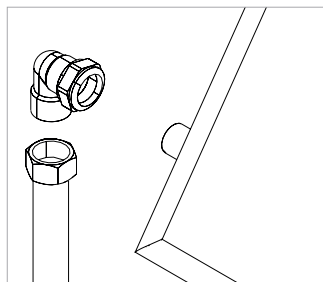
Kit hidráulico para conexión de captadores solares.

310

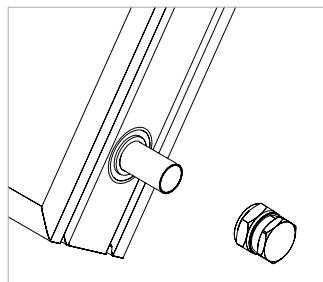
CÓDIGO	MEDIDA	€/ud	□	▣
310Y006	22x22	5,65	10	100



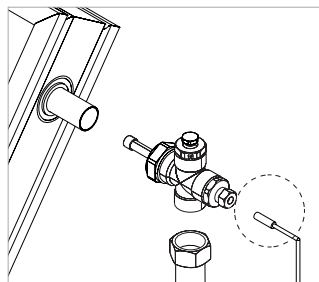
Manguito recto con adaptadores de tubo de cobre para instalación solar térmica.
Conforme a la norma EN 1254-2.
Campo de temperatura -20÷200 °C.
Presión máxima de trabajo 10 bar.



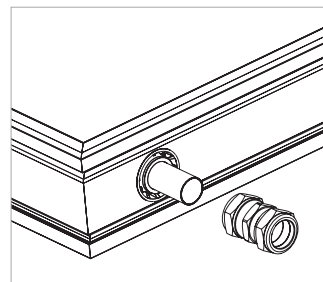
Racor de entrada



Tapón



Racor de salida con purgador manual + portasonda



Racor de conexión entre captadores

Energía solar térmica - Las aplicaciones



Gracias a la instalación de energía solar térmica, se puede producir agua caliente gratuitamente si existe suficiente irradiación solar; de esta manera se puede cubrir una parte muy grande de los requisitos anuales de agua caliente para uso sanitario, reduciendo al mismo tiempo el uso de generadores térmicos tradicionales, que en meses estivales incluso pueden permanecer apagados.



En las estaciones intermedias, la energía térmica producida por la instalación solar puede ser usada para complementar las exigencias de la instalación de calefacción. La integración alcanza su máxima eficacia en combinación con los sistemas de paneles radiantes en sus diversas versiones de suelo (tradicional o en seco), techo o pared.



La disponibilidad de electrodomésticos de nueva generación, capaz de gestionar la alimentación con agua precalentada, abre nuevas posibilidades en el uso de la instalación solar térmica. La costosa fase de calentamiento del agua de lavado mediante una resistencia eléctrica puede ser evitada, bajando así el consumo eléctrico y acortando el ciclo de lavado.

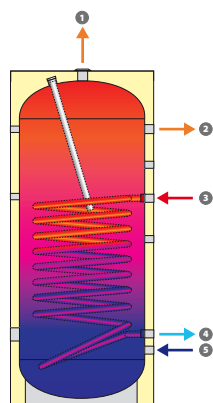


Si el edificio también dispone de piscina, la energía térmica sobrante generada por la instalación solar en época estival, puede ponerse a disposición de un circuito de intercambio térmico conectado a la piscina para facilitar el calentamiento y mantenimiento de una temperatura confortable del agua.



BS1

CÓDIGO	MEDIDA	€/ud	□	▣
BS1Y015	150 l	1.045,95	1	-
BS1Y020	200 l	1.422,50	1	-
BS1Y030	300 l	1.620,90	1	-
BS1Y040	400 l	1.988,00	1	-
BS1Y050	500 l	2.128,90	1	-
BS1Y080	800 l	3.406,20	1	-
BS1Y100	1000 l	3.858,60	1	-



LEYENDA

- 1 = Toma agua caliente sanitaria
- 2 = Toma agua caliente sanitaria
- 3 = Circuito solar (entrada)
- 4 = Circuito solar (retorno)
- 5 = Tubo de agua fría sanitaria

DATOS TÉCNICOS

Calentador de agua

Presión máxima de trabajo	10 bar
Temperatura máxima de trabajo	95 °C
Fluido	agua caliente sanitaria

Intercambiador de calor

Superficie de intercambio	de 0,60 a 2,40 m ² (ver tabla de códigos)
Presión máxima de trabajo	12 bar
Temperatura máxima de trabajo	110° C
Fluido	agua caliente (circuito suelo)

Aislamiento

Material	poliuretano expandido rígido
Espesor	40 mm
Densidad mínima aplicada	40 kg/m ³
Conductividad térmica inicial	0,0235 W/mK
Clase de combustión	B3 (según DIN 4102)
Acabado exterior	espuma de poliestireno gris RAL 9006

CÓDIGO	CAPACIDAD (L)	SUPERF. INTERCAMBIADOR (m ²)	DIMENSIONES (mm)	CAT. ENERGÉTICA
BS1Y015	150 l	0,60	Ø=580, H=1060	B
BS1Y020	200 l	0,80	Ø=580, H=1260	C
BS1Y030	300 l	1,05	Ø=630, H=1400	C
BS1Y040	400 l	1,20	Ø=730, H=1445	D
BS1Y050	500 l	1,45	Ø=730, H=1695	D
BS1Y080	800 l	2,00	Ø=880, H=1785	no aplicable
BS1Y100	1000 l	2,40	Ø=880, H=2035	no aplicable

Interacumulador de alto rendimiento con un único serpentín. Cuerpo en acero con tratamiento esmaltado anticorrosivo (según norma DIN 4753 para acumulación de agua para uso higiénico-sanitario). Incluye ánodo de magnesio con tester para control de desgaste. Aislamiento en poliuretano rígido (exento de CFC y HCFC) con revestimiento externo en poliestireno. Dispuesto para conexión de grupo de circulación y vaso de expansión.

Conforme al artículo 3.3 de la Directiva Europea 97/23/EC (PED) con exención de marcado CE.

NOTAS

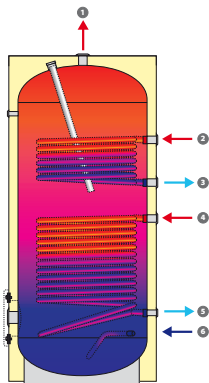
Para mayor información consultar la documentación técnica específica.

INFO

Garantía 5 años

BS2

CÓDIGO	MEDIDA	€/ud		
BS2Y020	200 l	1.756,10	1	-
BS2Y030	300 l	2.355,10	1	-
BS2Y040	400 l	2.799,65	1	-
BS2Y050	500 l	2.985,30	1	-
BS2Y080	800 l	4.645,25	1	-
BS2Y100	1000 l	4.897,40	1	-
BS2Y150	1500 l	5.812,65	1	-
BS2Y200	2000 l	7.720,00	1	-



CÓDIGO	CAPACIDAD (L)	SUPERF. TERMO-CAM. SUP. (SOLAR) [m²]	SUPERF. TERMO-CAM. INF. (integrado) [m²]	DIMENSIONES [mm]	CAT. ENERGÉTICA
BS2Y020	200 l	0,70	0,50	Ø=580, H=1260	C
BS2Y030	300 l	1,20	0,75	Ø=630, H=1400	C
BS2Y040	400 l	1,40	0,90	Ø=730, H=1445	D
BS2Y050	500 l	1,80	0,90	Ø=730, H=1695	D
BS2Y080	800 l	2,00	1,20	Ø=880, H=1785	no aplicable
BS2Y100	1000 l	2,40	1,20	Ø=880, H=2035	no aplicable
BS2Y150	1500 l	3,40	1,80	Ø=1200, H=2185	no aplicable
BS2Y200	2000 l	4,60	2,80	Ø=1300, H=2470	no aplicable



LEYENDA

- 1 = Toma agua caliente sanitaria
- 2 = Circuito generador térmico (entrada)
- 3 = Circuito generador térmico (retorno)
- 4 = Circuito solar (entrada)
- 5 = Circuito solar (retorno)
- 6 = Tubo de agua fría sanitaria

DATOS TÉCNICOS

Calentador de agua

Presión máxima de trabajo	10 bar
Temperatura máxima de trabajo	95 °C
Fluido	agua caliente sanitaria

Intercambiador de calor

Superficie de intercambio inferior (suelo)	de 0,70 a 2,40 m² (ver tabla de códigos)
Superficie de intercambio superior (integrado)	de 0,50 a 1,20 m² (ver tabla de códigos)
Presión máxima de trabajo	12 bar
Temperatura máxima de trabajo	110 °C
Fluido	agua caliente (circuito solar, caldera)

Aislamiento

Material	poliuretano expandido rígido
Espesor	40 mm
Densidad mínima aplicada	40 kg/m³
Conductividad térmica inicial	0,0235 W/mK

Interacumulador de alto rendimiento con doble serpentín. Cuerpo en acero con tratamiento esmaltado anticorrosivo (según norma DIN 4753 para acumulación de agua caliente para uso higiénico-sanitario). Incluye ánodo de magnesio con tester para control de desgaste. Aislamiento en poliuretano rígido (exento de CFC y HCFC) con revestimiento externo en poliestireno. Dispuesto para conexión de grupo de circulación y vaso de expansión.

Conforme al artículo 3.3 de la Directiva Europea 97/23/EC (PED) con exención de marcado CE.

NOTAS

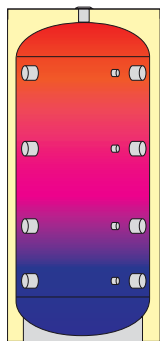
Para mayor información consultar la documentación técnica específica.

INFO

Garantía 5 años (3 años para volumen superior a 1000 l).

BP

CÓDIGO	MEDIDA	€/ud		
BPY030	300 l	1.224,15	1	-
BPY050	500 l	1.553,45	1	-
BPY080	800 l	2.425,05	1	-
BPY100	1000 l	2.679,80	1	-
BPY150	1500 l	3.893,55	1	-
BPY200	2000 l	4.645,25	1	-



Acumulador para uso como depósito de inercia en instalación solar térmica. Cuerpo en acero con tratamiento esmaltado anticorrosivo para agua caliente de calefacción. Aislamiento en poliuretano rígido (exento de CFC y HCFC) con revestimiento externo en poliestireno o en poliuretano con revestimiento de skay.

Conforme al artículo 3.3 de la Directiva Europea 97/23/EC (PED).

NOTAS

Para mayor información consultar la documentación técnica específica.

INFO

Garantía 5 años (3 años para volumen superior a 1000 l).

DATOS TÉCNICOS

Cuerpo acumulador

Presión máxima de trabajo	10 bar (versiones de 300 a 1000 l) 6 bar (versiones de 1500 y 2000 l)
Temperatura máxima	95 °C
Fluido	agua caliente circuito calefacción

Aislamiento (versiones de 300 a 1000 l)

Material	poliuretano expandido rígido
Espesor	40 mm
Densidad mínima aplicada	40 kg/m³
Conductividad térmica inicial	0,0235 W/mK
Tipo de combustión	B3 (segundo DIN 4102)
Acabado exterior	poliestireno grigio RAL 9006

Aislamiento (versiones de 1500 y 2000 l)

Material	poliuretano rígido
Espesor	70 mm
Conductividad térmica inicial	0,0235 W/mK
Acabado exterior	skay blanco

CÓDIGO	CAPACIDAD (l)	DIMENSIONES [mm]	CAT. ENERGÉTICA
BPY030	300 l	Ø=630, H=1400	C
BPY050	500 l	Ø=730, H=1695	D
BPY080	800 l	Ø=880, H=1785	no aplicable
BPY100	1000 l	Ø=880, H=2035	no aplicable
BPY150	1500 l	Ø=1140, H=2445	no aplicable
BPY200	2000 l	Ø=1240, H=2420	no aplicable

BC1

CÓDIGO	MEDIDA	€/ud	<input type="checkbox"/>	<input type="checkbox"/>
BC1Y060	600 l	3.094,90	1	-
BC1Y075	750 l	3.752,30	1	-
BC1Y100	1000 l	4.315,60	1	-
BC1Y150	1500 l	5.615,85	1	-
BC1Y200	2000 l	7.095,85	1	-



Acumulador tank-in-tank de alto rendimiento, para producción de agua caliente sanitaria y agua caliente para calefacción.

Acumulador integrado para agua sanitaria realizado en acero, tratamiento esmaltado anticorrosivo (según norma DIN 4753 para acumulación de agua caliente para uso higiénico-sanitario).

Contiene ánodo de magnesio con tester para el control de desgaste. Aislamiento en poliuretano rígido (exento de CFC y HCFC) con revestimiento externo en skay. Conforme al artículo 3.3 de la Directiva Europea 97/23/EC (PED) con exención de marcado CE.

NOTAS

Para mayor información consultar la documentación técnica específica.

BSER

CÓDIGO	MEDIDA	€/ud	<input type="checkbox"/>	<input type="checkbox"/>
BSERY005	11/4"M-L360 2,5 Kw - 230V	201,90	1	-



Resistencia eléctrica para calentamiento auxiliar del acumulador.

BSET

CÓDIGO	MEDIDA	€/ud	<input type="checkbox"/>	<input type="checkbox"/>
BSETY001	1/2"M	68,55	1	-

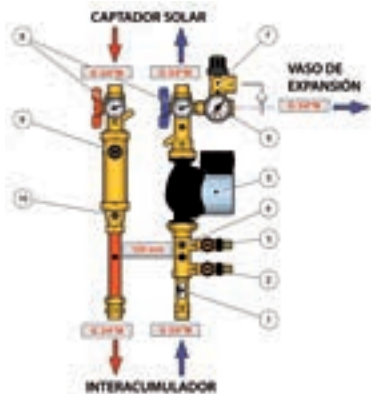


Termostato para resistencia eléctrica BSER.

R586S

CÓDIGO	MEDIDA	€/ud		
R586SY001	3/4"	507,05	1	-
R586SY108	1"	539,30	1	-

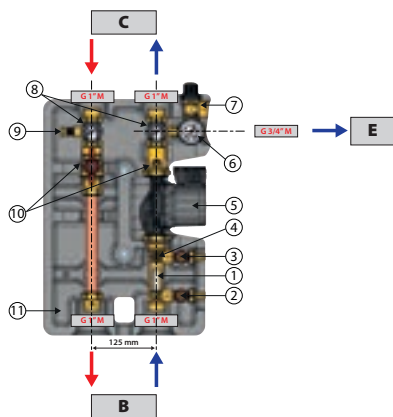
R586SY001



LEYENDA R586SY001

- 1 = Medidor de caudal (mecánico)
- 2 = Grifo de descarga
- 3 = Grifo de descarga
- 4 = Válvula de esfera
- 5 = Bomba circuladora
- 6 = Manómetro
- 7 = Válvula de seguridad
- 8 = Válvula de esfera con termómetro y retención integrada
- 9 = Purgador manual
- 10 = Válvula de esfera

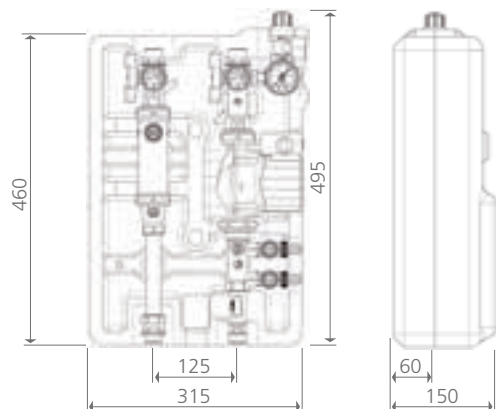
R586SY108



LEYENDA R586SY108

- B = Intercambiador esmaltado con serpentín, acumulador para acumulación de agua caliente
 C = Captador solar
 E = Vaso de expansión
- 1 = Medidor de caudal
 - 2 = Grifo de descarga
 - 3 = Grifo de descarga
 - 4 = Válvula de equilibrado y corte
 - 5 = Bomba circuladora (cable incluido)
 - 6 = Manómetro
 - 7 = Válvula de seguridad, 6bar
 - 8 = Válvula de esfera con termómetro y retención integrada
 - 9 = Purgador manual
 - 10 = Válvula de esfera
 - 11 = Aislamiento en PPE

DIMENSIONES



Dimensiones en mm



Grupo de circulación preensamblado a dos vías para instalación solar térmica.

Fluidos compatibles: agua o solución glicolada (máximo 50% glicol).

Formado por:

- Circulador solar conforme a directiva ErP 2009/125/CE, conector mox incluido.
- Grupo de seguridad con: válvula de seguridad R140C tarada a 6bar y descarga 3/4"H (conforme a directiva "PED" 97/23/EC - cat.IV), manómetro (escala 0÷10bar) y conexión 3/4"M para conexión de vaso de expansión solar.
- Grupo de llenado con dos grifos de carga/descarga (con toma de manguera Ø15) y válvula reguladora de caudal.
- Medidor de caudal mecánico: 2÷12l/min para R586SY001 y de 9÷28l/min para R586SY108.
- Grupo desaireador con válvula de descarga manual (excepto R586SY102).
- Termómetro en impulsión y retorno (escala 0÷180°C).
- Válvula de esfera con retención integrada.
- Coquilla de aislamiento en PPE con troquelado para inserción de centralita KTD.
- Placa posterior en acero para fijación sobre acumulador o sobre pared.

Conexión a circuito solar y circuito de acumulador: 3/4"M, separación 125mm.

Dimensiones (AxLxP): 315 x 495 x 150mm.

Peso en vacío: 7,5Kg.

Alimentación 230Vac para circulador y centralita.

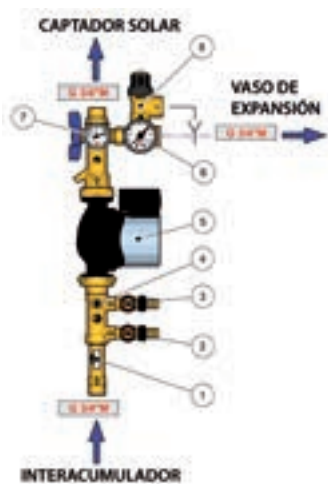
Temperatura máxima de trabajo 110°C a temperatura ambiente inferior a 55°C.

Presión nominal 10bar.

Rango de temperatura de la válvula de seguridad 5÷160°C (-20÷160°C únicamente con solución glicolada al 50%).

R586S-0

CÓDIGO	MEDIDA	€/ud	□	▣
R586S002	3/4"	398,25	1	-



LEGENDA

- 1 = Medidor de caudal
- 2 = Grifo de descarga
- 3 = Grifo de descarga
- 4 = Válvula de esfera
- 5 = Bomba circuladora (cable incluido)
- 6 = Manómetro
- 7 = Válvula de esfera con termómetro y retención integrada
- 8 = Purgador manual



Grupo de circulación preensamblado monovía para instalación solar térmica.

Fluidos compatibles: agua o solución glicolada (máximo 50% glicol).

Formado por:

- Circulador solar conforme a directiva ErP 2009/125/CE, conector molex incluido.
- Grupo de seguridad con: válvula de seguridad R140C tarada a 6bar y descarga 3/4"H (conforme a directiva "PED" 97/23/EC - cat.IV), manómetro (escala 0÷10bar) y conexión 3/4"M para conexión de vaso de expansión solar.
- Grupo de llenado con dos grifos de carga/descarga (con toma de manguera Ø15) y válvula reguladora de caudal.
- Medidor de caudal mecánico: 2÷12l/min.
- Termómetro en impulsión y retorno (escala 0÷180°C).
- Válvula de esfera con retención integrada.
- Coquilla de aislamiento en PPE.
- Placa posterior en acero para fijación sobre acumulador o sobre pared.

Conexión a circuito solar y circuito de acumulador: 3/4"M.

Dimensiones (AxLxP): 190 x 495 x 150mm.

Peso en vacío: 5,0Kg.

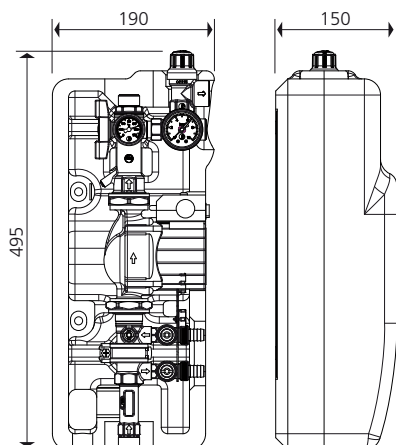
Alimentación 230Vac para circulador y centralita.

Temperatura máxima de trabajo 110°C a temperatura ambiente inferior a 55°C.

Presión nominal 10bar.

Rango de temperatura de la válvula de seguridad 5÷160°C (-20÷160°C únicamente con solución glicolada al 50%).

DIMENSIONES



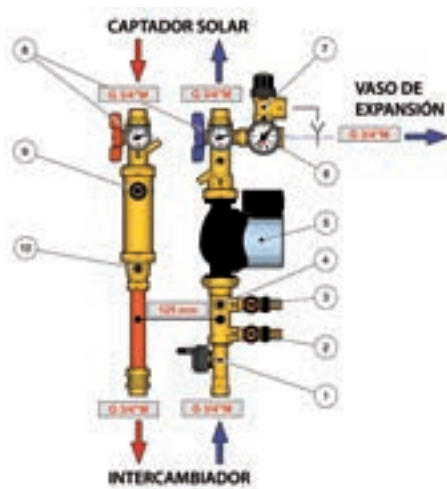
Dimensiones en mm

Campo solar térmico en fachada



R586S-1

CÓDIGO	MEDIDA	€/ud	□	▣
R586SY011	3/4"	1.104,20	1	-

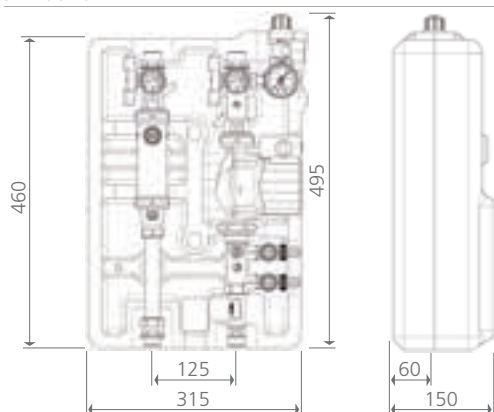


LEGENDA

- 1 = Medidor de caudal (mecánico)
- 2 = Grifo de descarga
- 3 = Grifo de descarga
- 4 = Válvula de esfera
- 5 = Bomba circuladora (cable incluido)
- 6 = Manómetro
- 7 = Válvula de seguridad
- 8 = Válvula de esfera con termómetro y retención integrada
- 9 = Purgador manual
- 10 = Válvula de esfera



DIMENSIONES



Dimensiones en mm

KTD

CÓDIGO	MEDIDA	€/ud	□	▣
KTD3Y003	3 sondas	377,40	1	-
KTD5Y006	6 sondas	635,70	1	-
KTDPY001	protección sobretensiones	28,75	1	-
KTDSY001	sonda Pt1000 (180°C)	23,20	1	-



KTDP

KTDS



Centralita diferencial para programación y control del funcionamiento de la instalación solar térmica. Utilizar en combinación con el grupo de circulación serie R586S y R586S-0.

Pantalla retroiluminada.

Disponibles con 3 o 6 entradas para sondas de temperatura (sondas de temperatura Pt1000 incluidas).

Con 1 salida para control del circulador electrónico y 1 o 2 salidas para control de circulador (paro/marcha) o válvula motorizada (apertura/cierre).

Disponibilidad de varios programas residentes en memoria para diversas configuraciones de la instalación.

Dimensiones (L x A x P): 110 x 163 x 52 mm.

Alimentación eléctrica 230 V.

Grado de protección IP40, clase de protección II.

NOTAS

RECAMBIOS:

KTDPY001 - Protección sobretensión

KTDSY001 - sonda Pt1000 (180°C)

Para evaluar todas las prestaciones de control de la centralita, consultar la documentación técnica específica.

P586S

MMEDIDOR DE CAUDAL PARA R586S 2-12 l/min.

CÓDIGO	MEDIDA	€/ud	CL		
P586SY001	-	17,40	FR	1	50

GRUPO FLUXÓMETRO MÁS SENSOR PARA R586S

CÓDIGO	MEDIDA	€/ud	CL		
P586SY002	-	150,75	FR	1	10

CUERPO VÁLVULA R586S 1/2" (3/4"F) CARGA DE INSTALACIÓN

CÓDIGO	MEDIDA	€/ud	CL		
P586SY003	-	40,7	FR	1	20

BOMBA CIRCULADORA

CÓDIGO	MEDIDA	€/ud	CL		
P76WIY113	-	Consultar	Z	1	10

VÁLVULA DE RETENCIÓN PARA R586S 3/4"

CÓDIGO	MEDIDA	€/ud	CL		
P586SY004	-	57,80	FR	1	20

VÁLVULA DE IMPULSIÓN PARA R586S 3/4"

CÓDIGO	MEDIDA	€/ud	CL		
P586SY005	-	52,70	FR	1	20

RACOR DE SEGURIDAD R586S 1/2" M X 3/4" M

CÓDIGO	MEDIDA	€/ud	CL		
P586SY006	-	48,60	FR	1	20

GRUPO DESAIREADOR R586S 1 1/2" X 1/2"

CÓDIGO	MEDIDA	€/ud	CL		
P586SY007	-	29,65	FR	1	20

CUERPO R252 1 1/2" X GB22 (PER SOLARE)

CÓDIGO	MEDIDA	€/ud	CL		
P586SY008	-	12,30	FR	1	20

VÁLVULA DE LLENADO DE LA INSTALACIÓN ESCALA: 3÷12 L/MIN

CÓDIGO	MEDIDA	€/ud	CL		
P586SY009	-	51,05	FR	1	20

VÁLVULA DE LLENADO DE LA INSTALACIÓN ESCALA: 9÷28 L/MIN

CÓDIGO	MEDIDA	€/ud	CL		
P586SY010	-	52,30	FR	1	20

Recambios para grupo de circulación solar.



P586S-3

CÓDIGO	MEDIDA	€/ud		
P586SY030	-	99,60	1	-



Kit de conexión para grupo de circulación solar. Para conexión de acumulador (impulsión y retorno del circuito solar) y vaso de expansión.

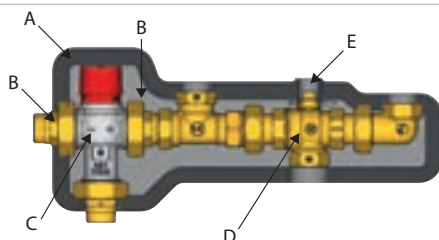
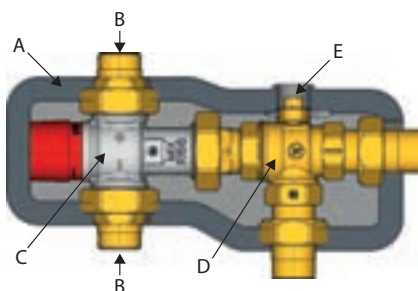
Contiene:

- Dos secciones de tubo corrugado y abocardado de 3/4", largo 90cm, con tuerca. Juntas y aislamiento incluido.
- Una sección de tubo corrugado y abocardado de 3/4", largo 50cm, con tuerca. Juntas y aislamiento incluido.
- Dos racores R189 de 3/4".

GS550

CÓDIGO	MEDIDA	€/ud	□	⊞
GS550Y001	3/4"	257,00	1	-
GS550Y002	3/4"	295,10	1	-

COMPOSICIÓN DEL GRUPO GS550Y001 (arriba) e GS550Y002 (abajo)



LEYENDA

A = Aislamiento en PE expandido reticulado
 B = Enlace con válvula de retención y filtro
 C = Mezclador termostático
 D = Válvula desviadora
 E = Conexión actuador válvula desviadora

GS550Y001



GS550Y002



Grupo de control para producción de agua caliente sanitaria en instalaciones solar térmicas. Conexión rápida a generador de calor (modulante o no modulante), al acumulador solar y al circuito de distribución del agua caliente sanitaria para uso final.

El grupo incluye:

Mezclador termostático, válvula desviadora motorizable (actuador no incluido), válvula de retención y filtro. Aislamiento en polietileno expandido reticulado.

Temperatura máxima de trabajo 90°C.

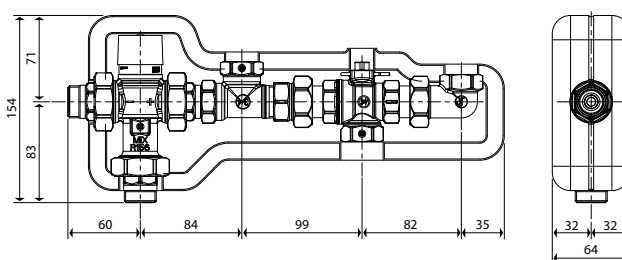
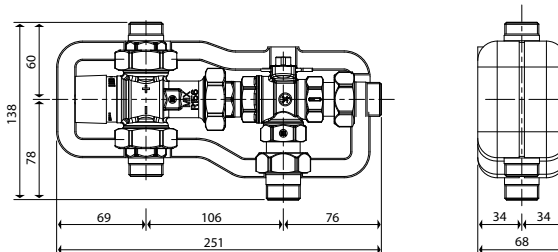
Presión máxima de trabajo 10bar.

NOTAS

GS550Y001: Para caldera no modulante.

GS550Y002: Para caldera modulante.

DIMENSIONES GS550Y001 (arriba) e GS550Y002 (abajo)



Dimensiones en mm

R140C

CÓDIGO	MEDIDA	€/ud	□	⊞
R140CY006	1/2" x 3/4" - 4bar	18,15	1	30
R140CY009	1/2" x 3/4" - 6bar	14,80	1	30

Válvula de seguridad compacta a membrana para control de presión en instalación solar térmica. Conexión hembra-hembra.

Fluidos compatibles: agua caliente, agua+glicol (máx.50%).

Rango de temperatura 5÷160°C (-20÷160°C solo con solución glicolada al 50%).

Presión nominal 10bar.

Sobrepresión apertura 20%.

Presión de cierre 20%.

Conforme a la directiva "PED" 97/23/CE (cat. IV).

Tarado de fábrica:

4bar (capuchón verde)

6bar (capuchón amarillo)



CERTIFICACIONES



R140PT-1

CÓDIGO	MEDIDA	€/ud	□	⊞
R140PX028	1/2" x 15	62,75	1	-
R140PX038	3/4" x 22	71,70	1	-

Válvula de seguridad combinada de temperatura y presión, para instalaciones solares térmicas. Dispone de marcado CE según directiva 97/23/CE.

Conexión roscada macho con racor a bicono para tubo de cobre.

Tarado de temperatura 100°C.

Tarado de presión 10bar.

Presión nominal 10bar.

Fluidos compatibles: agua.



CERTIFICACIONES



VES

CÓDIGO	MEDIDA	€/ud	☐	☒
VESY001	8 l	49,40	1	-
VESY002	18 l	88,70	1	-
VESY003	24 l	75,15	1	-
VESY004	35 l	147,05	1	-
VESY005	50 l	243,75	1	-
VESY006	80 l	288,05	1	-
VESY007	100 l	552,20	1	-
VESY008	150 l	566,00	1	-
VESY009	200 l	666,30	1	-
VESY010	300 l	904,25	1	-



Vaso de expansión a membrana fija, para instalaciones solares térmicas. Cuerpo en acero con acabado blanco exterior.
Membrana en goma SBR.
Tratamiento interno anticorrosivo.
Conexión entrada fluido por la parte superior, de 3/4" o 1" según modelo.
Rango de temperatura -10÷110°C.
Temperatura máxima de trabajo 130°C (máx. 2 horas).
Presión de precarga 3 bar.
Máxima presión de trabajo 8 o 10bar (según modelo).

CÓDIGO	CAPACIDAD [l]	PRESIÓN max [bar]	T max [°C]	De [mm]	H [mm]	CONEXIÓN
VESY001	8	8	110	205	300	G 3/4"
VESY002	18	8	110	270	410	G 3/4"
VESY003	24	8	110	320	355	G 3/4"
VESY004	35	10	110	400	390	G 3/4"

CARACTERÍSTICAS PRINCIPALES

Cuerpo de acero
Tuerca superior (lado del agua) con tratamiento anticorrosivo interno
Pintura de color blanco utilizando polvo epoxi
Entrada del agua por la parte superior
Membrana de goma SBR (Styrene-Butadiene Rubber)
Declaración de cumplimiento de los requisitos de seguridad de acuerdo con la Directiva Europea 97/23 / CE (PED)

CON PIÉ

CÓDIGO	CAPACIDAD [l]	PRESIÓN max [bar]	T max [°C]	De [mm]	H [mm]	CONEXIÓN
VESY005	50	10	110	400	570	G 1"
VESY006	80	10	110	400	840	G 1"
VESY007	100	10	110	500	795	G 1"
VESY008	150	10	110	500	1025	G 1"
VESY009	200	10	110	600	1100	G 1"
VESY010	300	10	110	650	1265	G 1"

DATOS TÉCNICOS

Temperatura de trabajo da -10 a +110°C
Temperatura máxima +130°C (max 2 horas)
Presión de precarga 3 bar
Presión de trabajo ver tabla

VES-2

CÓDIGO	MEDIDA	€/ud	☐	☒
VESY020	8 a 35 l	108,45	1	-

Soporte de pared para vaso de expansión.
Dispone de doble válvula de retención para desmontaje rápido.
Juntas incluidas.



R182

CÓDIGO	MEDIDA	€/ud	☐	☒
R182Y006	3/4"x3/4"x3/4"	9,40	1	50

Racor en Te, para el montaje del purgador automático R99S sobre captador solar.



K377

CÓDIGO	MEDIDA	€/ud	☐	☒
K377Y001	5 l	85,05	1	-
K377Y002	10 l	160,95	1	-

Glicol propilénico antihielo, anticorrosivo y biodegradable, para instalación solar térmica.
Solución concentrada para diluir en agua.



P50

CÓDIGO	MEDIDA	€/ud	☐	☒
P50Y003	3/4"x1/2"	4,15	1	-

Kit de racors para aumento de conexión en grifos de carga/descarga en grupos de circulación solar (excluido el R586SY108).



R99S

CÓDIGO	MEDIDA	€/ud	☐	☒
R99SY003	1/2"	38,25	1	-
R99SY013	1/2"	30,25	1	-



Purgador automático de altas prestaciones. Ideal para instalación solar térmica.
Disponibile con o sin válvula de interceptación.
Válido para uso con agua y solución glicolada (máximo 50%).
Rango de temperatura -20÷180°C.
Presión máxima de trabajo 10bar.
Presión máxima de trabajo para purga 5bar.

NOTAS

R99SY003: Con válvula de esfera
R99SY013: Sin válvula de esfera

310

CÓDIGO	MEDIDA	€/ud	□	⊞
310Y004	15x15	3,45	25	250
310Y010	18x18	4,90	10	100
310Y006	22x22	5,65	10	100
310Y007	28x28	7,10	10	100

Manguito recto con adaptadores de tubo de cobre para instalación solar térmica.
Conforme a la norma EN 1254-2.
Campo de temperatura -20÷200 °C.
Presión máxima de trabajo 10 bar.

**311**

CÓDIGO	MEDIDA	€/ud	□	⊞
311Y001	1/2" x15	2,80	25	250
311Y010	1/2" x18	3,75	20	200
311Y011	3/4" x18	4,00	20	200
311Y003	3/4" x22	3,90	10	100
311Y005	1" x28	5,65	10	100

Rácor recto macho con adaptador de tubo de cobre para instalación solar térmica.
Conforme a la norma EN 1254-2.
Campo de temperatura -20÷200 °C.
Presión máxima de trabajo 10 bar.

**312**

CÓDIGO	MEDIDA	€/ud	□	⊞
312Y001	1/2" x15	3,00	25	250
312Y010	1/2" x18	4,05	20	200
312Y011	3/4" x18	4,60	10	100
312Y003	3/4" x22	4,60	10	100
312Y005	1" x28	6,00	10	100

Rácor recto hembra con adaptador de tubo de cobre para instalación solar térmica.
Conforme a la norma EN 1254-2.
Campo de temperatura -20÷200 °C.
Presión máxima de trabajo 10 bar.

**315**

CÓDIGO	MEDIDA	€/ud	□	⊞
315Y001	15x15	3,70	25	250
315Y010	18x18	5,00	10	100
315Y003	22x22	5,65	10	100
315Y004	28x28	8,35	5	50

Codo 90° con adaptadores de tubo de cobre para instalación solar térmica.
Conforme a la norma EN 1254-2.
Campo de temperatura -20÷200 °C.
Presión máxima de trabajo 10 bar.

**317**

CÓDIGO	MEDIDA	€/ud	□	⊞
317Y001	1/2" x15	3,80	25	250
317Y002	3/4" x22	4,95	10	100

Rácor curvo hembra con adaptador de tubo de cobre para instalación solar térmica.
Conforme a la norma EN 1254-2.
Campo de temperatura -20÷200 °C.
Presión máxima de trabajo 10 bar.

**318**

CÓDIGO	MEDIDA	€/ud	□	⊞
318Y001	15x15x15	4,75	10	100
318Y010	18x18x18	6,75	10	100
318Y006	22x22x22	7,50	5	50
318Y014	28x28x28	11,30	5	50

Te con adaptadores de tubo de cobre para instalación solar térmica.
Conforme a la norma EN 1254-2.
Campo de temperatura -20÷200 °C.
Presión máxima de trabajo 10 bar.

**334**

CÓDIGO	MEDIDA	€/ud	□	⊞
334X001	22x3/4" x22	7,70	1	-

Te con adaptadores de tubo de cobre para instalación solar térmica y conexión central macho.
Conforme a la norma EN 1254-2.
Campo de temperatura -20÷200 °C.
Presión máxima de trabajo 10 bar.



A piece of life.

NUEVO DESFANGADOR R146C

FACILITA TU TRABAJO,
ALARGA LA VIDA DE
TU CALDERA



Válvulas y grifos de esfera

> Válvulas de esfera paso estándar	244
> Válvulas de esfera paso integral	248
> Válvulas de esfera para bomba circuladora	250
> Válvulas de esfera para contadores	251
> Accesorios y recambios para válvulas de esfera	252
> Grifos de esfera	253
> Grifos de jardín	256
> Accesorios y recambios para grifos	257



> VÁLVULAS DE ESFERA PASO ESTÁNDAR

R250D

PALANCA ROJA

CÓDIGO	MEDIDA	€/ud	☐	☒
R250X001	1/4"	6,00	20	200
R250X002	3/8"	5,95	10	100
R250X003	1/2"	6,70	10	100
R250X004	3/4"	9,75	5	50
R250X005	1"	14,70	5	25
R250X006	1" 1/4	21,20	4	20
R250X007	1" 1/2	30,60	2	10
R250X008	2"	46,50	2	10
R250X009	2" 1/2	103,95	2	6
R250X010	3"	148,75	2	4
R250X011	4"	301,20	1	2

PALANCA AMARILLA

CÓDIGO	MEDIDA	€/ud	☐	☒
R250X021	1/4"	5,90	20	200
R250X022	3/8"	5,95	10	100
R250X023	1/2"	6,70	10	100
R250X024	3/4"	10,80	5	50
R250X025	1"	14,55	5	25
R250X026	1" 1/4	21,20	4	20
R250X027	1" 1/2	31,25	2	10
R250X028	2"	46,65	2	10
R250X029	2" 1/2	103,95	2	6
R250X030	3"	148,75	2	4
R250X031	4"	291,65	1	2



Válvula de esfera cromada con conexión hembra-hembra. Accionamiento por palanca (roja para agua y amarilla para gas e hidrocarburos líquidos). Paso estándar. Rango de temperatura -20 ÷ 185 °C.

NOTAS

Verificar la aplicación real de la válvula y las certificaciones de la misma consultando la documentación técnica específica.

R251D

PALOMILLA ROJA

CÓDIGO	MEDIDA	€/ud	☐	☒
R251X001	1/4"	4,60	20	200
R251X002	3/8"	6,55	10	100
R251X003	1/2"	7,40	10	100
R251X004	3/4"	10,40	5	50
R251X005	1"	15,00	5	25
R251X006	1" 1/4	21,45	5	25

PALOMILLA AMARILLA

CÓDIGO	MEDIDA	€/ud	☐	☒
R251X021	1/4"	6,00	20	200
R251X022	3/8"	6,55	10	100
R251X023	1/2"	7,40	10	100
R251X024	3/4"	10,35	5	50
R251X025	1"	14,85	5	25
R251X026	1" 1/4	21,45	5	25



Válvula de esfera cromada con conexión hembra-hembra. Accionamiento por palomilla (roja para agua y amarilla para gas e hidrocarburos líquidos). Paso estándar. Rango de temperatura -20 ÷ 185 °C.

NOTAS

Verificar la aplicación real de la válvula y las certificaciones de la misma consultando la documentación técnica específica.

R251TH

CÓDIGO	MEDIDA	€/ud	☐	☒
R251X052	3/8"	8,40	10	100
R251X053	1/2"	9,20	10	100
R251X054	3/4"	13,05	5	50
R251X055	1"	19,95	5	25
R251X056	1" 1/4	26,95	4	20
R251X057	1" 1/2	39,40	4	20
R251X058	2"	58,20	2	10



Válvula de esfera cromada con conexión hembra-hembra. Accionamiento por palomilla elevada en plástico para tubería con aislamiento. Paso estándar. Válida para instalaciones hidráulicas. Rango de temperatura -20 ÷ 185 °C.

R540F

CÓDIGO	MEDIDA	€/ud	☐	☒
R540FY002	Rojo	6,65	6	288
R540FY022	Azul	6,65	6	288



Termómetro de contacto para maneta R749F. Combinar con válvulas de esfera R851TH y R251TH (de 3/8" a 1 1/4"). Escala de 0 ÷ 120 °C. Ø40mm.

R251T

ACABADO CROMADO

CÓDIGO	MEDIDA	€/ud	□	⊞
R251TX004	3/4" - palomilla roja*	18,05	5	50
R251TX005	1" - palomilla roja*	26,15	5	25

ACABADO LATÓN

CÓDIGO	MEDIDA	€/ud	□	⊞
R251TY005	1" - palomilla roja*	26,15	5	25
R251TY025	1" - palomilla azul*	26,15	5	25



Válvula de esfera cromada con conexión hembra-hembra. Accionamiento por palomilla. Conexión portasonda hembra M10x1, para sonda de máximo 6mm. Paso estándar. Válida para instalaciones hidráulicas.

Rango de temperatura -20 ÷ 120 °C.

NOTAS

Para versión no cromada: disponible con palomilla roja o azul.

Verificar la aplicación real de la válvula y las certificaciones de la misma consultando la documentación técnica específica.

INFORMACION

* Disponible hasta fin de existencias

R250DS

CÓDIGO	MEDIDA	€/ud	□	⊞
R250SX003	1/2"	12,15	5	50
R250SX004	3/4"	15,05	5	50
R250SX005	1"	21,25	5	25
R250SX006	1" 1/4	28,85	4	20
R250SX007	1" 1/2	37,55	2	10
R250SX008	2"	58,10	2	10



Válvula de esfera cromada con conexión hembra-hembra con grifo de descarga. Accionamiento por palanca roja. Paso estándar. Válida para instalaciones hidráulicas.

Rango de temperatura -20 ÷ 120 °C.

NOTAS

Verificar la aplicación real de la válvula y las certificaciones de la misma consultando la documentación técnica específica.

R251DS

CÓDIGO	MEDIDA	€/ud	□	⊞
R251SX003	1/2"	12,80	5	50
R251SX004	3/4"	15,05	5	50
R251SX005	1"	20,50	5	25



Válvula de esfera cromada con conexión hembra-hembra con grifo de descarga. Accionamiento por palomilla roja. Paso estándar. Válida para instalaciones hidráulicas.

Rango de temperatura -20 ÷ 120 °C.

NOTAS

Verificar la aplicación real de la válvula y las certificaciones de la misma consultando la documentación técnica específica.

R253DL

PALANCA ROJA

CÓDIGO	MEDIDA	€/ud	□	⊞
R253LX002	3/8"	7,00	10	100
R253LX003	1/2"	8,35	10	100
R253LX004	3/4"	11,30	5	50
R253LX005	1"	15,75	2	20
R253LX006	1" 1/4	23,55	2	20

PALANCA AMARILLA

CÓDIGO	MEDIDA	€/ud	□	⊞
R253LX022	3/8"	7,30	10	100
R253LX023	1/2"	8,35	10	100
R253LX024	3/4"	11,30	5	50
R253LX025	1"	15,80	2	20
R253LX026	1" 1/4	23,55	2	20



Válvula de esfera cromada con conexión macho-macho. Accionamiento por palanca (roja para agua y amarilla para gas e hidrocarburos líquidos). Paso estándar.

Rango de temperatura -20 ÷ 185 °C.

NOTAS

Verificar la aplicación real de la válvula y las certificaciones de la misma consultando la documentación técnica específica.

R253D

PALOMILLA ROJA

CÓDIGO	MEDIDA	€/ud	□	⊞
R253X002	3/8"	7,30	10	100
R253X003	1/2"	8,35	10	100
R253X004	3/4"	11,30	5	50
R253X005	1"	15,85	5	50
R253X006	1" 1/4	23,60	4	20

PALOMILLA AMARILLA

CÓDIGO	MEDIDA	€/ud	□	⊞
R253X022	3/8"	7,30	10	100
R253X023	1/2"	8,35	10	100
R253X024	3/4"	11,30	5	50
R253X025	1"	15,85	5	50
R253X026	1" 1/4	23,60	4	20



Válvula de esfera cromada con conexión macho-macho. Accionamiento por palomilla (roja para agua y amarilla para gas e hidrocarburos líquidos). Paso estándar. Rango de temperatura -20 ÷ 185 °C.

NOTAS

Verificar la aplicación real de la válvula y las certificaciones de la misma consultando la documentación técnica específica.

R254DL

PALANCA ROJA

CÓDIGO	MEDIDA	€/ud	□	⊞
R254LX001	1/4"	7,30	20	200
R254LX002	3/8"	7,30	10	100
R254LX003	1/2"	8,35	10	100
R254LX004	3/4"	11,10	5	50
R254LX005	1"	16,30	2	20
R254LX006	1" 1/4	23,20	2	20
R254LX007	1" 1/2	33,45	2	10
R254LX008	2"	52,90	2	10

PALANCA AMARILLA

CÓDIGO	MEDIDA	€/ud	□	⊞
R254LX021	1/4"	7,30	20	200
R254LX022	3/8"	7,30	10	100
R254LX023	1/2"	8,05	10	100
R254LX024	3/4"	11,30	5	50
R254LX025	1"	15,85	2	20
R254LX026	1" 1/4	23,60	2	20
R254LX027	1" 1/2	33,95	2	10
R254LX028	2"	53,25	2	10



Válvula de esfera cromada con conexión hembra-macho. Accionamiento por palanca (roja para agua y amarilla para gas e hidrocarburos líquidos). Paso estándar. Rango de temperatura -20 ÷ 185 °C.

NOTAS

Verificar la aplicación real de la válvula y las certificaciones de la misma consultando la documentación técnica específica.

R254D

PALOMILLA ROJA

CÓDIGO	MEDIDA	€/ud	□	⊞
R254X001	1/4"	7,30	20	200
R254X002	3/8"	7,30	10	100
R254X003	1/2"	8,35	10	100
R254X004	3/4"	11,30	5	50
R254X005	1"	16,10	5	50
R254X006	1" 1/4	23,25	4	20

PALOMILLA AMARILLA

CÓDIGO	MEDIDA	€/ud	□	⊞
R254X021	1/4"	7,30	20	200
R254X022	3/8"	7,05	10	100
R254X023	1/2"	8,05	10	100
R254X024	3/4"	11,30	5	50
R254X025	1"	16,15	5	50
R254X026	1" 1/4	23,55	4	20



Válvula de esfera cromada con conexión hembra-macho. Accionamiento por palomilla (roja para agua y amarilla para gas e hidrocarburos líquidos). Paso estándar. Rango de temperatura -20 ÷ 185 °C.

NOTAS

Verificar la aplicación real de la válvula y las certificaciones de la misma consultando la documentación técnica específica.

R259D

ACABADO CROMADO

CÓDIGO	MEDIDA	€/ud	□	⊞
R259X003	1/2"x1/2" - Palomilla roja	10,55	1	50
R259X004	1/2"x3/4" - Palomilla roja	13,00	1	50
R259X005	3/4"x3/4" - Palomilla roja	15,20	1	20
R259X006	3/4"x1" - Palomilla roja	17,00	1	20
R259X007	1"x1" - Palomilla roja	22,55	1	20
R259X008	1"x1 1/4" - Palomilla roja	23,85	1	20
R259X009	1 1/4"x1 1/4" - Palomilla roja	30,20	1	20

ACABADO LATÓN

CÓDIGO	MEDIDA	€/ud	□	⊞
R259Y005	3/4"x3/4" - Palomilla roja	14,70	1	20
R259Y007	1"x1" - Palomilla roja	21,90	1	20
R259Y009	1 1/4"x1 1/4" - Palomilla roja	29,00	1	20
R259Y025	3/4"x3/4" - Palomilla azul	14,75	1	20
R259Y027	1"x1" - Palomilla azul	21,90	1	20
R259Y029	1 1/4"x1 1/4" - Palomilla azul	29,20	1	20



Válvula de esfera cromada con conexión hembra-macho, con enlace. Accionamiento por palomilla (azul o roja). Paso estándar. Válida para instalaciones hidráulicas. Rango de temperatura -20 ÷ 185 °C.

NOTAS

Para versión no cromada: disponible con palomilla roja o azul.

Verificar la aplicación real de la válvula y las certificaciones de la misma consultando la documentación técnica específica.

R259DS

CÓDIGO	MEDIDA	€/ud	□	⊞
R259SX003	1/2" x 1/2"	16,35	25	50
R259SX004	1/2" x 3/4"	18,75	25	50
R259SX005	3/4" x 3/4"	20,60	10	20
R259SX006	3/4" x 1"	21,95	10	20
R259SX007	1" x 1"	26,00	10	20
R259SX008	1" x 1" 1/4	29,30	10	20
R259SX009	1 1/4 x 1 1/4	40,70	10	20



Válvula de esfera cromada con conexión hembra-macho, con enlace. Grifo de descarga. Accionamiento por palomilla roja. Paso estándar. Válida para instalaciones hidráulicas. Rango de temperatura -20 ÷ 120 °C.

NOTAS

Verificar la aplicación real de la válvula y las certificaciones de la misma consultando la documentación técnica específica.

R258CC

CÓDIGO	MEDIDA	€/ud	□	⊞
R258CX002	15	8,85	5	50
R258CX005	22	13,55	5	50
R258CX006	28	19,60	6	30



Válvula de esfera cromada con adaptadores para tubo de cobre. Accionamiento por palanca roja. Paso estándar. Válida para instalaciones hidráulicas. Rango de temperatura -20 ÷ 185 °C.

NOTAS

Verificar la aplicación real de la válvula y las certificaciones de la misma consultando la documentación técnica específica.

R258D

CÓDIGO	MEDIDA	€/ud	□	⊞
R258Y002	Ø15	9,85	10	100
R258Y004	Ø18	13,70	10	100
R258Y005	Ø22	14,90	6	60
R258Y006	Ø28	20,50	6	30
R258Y007	Ø35	29,25	4	20



Válvula de esfera con conexiones para soldar. Accionamiento por palanca roja. Paso estándar. Rango de temperatura -20 ÷ 185 °C.

R690

CÓDIGO	MEDIDA	€/ud	□	⊞
R690X002	3/8"	4,05	1	50
R690X003	1/2"	5,15	1	50



Válvula de esfera mini cromada con conexión hembra-hembra. Accionamiento por palanca en plástico con identificador de color (rojo, azul y verde).

Uso para instalaciones hidráulicas
Rango de temperatura -20 ÷ 90 °C.

NOTAS

Verificar la aplicación real de la válvula y las certificaciones de la misma consultando la documentación técnica específica.

R694

CÓDIGO	MEDIDA	€/ud	□	⊞
R694X002	3/8"	4,05	1	50
R694X003	1/2"	5,15	1	50



Válvula de esfera mini cromada con conexión macho-hembra. Accionamiento por palanca en plástico con identificador de color (rojo, azul y verde).

Uso para instalaciones hidráulicas
Rango de temperatura -20 ÷ 90 °C.

NOTAS

Verificar la aplicación real de la válvula y las certificaciones de la misma consultando la documentación técnica específica.

> VÁLVULAS DE ESFERA PASO INTEGRAL

R850

PALANCA ROJA

CÓDIGO	MEDIDA	€/ud	☐	☒
R850X021	1/4"	5,65	20	200
R850X022	3/8"	6,30	10	100
R850X023	1/2"	7,10	10	100
R850X024	3/4"	9,95	5	50
R850X025	1"	13,40	5	25
R850X026	1" 1/4	18,90	4	20
R850X027	1" 1/2	31,15	4	20
R850X028	2"	47,65	2	10

PALANCA AMARILLA

CÓDIGO	MEDIDA	€/ud	☐	☒
R850X001	1/4"	5,95	20	200
R850X002	3/8"	6,55	10	100
R850X003	1/2"	7,10	10	100
R850X004	3/4"	9,95	5	50
R850X005	1"	13,55	5	25
R850X006	1" 1/4	19,35	4	20
R850X007	1" 1/2	31,55	4	20
R850X008	2"	47,70	2	10



Válvula de esfera cromada con conexión hembra-hembra. Accionamiento por palanca (roja para agua y amarilla para gas e hidrocarburos líquidos). Paso integral. Rango de temperatura -20 ÷ 185 °C.

NOTAS

Verificar la aplicación real de la válvula y las certificaciones de la misma consultando la documentación técnica específica.

R851

PALOMILLA ROJA

CÓDIGO	MEDIDA	€/ud	☐	☒
R851X021	1/4"	5,95	20	200
R851X022	3/8"	6,55	10	100
R851X023	1/2"	7,10	10	100
R851X024	3/4"	9,95	5	50
R851X025	1"	13,55	5	50
R851X026	1" 1/4	19,35	5	25

PALOMILLA AMARILLA

CÓDIGO	MEDIDA	€/ud	☐	☒
R851X001	1/4"	5,95	20	200
R851X002	3/8"	6,55	10	100
R851X003	1/2"	7,10	10	100
R851X004	3/4"	9,95	5	50
R851X005	1"	15,95	5	50
R851X006	1" 1/4	22,70	5	25



Válvula de esfera cromada con conexión hembra-hembra. Accionamiento por palomilla (roja para agua y amarilla para gas e hidrocarburos líquidos). Paso integral. Rango de temperatura -20 ÷ 185 °C.

NOTAS

Verificar la aplicación real de la válvula y las certificaciones de la misma consultando la documentación técnica específica.

R851TH

CÓDIGO	MEDIDA	€/ud	☐	☒
R851TX002	3/8"	8,15	1	50
R851TX003	1/2"	8,80	1	50
R851TX004	3/4"	11,75	1	50
R851TX005	1"	16,15	1	40
R851TX006	1" 1/4	21,85	1	20
R851TX007	1" 1/2	34,65	1	20
R851TX008	2"	49,45	1	10



Válvula de esfera cromada con conexión hembra-hembra. Accionamiento por palomilla elevada en plástico para tubería con aislamiento. Paso integral. Válida para instalaciones hidráulicas. Rango de temperatura -20 ÷ 110 °C.

NOTAS

Verificar la aplicación real de la válvula y las certificaciones de la misma consultando la documentación técnica específica.

R540F

CÓDIGO	MEDIDA	€/ud	☐	☒
R540FY002	Rojo	6,65	6	288
R540FY022	Azul	6,65	6	288



Termómetro de contacto para maneta R749F. Combinar con válvulas de esfera R851TH y R251TH (de 3/8" a 1 1/4"). Escala de 0 ÷ 120 °C. Ø40mm.

R851T

CÓDIGO	MEDIDA	€/ud	□	⊞
R851TY103	1/2"	14,60	10	100
R851TY104	3/4"	16,45	5	50
R851TY105	1"	26,20	5	25



Válvula de esfera con conexión hembra-hembra. Accionamiento por palomilla. Conexión portasonda hembra M10x1, para sonda de máximo 6mm. Paso integral. Válida para instalaciones hidráulicas. Rango de temperatura -20 ÷ 120 °C.

NOTAS

Verificar la aplicación real de la válvula y las certificaciones de la misma consultando la documentación técnica específica.

R854L

PALANCA ROJA

CÓDIGO	MEDIDA	€/ud	□	⊞
R854LX023	1/2"	8,45	1	50
R854LX024	3/4"	11,45	1	50
R854LX025	1"	17,40	1	20
R854LX026	1 1/4"	26,20	1	20
R854LX027	1 1/2"	50,55	1	20
R854LX028	2"	72,40	1	10

PALANCA AMARILLA

CÓDIGO	MEDIDA	€/ud	□	⊞
R854LX003	1/2"	7,60	1	50
R854LX004	3/4"	11,05	1	50
R854LX005	1"	17,85	1	20
R854LX006	1 1/4"	26,20	1	20
R854LX007	1 1/2"	50,55	1	20
R854LX008	2"	72,40	1	10



Válvula de esfera cromada con conexión hembra-macho. Accionamiento por palanca (roja para agua y amarilla para gas e hidrocarburos líquidos). Paso integral. Rango de temperatura -20 ÷ 185 °C.

NOTAS

Verificar la aplicación real de la válvula y las certificaciones de la misma consultando la documentación técnica específica.

R854

PALANCA ROJA

CÓDIGO	MEDIDA	€/ud	□	⊞
R854X023	1/2"	7,60	1	100
R854X024	3/4"	11,05	1	50
R854X025	1"	17,85	1	25
R854X026	1 1/4"	26,20	1	20

PALANCA AMARILLA

CÓDIGO	MEDIDA	€/ud	□	⊞
R854X003	1/2"	8,50	1	100
R854X004	3/4"	11,05	1	50
R854X005	1"	17,85	1	25
R854X006	1 1/4"	26,20	1	20



Válvula de esfera cromada con conexión hembra-macho. Accionamiento por palomilla (roja para agua y amarilla para gas e hidrocarburos líquidos). Paso integral. Rango de temperatura -20 ÷ 185 °C.

NOTAS

Verificar la aplicación real de la válvula y las certificaciones de la misma consultando la documentación técnica específica.

R859

PALOMILLA ROJA

CÓDIGO	MEDIDA	€/ud	□	⊞
R859X323	1/2"Mx1/2"F	9,95	1	50
R859X325	3/4"Mx3/4"F	15,10	1	25
R859X327	1"Mx1"F	22,75	1	25
R859X329	1 1/4"Mx1 1/4"F	32,15	1	20

PALOMILLA AZUL

CÓDIGO	MEDIDA	€/ud	□	⊞
R859X343	1/2"Mx1/2"F	9,95	1	50
R859X345	3/4"Mx3/4"F	15,10	1	25
R859X347	1"Mx1"F	22,75	1	25
R859X329	1 1/4"Mx1 1/4"F	32,15	1	20



Válvula de esfera niquelada con conexión hembra-macho, con enlace. Accionamiento por palomilla (azul o roja). Paso integral. Válida para instalaciones hidráulicas. Rango de temperatura -20 ÷ 185 °C.

NOTAS

Verificar la aplicación real de la válvula y las certificaciones de la misma consultando la documentación técnica específica.

R789

CÓDIGO	MEDIDA	€/ud	□	⊞
R789X003	1/2"x1/2"	14,55	5	50
R789X005	3/4"x3/4"	21,75	5	25
R789X007	1"x1"	28,85	2	20



Válvula de esfera a escuadra, cromada, con conexión hembra-macho con enlace. Accionamiento por palomilla (azul o roja). Paso integral. Válida para instalaciones hidráulicas. Rango de temperatura -20 ÷ 185 °C.

NOTAS

Verificar la aplicación real de la válvula y las certificaciones de la misma consultando la documentación técnica específica.

> VÁLVULAS DE ESFERA PARA BOMBA CIRCULADORA

R252

CÓDIGO	MEDIDA	€/ud	□	⊞
R252Y001	1 1/2"x1"	10,00	2	50
R252Y002	2"x1 1/4"	17,10	2	20
R252Y003	1 1/2"x22	10,10	1	-
R252Y004	1 1/2"x28	12,70	1	-



Válvula de esfera con tuerca loca, para conexión a bomba circuladora o válvula mezcladora. Junta plana incluida. Accionamiento por destornillador. Rango de temperatura 5 ÷ 110 °C. Presión máxima de trabajo 7bar.

R285L

CÓDIGO	MEDIDA	€/ud	□	⊞
R285LY001	1"x1 1/2"	17,90	4	40
R285LY003	1 1/4"x2"	24,80	4	20

TUERCA

CÓDIGO	MEDIDA	€/ud	□	⊞
P18LY007	1 1/2"	2,05	1	-
P18LY009	2"	3,30	1	-



Válvula de esfera con conexión hembra-asiento plano para conexión a bomba circuladora. Accionamiento por palanca roja elevada para tubería con aislamiento. Válida para instalaciones hidráulicas. Rango de temperatura -20 ÷ 185 °C.

NOTAS

Completar con tuerca loca P18LY007 o P18LY009. Opcional: retención en plástico modelo R288. Verificar la aplicación real de la válvula y las certificaciones de la misma consultando la documentación técnica específica.

R285

CÓDIGO	MEDIDA	€/ud	□	⊞
R285Y001	1"x1 1/2"	18,05	4	40
R285Y002	1 1/4"x1 1/2"	24,55	4	20
R285Y003	1 1/4"x2"	24,70	4	20

TUERCA

CÓDIGO	MEDIDA	€/ud	□	⊞
P18LY007	1 1/2"	2,05	1	-
P18LY009	2"	3,30	1	-



Válvula de esfera con conexión hembra-asiento plano para conexión a bomba circuladora. Accionamiento por palomilla roja elevada para tubería con aislamiento. Válida para instalaciones hidráulicas. Rango de temperatura -20 ÷ 185 °C.

NOTAS

Completar con tuerca loca P18LY007 o P18LY009. Opcional: retención en plástico modelo R288. Verificar la aplicación real de la válvula y las certificaciones de la misma consultando la documentación técnica específica.

> VÁLVULAS DE ESFERA PARA CONTADORES

R251P

CROMADA

CÓDIGO	MEDIDA	€/ud	□	⊞
R251PX003	1/2"H x tuerca 3/4"H	10,35	5	50
R251PX004	3/4"H x tuerca 3/4"H	10,90	5	50
R251PX005	3/4"H x tuerca 1"H	14,85	5	50
R251PX006	1"H x tuerca 1"H	18,80	5	25

NO CROMADA

CÓDIGO	MEDIDA	€/ud	□	⊞
R251PY003	1/2"H x tuerca 3/4"H	10,10	5	50
R251PY004	3/4"H x tuerca 3/4"H	12,05	5	50
R251PY005	3/4"H x tuerca 1"H	13,20	5	50
R251PY006	1"H x tuerca 1"H	17,60	5	25



Válvula de esfera cromada con conexión hembra-hembra con tuerca y junta plana, específica para contadores. Accionamiento por palomilla roja. Válida para instalaciones hidráulicas. Rango de temperatura -20 ÷ 185 °C

NOTAS

Verificar la aplicación real de la válvula y las certificaciones de la misma consultando la documentación técnica específica.

R254P

CROMADA

CÓDIGO	MEDIDA	€/ud	□	⊞
R254PX004	3/4"M x tuerca 3/4"H	11,20	5	50

NO CROMADA

CÓDIGO	MEDIDA	€/ud	□	⊞
R254PY003	1/2"M x tuerca 3/4"H	10,70	5	50
R254PY004	3/4"M x tuerca 3/4"H	11,40	5	50



Válvula de esfera cromada con conexión macho-hembra con tuerca y junta plana, específica para contadores. Accionamiento por palomilla roja. Válida para instalaciones hidráulicas. Rango de temperatura -20 ÷ 185 °C.

NOTAS

Verificar la aplicación real de la válvula y las certificaciones de la misma consultando la documentación técnica específica.

R752

CÓDIGO	MEDIDA	€/ud	□	⊞
R752X003	1/2"M x tuerca 3/4"H	13,70	5	50



Válvula de esfera cromada con conexión macho-hembra con tuerca y junta plana, racor telescópico, específica para contadores. Accionamiento por palomilla roja. Válida para instalaciones hidráulicas. Rango de temperatura -20 ÷ 185 °C.

NOTAS

Verificar la aplicación real de la válvula y las certificaciones de la misma consultando la documentación técnica específica.

> ACCESORIOS Y RECAMBIOS PARA VÁLVULAS DE ESFERA

P31L

PALANCA ROJA

CÓDIGO	MEDIDA	€/ud	☐	☒
P31LRY001	1/4"	0,51	1	-
P31LRY102	3/8"-1/2"	0,69	1	-
P31LRY103	3/4"-1"-11/4"	1,11	1	-
P31LRY104	1"1/2-2"	1,95	1	-
P31LRY005	2"1/2-3"	2,40	1	-
P31LRY006	4"	5,80	1	-



Palanca en acero para válvula de esfera con revestimiento en plástico rojo.

P31LG

PALANCA AMARILLA

CÓDIGO	MEDIDA	€/ud	☐	☒
P31LGY001	1/4"	0,51	1	-
P31LGY102	3/8"-1/2"	0,69	1	-
P31LGY103	3/4"-1"-11/4"	1,11	1	-
P31LGY104	1"1/2-2"	1,95	1	-
P31LGY005	2"1/2-3"	2,40	1	-
P31LGY006	4"	5,80	1	-



Palanca en acero para válvula de esfera con revestimiento en plástico amarillo.

P31F

PALOMILLA ROJA

CÓDIGO	MEDIDA	€/ud	☐	☒
P31FRY001	1/4"	0,50	1	-
P31FRY002	3/8"-1/2"	0,71	1	-
P31FRY003	3/4"-1"-11/4"	0,76	1	-



PALOMILLA AMARILLA

CÓDIGO	MEDIDA	€/ud	☐	☒
P31FGY001	1/4"	0,50	1	-
P31FGY002	3/8"-1/2"	0,71	1	-
P31FGY003	3/4"-1"-11/4"	0,78	1	-



Palomilla para válvulas de esfera.

R749T

CÓDIGO	MEDIDA	€/ud	☐	☒
R749TX101	3/8" a 1/2"	4,90	25	250
R749TX102	3/4" a 1 1/4"	5,90	10	100
R749TX103	1 1/2" a 2"	10,85	10	100
R749TX004	2 1/2" a 3"	14,45	5	50
R749TX005	4"	18,30	5	50



Elevador tubular en latón cromado para accionamiento de palanca o palomilla de válvula de esfera.

NOTAS

R749TX004: para R850 (excluida 4") y R250 (excluida 4").

R749TX005: para R850 (solo 4") y R250 (solo 4")

R749F

CÓDIGO	MEDIDA	€/ud	☐	☒
R749FY001	3/8"-1/2"	1,70	1	50
R749FY002	3/4"-1"-11/4"	1,95	1	50
R749FY003	1"1/2-2"	2,20	1	50



Palomilla elevada en plástico para válvula de esfera, con placa roja.

Rango de temperatura -20 ÷ 110 °C.

R288

CÓDIGO	MEDIDA	€/ud	☐	☒
R288Y005	1"	2,00	1	25
R288Y006	1"1/4"	2,40	1	25



Retención en plástico para válvulas de esfera serie R285, R285L y R287M.

R37

CROMADA

CÓDIGO	MEDIDA	€/ud	☐	☒
R37X003	1/2" x 3/4"	3,00	25	250
R37X004	3/4" x 1"	4,75	10	100

NO CROMADA

CÓDIGO	MEDIDA	€/ud	☐	☒
R37Y003	1/2" x 3/4"	2,90	25	250
R37Y004	3/4" x 1"	4,65	10	100



Racor para conexión a contadores.

R747

CÓDIGO	MEDIDA	€/ud	☐	☒
R747Y001	3/8"-1/2"	1,06	100	1.000
R747Y002	3/4"-1"-1 1/4"	1,28	100	1.000
R747Y003	1"1/2-2"	1,90	100	1.000



Placa para bloqueo de palanca en válvulas de esfera.

P18L

CÓDIGO	MEDIDA	€/ud	☐	☒
P18LY007	1 1/2"	2,05	1	-
P18LY009	2"	3,30	1	-



Tuerca para enlaces

P57G

CÓDIGO	MEDIDA	€/ud	☐	☒
P57GY007	1"1/2"	0,43	1	-

Junta para tuerca P18L.



> GRIFOS DE ESFERA

R601

CÓDIGO	MEDIDA	€/ud	□	⊞
R601Y002	3/8"	5,65	1	100
R601Y003	1/2"	6,00	1	100



Grifo de esfera con conexión hembra-hembra. Accionamiento con volante a mariposa rojo. Válido para instalaciones hidráulicas.

R602

CÓDIGO	MEDIDA	€/ud	□	⊞
R602Y003	1/2"	5,85	1	100



Grifo de esfera con conexión hembra-hembra. Accionamiento con palanca reducida roja. Válido para instalaciones hidráulicas.

R611

CÓDIGO	MEDIDA	€/ud	□	⊞
R611Y012	3/8"	5,35	1	100
R611Y013	1/2"	5,80	1	100
R611Y014	3/4"	8,10	1	50



Grifo de esfera con conexión hembra-hembra. Accionamiento con destornillador. Válido para instalaciones hidráulicas.



R603

CÓDIGO	MEDIDA	€/ud	□	⊞
R603X103	1/2"	8,60	1	50
R603X104	3/4"	12,80	1	50



Grifo de esfera cromado con conexión hembra-macho con enlace. Accionamiento con palanca reducida roja. Válido para instalaciones hidráulicas.

R609

CÓDIGO	MEDIDA	€/ud		
R609Y012	3/8"	5,40	1	100
R609Y013	1/2"	5,80	1	100
R609Y014	3/4"	8,05	1	50



Grifo de esfera con conexión macho-hembra.
Accionamiento con destornillador.
Válido para instalaciones hidráulicas.
Rango de temperatura 5 ÷ 90 °C.
Presión máxima de trabajo 10bar.

NOTAS

Verificar la aplicación real de la válvula y las certificaciones de la misma consultando la documentación técnica específica.

R610

CÓDIGO	MEDIDA	€/ud		
R610Y003	1/2"	5,80	1	100



Grifo de esfera con conexión macho-macho.
Accionamiento con destornillador.
Válido para instalaciones hidráulicas.
Rango de temperatura 5 ÷ 90 °C.
Presión máxima de trabajo 10bar.

R610F

CÓDIGO	MEDIDA	€/ud		
R610LY003	1/2"	5,60	1	100



Grifo de esfera con conexión macho-macho.
Accionamiento con palanca reducida roja.
Válido para instalaciones hidráulicas.

R612

CÓDIGO	MEDIDA	€/ud		
R612Y003	1/2" x16	5,70	10	100



Grifo de esfera con conexión macho-base adaptador para tubería de cobre, plástico o multicapa. Accionamiento con destornillador.
Válido para instalaciones hidráulicas.
Rango de temperatura 5 ÷ 90 °C.
Presión máxima de trabajo 10bar.

NOTAS

Verificar la aplicación real de la válvula y las certificaciones de la misma consultando la documentación técnica específica.

R608

CÓDIGO	MEDIDA	€/ud	□	⊞
R608Y012	3/8"	6,80	1	100
R608Y013	1/2"	7,70	1	100
R608Y014	3/4"	9,95	1	50
R608Y022	3/8"	5,70	1	100
R608Y023	1/2"	6,45	1	100
R608Y024	3/4"	9,45	1	50
R608Y033	1/2"	6,45	1	100
R608Y034	3/4"	9,20	1	100



Grifo de esfera con conexión macho-toma manguera. Accionamiento con destornillador. Válido para instalaciones hidráulicas. Rango de temperatura 5 ÷ 90 °C. Presión máxima de trabajo 10bar.

NOTAS

Verificar la aplicación real de la válvula y las certificaciones de la misma consultando la documentación técnica específica.

R608Y012, 013, 014: Conjunto completo

R608Y022, 023, 024: Sin tapón y sin cadena

R608Y032, 033, 034: Sin toma de manguera

R608D

CÓDIGO	MEDIDA	€/ud	□	⊞
R608DY113	1/2"	10,35	1	100
R608DY123	1/2"	9,75	1	100
R608DY133	1/2"	9,50	1	100



Grifo de esfera con conexión macho-toma manguera. Conexión macho con autojunta. Accionamiento por palanca reducida. Válido para instalaciones hidráulicas. Rango de temperatura 5 ÷ 90 °C. Presión máxima de trabajo 10bar.

NOTAS

Verificar la aplicación real de la válvula y las certificaciones de la misma consultando la documentación técnica específica.

R608DY113: Conjunto completo

R608DY123: Sin tapón y sin cadena

R608DY133: Sin toma de manguera

> GRIFOS DE JARDÍN

R619

CÓDIGO	MEDIDA	€/ud	□	⊞
R619X103	1/2"	10,50	5	50



Grifo de jardín cromado con conexión macho-toma manguera. Accionamiento con palanca reducida roja.
Válido para instalaciones hidráulicas.
Rango de temperatura 5 ÷ 90 °C.
Presión máxima de trabajo 10bar.

NOTAS

Verificar la aplicación real de la válvula y las certificaciones de la misma consultando la documentación técnica específica.

R620

CÓDIGO	MEDIDA	€/ud	□	⊞
R620X003	1/2"	10,30	5	50
R620X014	3/4"	17,15	1	50
R620X015	1"	28,70	1	30



Grifo de jardín cromado con conexión macho-toma manguera. Accionamiento por palomilla roja.
Válido para instalaciones hidráulicas.
Rango de temperatura 5 ÷ 90 °C.
Presión máxima de trabajo 10bar.

NOTAS

Verificar la aplicación real de la válvula y las certificaciones de la misma consultando la documentación técnica específica.

R621

CÓDIGO	MEDIDA	€/ud	□	⊞
R621X003	1/2"	10,30	5	50
R621X014	3/4"	15,10	1	50
R621X015	1"	28,70	1	30



Grifo de jardín cromado con conexión macho-toma manguera. Accionamiento por palanca roja.
Válido para instalaciones hidráulicas.
Rango de temperatura 5 ÷ 90 °C.
Presión máxima de trabajo 10bar.

NOTAS

Verificar la aplicación real de la válvula y las certificaciones de la misma consultando la documentación técnica específica.

> ACCESORIOS Y RECAMBIOS PARA GRIFOS

P22F

CÓDIGO	MEDIDA	€/ud	□	⊞
P22FY001	3/8"-1/2"	0,59	1	-
P22FY003	3/4"	0,71	1	-

Volante para grifo de esfera R601 y R603.



P23F

CÓDIGO	MEDIDA	€/ud	□	⊞
P23FY003	1/2"	1,20	1	-
P23FY004	3/4"	1,22	1	-

Tapón hembra y cadena para grifos de esfera.



P22L

CÓDIGO	MEDIDA	€/ud	□	⊞
P22LY001	3/8"-1/2"	0,56	1	-
P22LY003	3/4"	0,70	1	-

Palanca para grifo de esfera R602.



P23M

CÓDIGO	MEDIDA	€/ud	□	⊞
P23MY002	3/8"	0,94	1	-
P23MY003	1/2"	2,35	1	-
P23MY004	3/4"	1,65	1	-

Tapón macho y cadena para grifos de esfera.



R625

CROMADAS

CÓDIGO	MEDIDA	€/ud	□	⊞
R625X003	1/2"	2,00	1	-
R625X004	3/4"	2,50	1	-
R625X014	1" x R620X014, R621X014 (1")	3,45	1	150
R625X015	1 1/4" x R620X015, R621X015 (1")	5,15	8	160

NO CROMADAS

CÓDIGO	MEDIDA	€/ud	□	⊞
R625Y002	3/8"	2,25	1	-
R625Y003	1/2"	1,60	1	-
R625Y004	3/4"	2,30	1	-

Tuerca y portagoma cromada para grifos de esfera.



R622

Documentación técnica n. 0145IT

CÓDIGO	MEDIDA	€/ud	□	⊞
R622X004	3/4"	4,30	20	200

Antirretorno para grifo de jardín.





A piece of life.



**DESDE COMPONENTES HASTA SISTEMAS INTEGRADOS:
SOLUCIONES GIACOMINI PARA EL MÁXIMO CONFORT.**



Somos "Water e-motion" porque nuestros componentes y sistemas, junto con el agua, climatizan los ambientes, gestionan los consumos, crean soluciones ideales para mejorar la vida y optimizar la eficiencia energética. En todas partes donde se mueva el agua, Giacomini lleva toda su excelencia de sus productos Made in Italy. Giacomini, a piece of life.

giacomini.com

Índice de productos

CÓDIGO	PÁGINA	CÓDIGO	PÁGINA	CÓDIGO	PÁGINA
016P00434	33	GE550Y102	184	GE552Y127	193
021P15278	30	GE550Y103	184	GE552Y131	191
052P00052	28	GE550Y104	184	GE552Y133	191
310Y004	242	GE550Y111	184	GE552Y135	191
310Y006	232, 242	GE550Y112	186	GE552Y139	191
310Y007	242	GE550Y113	186	GE552Y141	191
310Y010	242	GE550Y114	186	GE552Y143	191
311Y001	242	GE550Y115	186	GE552Y145	191
311Y003	242	GE550Y116	186	GE552Y147	191
311Y005	242	GE550Y117	186	GE552Y149	191
311Y010	242	GE550Y121	185	GE552Y161	193
311Y011	242	GE550Y122	185	GE552Y162	193
312Y001	242	GE550Y123	185	GE552Y163	193
312Y003	242	GE550Y124	185	GE552Y164	193
312Y005	242	GE550Y125	185	GE552Y166	192, 193
312Y010	242	GE550Y129	185	GE552Y167	192, 193
312Y011	242	GE550Y130	185	GE552Y168	192, 193
315Y001	242	GE550Y135	185	GE552Y169	192, 193
315Y003	242	GE550Y136	185	GE552Y190	175, 179, 180, 181, 182, 183, 193
315Y004	242	GE550Y137	185	GE552Y191	175, 179, 181, 183, 193
315Y010	242	GE550Y138	185	GE552Y192	190
317Y001	242	GE550Y139	185	GE552Y193	190
317Y002	242	GE550Y144	186	GE552Y195	193
318Y001	242	GE550Y145	186	GE552Y196	193
318Y006	242	GE550Y146	186	GE552Y215	172, 173, 174, 175, 177, 190
318Y010	242	GE550Y147	186	GE552Y216	172, 173, 174, 175, 177, 179 180, 181, 182, 183, 190
318Y014	242	GE550Y148	175, 187	GE552Y217	172, 173, 174, 175, 177, 190
334X001	242	GE550Y149	187	GE552Y231	191
BC1Y060	235	GE550Y158	186	GE552Y233	191
BC1Y075	235	GE550Y159	186	GE552Y235	191
BC1Y100	235	GE550Y166	174, 185	GE552Y243	191
BC1Y150	235	GE550Y167	174, 185	GE552Y245	191
BC1Y200	235	GE550Y168	174, 185	GE552Y247	191
BPY030	234	GE550Y169	174, 185	GE552Y249	191
BPY050	234	GE550Y170	174, 185	GE552Y251	191
BPY080	234	GE550Y171	174, 185	GE552Y253	191
BPY100	234	GE551Y002	189	GE552Y255	191
BPY150	234	GE551Y003	189	GE555Y135	175
BPY200	234	GE551Y004	189	GE555Y136	175
BS1Y015	233	GE551Y031	188	GE555Y461	172
BS1Y020	233	GE551Y038	188	GE555Y462	172
BS1Y030	233	GE551Y039	188	GE555Y463	172
BS1Y040	233	GE551Y040	174, 188	GE555Y464	172
BS1Y050	233	GE551Y070	177, 188	GE555Y466	172
BS1Y080	233	GE551Y071	177, 188	GE555Y469	172
BS1Y100	233	GE551Y072	179, 188	GE555Y470	173
BS2Y020	234	GE551Y073	179, 188	GE555Y472	172
BS2Y030	234	GE551Y074	181, 188	GE555Y508	176
BS2Y040	234	GE551Y075	183, 188	GE555Y516	176
BS2Y050	234	GE551Y081	180, 188	GE555Y526	176
BS2Y080	234	GE551Y082	180, 188	GE555Y527	176
BS2Y100	234	GE551Y083	180, 188	GE555Y536	176
BS2Y150	234	GE551Y084	180, 188	GE555Y538	176
BS2Y200	234	GE551Y154	188	GE556Y152	182
BSERY005	235	GE551Y171	189	GE556Y171	180
BSETY001	235	GE551Y173	189	GE556Y176	180
GE500Y253	179	GE551Y174	177, 189	GE556Y177	180
GE500Y254	181	GE551Y177	172, 174, 189	GE556Y301	178
GE500Y306	192	GE551Y178	172, 174, 189	GE556Y302	178
GE500Y307	192	GE551Y179	175, 189	GE556Y303	178
GE500Y308	190	GE551Y180	189	GE556Y314	178
GE500Y309	190	GE551Y181	182, 189	GE556Y320	183
GE500Y310	190	GE551Y182	172, 189	GE556Y321	183
GE500Y401	197	GE552Y014	195	GE556Y322	183
GE500Y402	197	GE552Y016	197	GE556Y323	183
GE500Y406	192	GE552Y027	172, 173, 174, 175, 177, 179 180, 181, 182, 183, 197	GE556Y401	181
GE550Y001	181			GE556Y402	181
GE550Y004	172, 173, 174, 177, 184	GE552Y034	197	GE700Y030	169
GE550Y005	172, 173, 174, 184	GE552Y035	197	GE700Y033	169
GE550Y008	172, 173, 174, 177, 184	GE552Y043	171, 197	GE700Y101	169
GE550Y014	172, 173, 174, 177, 184	GE552Y050	194	GE700Y102	169
GE550Y015	172, 173, 174, 184	GE552Y051	194	GE700Y103	169
GE550Y024	172, 177, 184	GE552Y052	171, 196	GE700Y104	169
GE550Y090	187	GE552Y053	171, 196	GE700Y105	169
GE550Y091	187	GE552Y055	194, 196	GE700Y106	169
GE550Y092	187	GE552Y056 software	194	GE700Y107	169
GE550Y093	187	GE552Y122	190	GE700Y108	169
GE550Y094	187	GE552Y123	190	GE700Y109	169
GE550Y095	187	GE552Y124	175, 179, 180, 181, 182, 183, 193	GE700Y110	169
GE550Y100	59, 60, 147, 148, 173	GE552Y125	193	GE700Y150	171
GE550Y101	184	GE552Y126	175, 179, 181, 183, 193	GE700Y151	197

CÓDIGO	PÁGINA	CÓDIGO	PÁGINA	CÓDIGO	PÁGINA
GE700Y801	169	GX151Y009	108	GX655Y406	108
GESWY001	171, 197	GX151Y014	108	GX655Y433	108
GS200Y001	231	GX151Y015	108	GX655Y434	108
GS250Y001	231	GX151Y016	108	GX655Y435	108
GS550Y001	240	GX151Y017	108	GX655Y436	108
GS550Y002	240	GX151Y021	108	H201Y001	36, 114, 124, 133
GSK01Y001	232	GX151Y022	108	K120AX501	72
GSK02Y002	232	GX151Y023	108	K120AX502	72
GSTI01Y003	232	GX151Y025	108	K120AX701	72
GSTI02Y001	232	GX151Y026	108	K120AX702	72
GSTI03Y002	232	GX151Y027	108	K120CX501	72
GSTP1Y001	232	GX151Y028	108	K120CX502	72
GSTP1Y002	232	GX151Y032	108	K120CX701	72
GSTP2Y001	232	GX151Y033	108	K120CX702	72
GSTP2Y002	232	GX151Y035	108	K120LX501	72
GSTP3Y001	232	GX151Y036	108	K120LX701	72
GSTP3Y002	232	GX151Y037	108	K120X501	72
GX102Y003	107	GX151Y038	108	K120X701	72
GX102Y004	107	GX151Y044	108	K12AX200	74
GX102Y005	107	GX151Y045	108	K12AX300	74
GX102Y006	107	GX151Y047	108	K12CX200	74
GX102Y007	107	GX151Y048	108	K12CX300	74
GX103Y004	107	GX152Y041	108	K12LAX200	74
GX103Y005	107	GX152Y043	108	K12LAX300	74
GX103Y006	107	GX153Y033	108	K12LCX200	74
GX103Y008	107	GX153Y034	108	K12LCX300	74
GX103Y009	107	GX153Y044	108	K12LX200	74
GX103Y010	107	GX153Y045	108	K12LX300	74
GX103Y011	107	GX153Y056	108	K12X200	74
GX107Y033	107	GX154Y033	108	K12X300	74
GX107Y034	107	GX154Y034	108	K270Y101	62, 172, 173, 174
GX107Y035	107	GX154Y044	108		175, 177, 179, 208
GX107Y043	107	GX154Y045	108	K270Y102	62, 172, 173, 174
GX107Y044	107	GX154Y056	108		175, 177, 179, 208
GX107Y045	107	GX158X003	108	K272Y101	62, 208
GX107Y054	107	GX158X004	108	K272Y102	62, 208
GX107Y055	107	GX165Y003	108	K274Y052	207
GX107Y056	107	GX165Y004	108	K274Y101	97
GX107Y067	107	GX165Y005	108	K274Y102	97
GX107Y077	107	GX174X401	108	K275Y002	97
GX109Y033	107	GX174X402	108	K275Y011	97
GX109Y034	107	GX174X403	108	K275Y013	97
GX109Y043	107	GX174X404	108	K281X012	97, 177, 211
GX109Y044	107	GX179Y023	108	K281X022	97, 211
GX109Y045	107	GX179Y033	108	K281X032	211
GX109Y055	107	GX179Y034	108	K281X042	211
GX109Y056	107	GX179Y043	108	K282X022	97, 177
GX109Y067	107	GX179Y053	108	K360Y002	84
GX109Y077	107	GX179Y054	108	K369AY021	47, 49, 51
GX122Y003	107	GX200Y002	114	K369AY022	47, 49, 51
GX122Y004	107	GX200Y004	114	K369DY001	47, 49, 52
GX122Y005	107	GX200Y101	113	K369LY001	52
GX122Y006	107	GX200Y102	113	K369Y021	47, 49, 51
GX122Y007	107	GX200Y103	113	K373Y011	81, 220
GX127Y003	107	GX201Y0043	114	K373Y012	81, 220
GX127Y043	107	GX202Y001	114	K373Y013	177, 221
GX127Y044	107	GX202Y002	114	K373Y021	221
GX127Y045	107	GX202Y003	114	K373Y022	221
GX127Y055	107	GX202Y011	114	K373Y023	221
GX127Y056	107	GX202Y013	114	K373Y033	221
GX127Y066	107	GX202Y015	114	K374Y001	222
GX128X003	107	GX202Y016	114	K374Y002	222
GX128X004	107	GX202Y017	114	K374Y003	222
GX129Y033	107	GX202Y018	114	K374Y004	222
GX129Y034	107	GX202Y021	114	K375Y011	47, 49, 51, 52, 75
GX129Y044	107	GX202Y022	114	K376Y011	47, 49, 52
GX129Y045	107	GX202Y026	114	K377Y001	241
GX129Y055	107	GX202Y027	114	K377Y002	241
GX129Y056	107	GX203Y001	114	K389WY001	49, 52, 64
GX129Y066	107	GX203Y002	114	K389Y002	49, 52
GX139Y003	107	GX61Y013	107	K389Y003	49, 52
GX139Y004	107	GX61Y014	107	K393Y001	47, 49, 52
GX139Y005	107	GX61Y015	107	K400Y002	88
GX139Y006	107	GX61Y016	107	K410WY001	23
GX139Y023	107	GX61Y017	107	K410WY002	86
GX139Y024	107	GX651Y003	108	K410WY003	86
GX150Y003	107	GX651Y004	108	K410WY012	86
GX150Y004	107	GX651Y005	108	K463PY001	84, 86
GX150Y005	107	GX655Y403	108	K465PY001	84
GX150Y006	107	GX655Y404	108	K465Y001	86
GX150Y007	107	GX655Y405	108	K470HX001	26

CÓDIGO	PÁGINA	CÓDIGO	PÁGINA	CÓDIGO	PÁGINA
K470WX001	23	KPM31Y005	82	P146MY104	102, 204
K471X001	26	KPM35Y001	82	P146MY105	102, 204
K490IY001	80	KPM36Y001	83	P15EY004	63, 209
K490IY002	80	KPM36Y002	83	P15EY005	63, 209
K492BY002	83	KPM36Y003	83	P15FY013	207
K492DY012	81	KPM40Y002	86	P15TGX002	33
K493IY002	84	KPM45Y002	86	P15TGX003	33
K493TY002	84	KS120I200	68	P15TGX004	33
K494AY001	80	KS120I300	68	P15TGX043	33
K494IY001	81	KS120X300	68	P15TGX044	33
K494IY002	81	KS120Y200	68	P15TGX045	33
K494IY011	81	KS60I120	68	P15X002	33
K494IY012	81	KS60I200	68	P15X003	33
K495BY002	83	KS60Y120	68	P15X004	33
K495LY002	83	KS60Y200	68	P15X005	33
K497Y001	83	KTD3Y003	238	P15X006	33
K497Y002	83	KTD5Y006	238	P15X033	33
K498MY002	84	KTDPY001	238	P15X034	33
K499Y010	81	KTDSY001	238	P15X035	33
K500Y002	222	KVY160	91	P15X036	33
K563PY002	88	KVY300	91	P15Y015	207
K60AX501	72	KVY500	91	P15Y016	207
K60AX701	72	N10Y002	226	P15Y017	207
K60CX501	71	N10Y003	226	P15Y018	207
K60CX701	71	N12Y005	226	P16SY001	33
K60LAX501	72	N14Y001	226	P16SY002	33
K60LAX701	72	N14Y003	226	P16SY003	33
K60LCX501	71	N15Y005	226	P16Y001	33
K60LCX701	71	N15Y006	226	P16Y002	33
K60LX501	71	N15Y007	226	P16Y003	33
K60LX701	71	N15Y008	226	P16Y005	33
K60X501	71	N16GY001	226	P16Y008	33
K60X701	71	N16GY002	226	P18LX002	33
K6AX200	74	N16GY003	226	P18LX003	33
K6AX300	74	N16KY001	226	P18LX004	33
K6CX200	73	N16KY002	226	P18LX005	33
K6CX300	73	N16KY003	226	P18LX006	33
K6LAX200	74	N16Y005	226	P18LX013	33
K6LAX300	74	N17Y002	227	P18LX023	33
K6LCX200	73	N17Y003	227	P18LY007	250, 250, 252
K6LCX300	73	N18CY001	227	P18LY009	250, 250, 252
K6LX200	73	N1UBY001	226	P18RX002	143
K6LX300	73	N1UY001	226	P18RX003	143
K6X200	73	N1UY012	226	P18RX004	143
K6X300	73	N1Y001	226	P18RX005	143
K805PY003	50	N20Y003	227	P18RX006	143
K805PY004	50	N2Y001	226	P18RX007	143
K805PY023	50	N3Y001	226	P18RX008	143
K805PY024	50	N42Y007	227	P206AMY001	213
K809Y001	54	N5Y003	220	P206AMY002	213
K85RSY001	75	N5Y004	220	P206AMY003	213
K85RSY003	75	N5Y005	220	P206AY001	213
KA410Y001	23	N5Y006	220	P206AY002	213
KD201Y001	83	N5Y007	220	P206AY003	213
KD400Y002	87	N5Y008	220	P206AY004	213
KD410Y001	85	N5Y009	220	P206AY005	213
KD410Y002	23	N5Y010	220	P206Y001	213
KDPCY024	89	N5Y011	220	P21SY001	207
KDPFY024	89	N6Y003	220	P21SY002	207
KDPHY024	89	N6Y004	220	P21SY003	207
KDPRHY024	89	N6Y005	220	P21SY004	207
KDSHY026	90	N6Y006	220	P21SY005	207
KDSPLY026	90	N6Y007	220	P21SY006	207
KDSPLY350	90	N6Y008	220	P21SY011	207
KDSRHY026	90	N6Y009	220	P21SY012	207
KDSRHY350	90	N6Y010	220	P21SY013	207
KDSRY500	90	P10SY001	165	P21SY014	207
KDVRAY360	91	P10SY002	165	P21SY015	207
KDVRAY500	91	P10VY001	165	P21SY016	207
KDVRWY300	91	P10VY002	165	P21SY017	207
KE410Y002	23	P10VY011	165	P21SY018	207
KF201Y001	84	P10VY012	165	P225EY001	213
KPM30Y001	82	P12AX003	35	P22BY007	34
KPM30Y002	82	P12AX004	35	P22BY008	34
KPM30Y003	82	P12AX006	35	P22BY009	34
KPM30Y004	82	P12AX011	35	P22BY013	34
KPM30Y005	82	P146CY001	102, 204	P22FY001	257
KPM31Y001	82	P146CY011	102, 204	P22FY003	257
KPM31Y002	82	P146MY002	102, 204	P22LY001	257
KPM31Y003	82	P146MY003	102, 204	P22LY003	257
KPM31Y004	82	P146MY103	102, 204	P22Y004	165

CÓDIGO	PÁGINA	CÓDIGO	PÁGINA	CÓDIGO	PÁGINA
P23FY003	257	P586SY010	239	R146DY017	100, 202
P23FY004	257	P586SY030	239	R146DY018	100, 202
P23MY002	257	P61RY001	143	R146DY105	100, 202
P23MY003	257	P61RY002	143	R146DY106	100, 202
P23MY004	257	P61RY003	143	R146DY108	100, 202
P26AX004	34	P61RY004	143	R146DY110	100, 202
P26AX005	34	P61RY005	143	R146DY112	100, 202
P26AX006	34	P61RY006	143	R146DY115	100, 202
P26BX001	34	P61RY007	143	R146IM005	99, 201
P26PY012	34	P61RY008	143	R146IM006	99, 201
P26PY013	34	P61RY009	143	R146IM007	99, 201
P275Y001	103	P61RY010	143	R146IM008	99, 201
P31FGY001	252	P61RY011	143	R146IM105	99, 201
P31FGY002	252	P76WIY012	177, 180, 181, 183	R146IM106	99, 201
P31FGY003	252	P76WIY013	104, 165	R146IM108	99, 201
P31FRY001	252	P76WIY113	239	R146IM110	99, 201
P31FRY002	252	P78MY001	163	R146IM112	99, 201
P31FRY003	252	P78TY001	227	R146IM115	99, 201
P31LGY001	252	P78TY002	227	R146IY005	98, 200
P31LGY005	252	PM100WY02	87	R146IY006	98, 200
P31LGY006	252	PM100Y001	81	R146IY007	98, 200
P31LGY102	252	PM100Y003	81	R146IY008	98, 200
P31LGY103	252	R131Y003	30, 36, 54, 114	R146IY105	98, 200
P31LGY104	252		124, 133, 143, 166	R146IY106	98, 200
P31LRY001	252	R131Y004	30, 36, 54, 114	R146IY108	98, 200
P31LRY005	252		124, 133, 143, 166	R146IY110	98, 200
P31LRY006	252	R136Y001	166	R146IY112	98, 200
P31LRY102	252	R140CY006	217, 240	R146IY115	98, 200
P31LRY103	252	R140CY009	217, 240	R146MY014	101, 203
P31LRY104	252	R140CY010	217	R146MY015	101, 203
P36SY003	219	R140CY011	217	R146MY016	101, 203
P36SY004	219	R140MY003	216	R146MY017	101, 203
P36SY005	219	R140PX028	218, 240	R146MY018	101, 203
P36SY006	219	R140PX038	218, 240	R146MY105	101, 203
P36SY007	219	R140PY021	217	R146MY106	101, 203
P36SY008	219	R140PY026	217	R146MY108	101, 203
P36Y001	227	R140PY031	217	R146MY110	101, 203
P36Y002	227	R140PY036	217	R146MY112	101, 203
P50Y003	241	R140RY101	216	R146MY115	101, 203
P51RGY001	143	R140RY102	216	R146WY001	102, 204
P51RGY002	143	R140RY103	216	R146WY002	102, 204
P51RGY003	143	R140SY102	217	R146WY003	102, 204
P51RGY004	143	R140SY103	217	R147NY004	223
P51RGY005	143	R140TY102	216	R14X032	9
P51RGY006	143	R140TY103	216	R14X033	9
P51RGY007	143	R140Y002	216	R14X034	9
P51RGY008	143	R140Y003	216	R14X035	9
P51RGY009	143	R140Y005	216	R14X036	9
P51RGY010	143	R140Y006	216	R150BY103	225
P51RGY011	143	R140Y009	216	R150MY003	224
P51RNY000	143	R140Y020	216	R150MY013	224
P51RNY001	143	R140Y022	216	R150Y103	224
P51RNY002	143	R140Y023	216	R153CX003	214
P51RNY003	143	R140Y025	216	R153CX004	214
P51RNY004	143	R140Y026	216	R153MY003	215
P51RNY005	143	R140Y029	216	R153MY004	215
P51RNY006	143	R140Y040	216	R153MY005	215
P51RNY007	143	R140Y042	216	R153MY006	215
P51RNY008	143	R140Y043	216	R153MY007	215
P51RNY009	143	R140Y045	216	R153MY008	215
P51RNY010	143	R140Y046	216	R153MY103	215
P51RNY011	143	R140Y049	216	R153MY104	215
P553PY001	57, 78, 165	R140Y062	216	R153MY105	215
P553PY004	57, 78, 165	R140Y063	216	R153PX003	214
P553PY008	57, 78, 165	R140Y065	216	R153PX004	214
P553PY009	57, 78, 165	R140Y066	216	R153PX005	214
P553PY020	57, 78, 165	R140Y069	216	R153PX006	214
P553PY021	57, 78, 165	R141CY004	218	R153PX007	214
P553PY022	57, 78, 165	R141CY005	218	R153PX008	214
P553PY023	57, 78, 165	R141CY006	218	R156X004	215
P56TY001	18	R141Y003	218	R156X005	215
P57GY007	252	R141Y014	218	R156X024	215
P586SY001	239	R141Y015	218	R156X025	215
P586SY002	239	R141Y016	218	R156Y223	215
P586SY003	239	R141Y017	218	R156Y224	215
P586SY004	239	R144SY001	229	R156Y225	215
P586SY005	239	R146CX004	99, 201	R156Y226	215
P586SY006	239	R146CX005	99, 201	R156Y227	215
P586SY007	239	R146DY014	100, 202	R156Y228	215
P586SY008	239	R146DY015	100, 202	R157AY051	228
P586SY009	239	R146DY016	100, 202	R157AY052	228

CÓDIGO	PÁGINA	CÓDIGO	PÁGINA	CÓDIGO	PÁGINA
R157AY053	228	R179EY055	126	R180MY113	135
R157AY054	228	R179EY056	126	R180MY114	135
R157AY061	228	R179EY058	126	R180MY115	135
R157AY062	228	R179MX013	126	R180MY116	135
R157AY063	228	R179MX014	30, 126	R180MY120	135
R157AY064	228	R179MX015	30, 126	R180MY121	135
R158Y001	230	R179MX016	126	R180MY122	135
R15X032	9	R179MX017	126	R180MY123	135
R15X033	9	R179MX019	126	R180MY128	135
R15X034	9	R179MX020	30, 126	R180RX015	32, 128, 138
R15X035	9	R179MX021	126	R180RX016	32, 128, 138
R15X036	9	R179MX022	54, 126	R180RX021	128, 138
R160Y001	205	R179MX023	54, 126	R180RX023	128, 138
R160Y002	205	R179MX024	30, 54, 126	R180RX055	32, 128, 138
R16X032	9	R179MX025	30, 54, 126	R180RX056	32, 128, 138
R16X033	9	R179MX026	54, 70, 126	R180RY007	32, 128, 138
R171CY001	28	R179MX026	30	R180RY015	32, 128, 138
R171CY002	28	R179MX027	54, 126	R180RY016	32, 128, 138
R171CY003	28	R179MX028	54, 126	R180RY020	32, 128, 138
R171FY002	28	R179MX030	54, 126	R180RY021	32, 128, 138
R171FY012	28	R179MX034	54, 126	R180RY023	32, 128, 138
R171PY001	28	R179MX035	54, 126	R180RY027	32, 128, 138
R171PY002	28	R179MX036	126	R180RY028	32, 128, 138
R171PY003	28	R179MX040	30, 126	R180RY034	32, 128, 138
R173PX003	29	R179MX045	30, 126	R180RY055	32, 128, 138
R173PX004	29	R179X025	126	R180RY056	32, 128, 138
R173X002	29	R179X026	126	R180RY060	32, 128, 138
R173X003	29	R179X027	126	R180RY061	32, 128, 138
R173X004	29	R179X033	126	R180RY063	32, 128, 138
R173X005	29	R179X034	126	R180RY068	32, 128, 138
R173X006	29	R179X040	111, 126	R182MY002	104
R173X007	29	R179X041	126	R182Y006	241
R173X032	29	R179X044	126	R186FY003	127
R173X033	29	R179X046	126	R186FY004	127
R173X037	29	R179X051	111, 126	R186FY033	127
R175AY001	28	R179X055	75, 126	R186FY035	127
R175BY001	28	R179X062	54, 126	R186FY041	127
R175CY001	28	R179X063	54, 126	R186FY046	127
R176PX003	34, 130, 140	R179X070	54, 126	R186FY050	127
R176PX004	34, 130, 140	R179X072	54, 126	R186FY051	127
R176PY008	99, 202	R179X076	54, 126	R186FY053	127
R177X010	34, 129, 139	R179X077	54, 75, 126	R186FY055	127
R178CX012	134	R179X079	54, 126	R186FY057	127
R178CX013	134	R179X082	54, 126	R186FY064	127
R178CX015	134	R179X086	54, 126	R186FY081	127
R178CX018	134	R179X087	54, 126	R186FY094	127
R178EX104	134	R179X091	54, 126	R186FY098	127
R178EX112	134	R179X092	54, 126	R186FY103	127
R178EX113	134	R179X094	54, 126	R186FY104	127
R178EX115	134	R179X095	54, 126	R186MY003	127
R178EX116	134	R179X102	126	R186MY013	127
R178EY121	134	R179X103	126	R186MY014	127
R178EY122	134	R179X104	30, 126	R186MY033	127
R178EY123	134	R179X105	126	R186MY036	127
R178EY124	134	R17X032	10	R186MY041	127
R178EY125	134	R17X033	10	R186MY046	127
R178RX011	34, 129, 139	R180FY102	135	R186MY048	127
R178RX012	34, 129, 139	R180FY103	135	R186MY050	127
R178RY011	34, 129, 139	R180FY104	135	R186MY051	127
R178RY012	34, 129, 139	R180FY105	135	R186MY053	127
R178X012	134	R180FY111	135	R186MY055	127
R178X013	134	R180FY112	135	R186MY057	127
R178X015	134	R180FY113	135	R186MY060	127
R178X016	30, 134	R180FY114	135	R186MY064	127
R178X018	30, 134	R180FY115	135	R186MY080	127
R178X031	134	R180FY116	135	R186MY089	127
R178X032	134	R180FY120	135	R186MY098	127
R178X033	134	R180FY121	135	R186MY103	127
R178X034	30, 134	R180FY123	135	R186MY104	127
R178X035	30, 134	R180FY128	135	R187FX046	127
R178X036	30, 134	R180FY135	135	R187FX048	127
R178X042	30, 134	R180MY101	135	R187FX052	127
R178X043	30, 134	R180MY102	135	R187FX061	127
R179EX021	126	R180MY103	135	R187FX062	127
R179EX022	126	R180MY104	135	R187FX082	127
R179EX023	126	R180MY105	135	R187FX092	127
R179EX024	126	R180MY106	135	R187FX096	127
R179EX025	126	R180MY107	135	R187FX105	127
R179EX026	126	R180MY110	135	R187FX115	127
R179EX027	126	R180MY111	135	R187FX126	127
R179EY028	126	R180MY112	135	R187MX046	127

CÓDIGO	PÁGINA	CÓDIGO	PÁGINA	CÓDIGO	PÁGINA
R187MX048	127	R206AY057	210	R251PY006	251
R187MX057	127	R206AY058	210	R251SX003	245
R187MX061	127	R206AY065	210	R251SX004	245
R187MX082	127	R206BY003	211	R251SX005	245
R187MX089	127	R206BY004	211	R251TX004	245
R187MX096	127	R206BY005	211	R251TX005	245
R187MX105	127	R206BY006	211	R251TY005	245
R187MX115	127	R206BY007	211	R251TY025	245
R187MX126	127	R206BY008	211	R251X001	244
R187MX130	127	R206BY013	211	R251X002	244
R189DY003	163	R206BY014	211	R251X003	244
R189DY004	163	R206BY015	211	R251X004	112, 123, 132, 142, 244
R189DY005	163	R206BY016	211	R251X005	112, 123, 132, 142, 244
R189DY006	163	R206BY017	211	R251X006	244
R189VY004	179	R206BY018	211	R251X021	244
R189Y003	163	R206BY113	212	R251X022	244
R189Y004	163	R206BY114	212	R251X023	244
R189Y005	163	R206BY115	212	R251X024	244
R189Y006	163	R206CY103	212	R251X025	244
R189Y007	163	R206CY104	212	R251X026	244
R18SPY005	109, 120, 129, 139	R206CY105	212	R251X052	244
R18SPY006	109, 120, 129, 139	R206CY106	212	R251X053	244
R18SPY007	109, 120, 129, 139	R206CY107	212	R251X054	244
R18SPY008	109, 120, 129, 139	R206CY108	212	R251X055	244
R18X002	109, 120, 129, 139	R20DY016	104	R251X056	244
R18X003	109, 120, 129, 139	R20Y004	109, 120, 129, 139	R251X057	244
R18X004	109, 120, 129, 139	R225EY001	213	R251X058	244
R18X005	109, 120, 129, 139	R225IY004	223	R252Y001	104, 250
R18X006	109, 120, 129, 139	R225IY005	223	R252Y002	250
R18X007	109, 120, 129, 139	R225IY006	223	R252Y003	250
R18X008	109, 120, 129, 139	R225IY007	223	R252Y004	250
R18Y002	109, 120, 129, 139	R225IY009	223	R253LX002	245
R18Y003	109, 120, 129, 139	R225IY010	223	R253LX003	245
R18Y004	109, 120, 129, 139	R225IY011	223	R253LX004	245
R18Y005	109, 120, 129, 139	R225Y002	214, 215	R253LX005	245
R18Y006	109, 120, 129, 139	R225Y012	214	R253LX006	245
R18Y007	109, 120, 129, 139	R226Y001	223	R253LX022	245
R18Y008	109, 120, 129, 139	R226Y002	223	R253LX023	245
R193Y011	63, 209	R227Y001	223	R253LX024	245
R193Y021	63, 209	R227Y010	223	R253LX025	245
R194X002	16	R228AY001	223	R253LX026	245
R194X003	16	R228AY002	223	R253X002	246
R194X004	16	R228AY003	223	R253X003	246
R194X006	16	R228IY001	223	R253X004	246
R194X013	16	R228IY002	223	R253X005	246
R197CY001	104	R228IY003	223	R253X006	246
R197MY001	104	R250SX003	245	R253X022	246
R197MY002	104	R250SX004	245	R253X023	246
R197Y001	104	R250SX005	245	R253X024	246
R197Y002	104	R250SX006	245	R253X025	246
R19DY016	104	R250SX007	245	R253X026	246
R19X002	109, 120, 129, 139	R250SX008	245	R254LX001	246
R19X003	109, 120, 129, 139	R250X001	244	R254LX002	246
R19X004	109, 120, 129, 139	R250X002	244	R254LX003	246
R19X005	109, 120, 129, 139	R250X003	244	R254LX004	246
R19X006	109, 120, 129, 139	R250X004	244	R254LX005	246
R19X007	109, 120, 129, 139	R250X005	244	R254LX006	246
R19X008	109, 120, 129, 139	R250X006	244	R254LX007	246
R19Y002	109, 120, 129, 139	R250X007	244	R254LX008	246
R19Y003	109, 120, 129, 139	R250X008	244	R254LX021	246
R19Y004	109, 120, 129, 139	R250X009	244	R254LX022	246
R19Y005	109, 120, 129, 139	R250X010	244	R254LX023	246
R19Y006	109, 120, 129, 139	R250X011	244	R254LX024	246
R19Y007	109, 120, 129, 139	R250X021	244	R254LX025	246
R19Y008	109, 120, 129, 139	R250X022	244	R254LX026	246
R200X001	29	R250X023	244	R254LX027	246
R200X002	29	R250X024	244	R254LX028	246
R200X003	29	R250X025	244	R254PX004	251
R200X004	29	R250X026	244	R254PY003	251
R206AY013	210	R250X027	244	R254PY004	251
R206AY014	210	R250X028	244	R254PY034	99, 202
R206AY015	210	R250X029	244	R254X001	246
R206AY016	210	R250X030	244	R254X002	246
R206AY017	210	R250X031	244	R254X003	246
R206AY018	210	R251PX003	251	R254X004	246
R206AY033	210	R251PX004	251	R254X005	246
R206AY034	210	R251PX005	251	R254X006	246
R206AY053	210	R251PX006	251	R254X021	246
R206AY054	210	R251PY003	251	R254X022	246
R206AY055	210	R251PY004	251	R254X023	246
R206AY056	210	R251PY005	251	R254X024	246

CÓDIGO	PÁGINA	CÓDIGO	PÁGINA	CÓDIGO	PÁGINA
R254X025	246	R295Y001	103	R402X133	4
R254X026	246	R296Y001	103	R411PX232	5
R258CX002	247	R297Y004	103	R411PX233	5
R258CX005	247	R297Y005	103	R411X032	4
R258CX006	247	R297Y006	103	R411X033	4
R258Y002	247	R297Y007	103	R411X034	4
R258Y004	247	R297Y008	103	R412PX232	6
R258Y005	247	R297Y105	103	R412PX233	6
R258Y006	247	R297Y106	103	R412X032	4
R258Y007	247	R297Y108	103	R412X033	4
R259SX003	247	R297Y110	103	R412X034	4
R259SX004	247	R297Y112	103	R415PX242	6
R259SX005	247	R298Y024	103	R415X033	4
R259SX006	247	R298Y027	103	R415X042	4
R259SX007	247	R29X032	8	R415X043	4
R259SX008	247	R29X033	8	R421X034	2
R259SX009	247	R29X034	8	R421X035	2
R259X003	246	R29X035	8	R421X132	2
R259X004	246	R29X036	8	R421X133	2
R259X005	246	R304TX011	12	R422X034	2
R259X006	246	R304TX012	12	R422X035	2
R259X007	246	R304TX013	12	R422X132	2
R259X008	246	R304TX014	12	R422X133	2
R259X009	246	R304TX015	12	R431X032	3
R259Y005	31, 111, 122, 132, 142, 246	R304TX016	12	R431X033	3
R259Y007	31, 111, 122, 132, 142, 246	R304TX017	12	R431X034	3
R259Y009	246	R304TX018	12	R432AX013	3
R259Y025	246	R314DX033	16	R432CX033	3
R259Y027	246	R314NX022	14	R432X032	3
R259Y029	246	R31X032	8	R432X033	3
R25X032	7	R31X033	8	R432X034	3
R25X033	7	R31X034	8	R435X043	3
R25X034	7	R31X035	8	R435X053	3
R25X035	7	R31X036	8	R435X062	3
R25X036	7	R324NX011	14	R436IX043	15
R269TY035	161	R324NX012	14	R436IX044	15
R269TY036	161	R324NX013	14	R436MX033	16
R274WY001	207	R324NX014	14	R436MX037	15
R274WY002	207	R324NX015	14	R436X062	15
R274Y023	206	R324NX016	14	R436X063	15
R274Y024	206	R324NX017	14	R437NX041	13
R274Y025	206	R324NX018	14	R437X032	12
R274Y033	206	R356BX062	11	R437X042	12
R274Y045	206	R356MX061	13	R438IX043	14
R276BX006	209	R356MX062	13	R438IX044	14
R276BX007	209	R357BX062	11	R438MX033	15
R276BX008	209	R357MX061	13	R438X062	14
R276BX026	209	R357MX062	13	R438X063	14
R276BX027	209	R358BX062	11	R440NX032	11
R276BX028	209	R358MX061	13	R450X001	34
R276Y004	62, 207	R358MX062	13	R450X012	33
R276Y005	62, 207	R37X003	193, 252	R453FY002	61, 79
R277Y004	62, 208	R37X004	193, 252	R453HY011	26
R277Y025	62, 208	R37Y003	193, 252	R453HY012	26
R278Y004	62, 208	R37Y004	193, 252	R453Y001	35
R278Y005	62, 208	R383X001	17	R453Y002	61, 79, 209
R279DY024	208	R383X002	17	R454Y001	27
R279DY025	208	R383X011	17	R454Y002	27
R279Y004	62, 208	R383X012	17	R454Y003	27
R279Y005	62, 208	R384X001	17	R455BY001	27
R27X032	7	R384X002	17	R455CY001	27
R27X033	7	R384X011	17	R462LX001	27
R27X034	7	R384X012	17	R462LX011	27
R27X035	7	R387X001	17	R462LX021	27
R27X036	7	R387X002	17	R462X002	25
R284Y001	104	R388X001	17	R462X005	25
R285LY001	250	R388X002	17	R463X002	26
R285LY003	250	R400Y001	35	R463X005	26
R285Y001	250	R401PX232	5	R465Y001	27
R285Y002	250	R401PX233	5	R468HX001	24
R285Y003	250	R401PX234	5	R468X001	24
R287MY005	104	R401X034	4	R470HX001	25
R287Y005	104	R401X035	4	R470X001	24
R288Y005	104, 252	R401X132	4	R473MX221	61, 79, 209
R288Y006	104, 252	R401X133	4	R473MX222	61, 79, 209
R291Y004	62, 209	R402PX232	5	R473X221	61, 79, 209
R291Y005	62, 209	R402PX233	5	R473X222	61, 79, 209
R292EY004	62, 209	R402PX234	5	R478MX221	61, 79
R292EY005	62, 209	R402X034	4	R478MX222	61, 79
R292Y004	62, 209	R402X035	4	R478VX221	61, 79
R292Y005	62, 209	R402X132	4	R478VX231	61, 79

CÓDIGO	PÁGINA	CÓDIGO	PÁGINA	CÓDIGO	PÁGINA
R478X221	61, 79	R551SY030	154	R551Y129	155
R478X222	61, 79	R551SY031	154	R551Y130	155
R483Y001	17	R551SY032	154	R551Y162	155
R483Y002	17	R551SY042	154	R551Y163	155
R483Y003	17	R551SY043	154	R551Y164	155
R500Y101	63, 157	R551SY044	154	R551Y165	155
R500Y102	63, 157	R551SY045	154	R551Y166	155
R500Y103	63, 157	R551SY046	154	R551Y182	155
R500Y104	63, 157	R551SY047	154	R551Y183	155
R500Y221	63, 157	R551SY048	154	R551Y184	155
R500Y222	63, 157	R551SY049	154	R551Y185	155
R500Y223	63, 157	R551SY050	154	R551Y186	155
R500Y224	63, 157	R551SY051	154	R551Y187	155
R500Y225	63, 157	R551SY052	154	R551Y188	155
R501Y001	157	R551WY005	164	R551Y189	155
R501Y002	157	R551WY006	164	R551Y190	155
R501Y003	157	R551WY007	164	R551Y191	155
R501Y004	157	R551WY008	164	R551Y192	155
R502Y001	157	R551WY009	164	R553AY002	59, 60, 147, 148
R502Y002	157	R551Y002	155	R553AY003	59, 60, 147, 148
R502Y003	157	R551Y003	155	R553DK022	55, 144
R502Y004	157	R551Y004	155	R553DK023	55, 144
R509Y101	158	R551Y005	155	R553DK024	55, 144
R509Y102	158	R551Y006	155	R553DK025	55, 144
R509Y103	158	R551Y007	155	R553DK026	55, 144
R509Y104	158	R551Y008	155	R553DK027	55, 144
R509Y221	158	R551Y009	155	R553DK028	55, 144
R509Y222	158	R551Y010	155	R553DK029	55, 144
R509Y223	158	R551Y011	155	R553DK030	55, 144
R509Y224	158	R551Y012	155	R553DK031	55, 144
R509Y225	158	R551Y022	155	R553DK032	55, 144
R510Y001	158	R551Y023	155	R553FK022	55, 76, 144
R510Y002	158	R551Y024	155	R553FK023	55, 76, 144
R510Y003	158	R551Y025	155	R553FK024	55, 76, 144
R510Y004	158	R551Y026	155	R553FK025	55, 76, 144
R522Y001	163	R551Y027	155	R553FK026	55, 76, 144
R530X003	163	R551Y028	155	R553FK027	55, 76, 144
R531Y003	163	R551Y042	155	R553FK028	55, 76, 144
R532Y001	163	R551Y043	155	R553FK029	55, 76, 144
R53MMY006	58, 77, 151	R551Y044	155	R553FK030	55, 76, 144
R53MTY006	58, 76, 150	R551Y045	155	R553FK031	55, 76, 144
R53MTY007	58, 76, 150	R551Y046	155	R553FK032	55, 76, 144
R53SMY006	58, 151	R551Y047	155	R553FP022	57, 78, 146
R53STY006	58, 150	R551Y048	155	R553FP023	57, 78, 146
R53STY007	58, 150	R551Y049	155	R553FP024	57, 78, 146
R53VMY006	58, 77, 151	R551Y050	155	R553FP025	57, 78, 146
R53VTY006	58, 76, 150	R551Y051	155	R553FP026	57, 78, 146
R53VTY007	58, 76, 150	R551Y052	155	R553FP027	57, 78, 146
R540FY002	244, 248	R551Y062	155	R553FP028	57, 78, 146
R540FY022	244, 248	R551Y063	155	R553FP029	57, 78, 146
R540IY001	223	R551Y064	155	R553FP030	57, 78, 146
R540IY002	223	R551Y065	155	R553FP031	57, 78, 146
R540IY003	223	R551Y066	155	R553FP032	57, 78, 146
R540Y002	163, 223	R551Y067	155	R553FY002	145
R540Y003	163, 223	R551Y068	155	R553FY003	145
R540Y015	163	R551Y069	155	R553FY004	145
R540Y021	163	R551Y070	155	R553FY005	145
R541NX001	109, 121, 130, 140	R551Y071	155	R553FY006	145
R544Y002	109, 121, 130, 140	R551Y072	155	R553FY007	145
R544Y003	109, 121, 130, 140	R551Y082	155	R553FY008	145
R549PY003	54	R551Y083	155	R553FY009	145
R549PY004	54	R551Y084	155	R553FY010	145
R549PY007	54	R551Y085	155	R553FY011	145
R551SY002	154	R551Y086	155	R553FY012	145
R551SY003	154	R551Y087	155	R553FY024	145
R551SY004	154	R551Y088	155	R553FY025	145
R551SY005	154	R551Y089	155	R553FY026	145
R551SY006	154	R551Y090	155	R553FY027	145
R551SY007	154	R551Y091	155	R553FY028	145
R551SY008	154	R551Y092	155	R553FY029	145
R551SY009	154	R551Y102	155	R553FY030	145
R551SY010	154	R551Y103	155	R553FY031	145
R551SY011	154	R551Y104	155	R553FY032	145
R551SY022	154	R551Y105	155	R553KI086	146
R551SY023	154	R551Y106	155	R553KI087	146
R551SY024	154	R551Y123	155	R553KI088	146
R551SY025	154	R551Y124	155	R553MY002	156
R551SY026	154	R551Y125	155	R553MY003	156
R551SY027	154	R551Y126	155	R553MY004	156
R551SY028	154	R551Y127	155	R553MY005	156
R551SY029	154	R551Y128	155	R553MY006	156

CÓDIGO	PÁGINA	CÓDIGO	PÁGINA	CÓDIGO	PÁGINA
R553MY007	156	R553Y010	145	R559NY011	59, 147
R553MY008	156	R553Y011	145	R559NY012	59, 147
R553MY009	156	R553Y012	145	R559NY043	59, 147
R553MY010	156	R553Y022	145	R559WY005	59, 147, 164
R553MY011	156	R553Y023	145	R55Y002	223
R553MY012	156	R553Y024	145	R55Y003	223
R553MY022	156	R553Y025	145	R55Y004	223
R553MY023	156	R553Y026	145	R55Y005	223
R553MY024	156	R553Y027	145	R55Y006	223
R553MY025	156	R553Y028	145	R55Y007	223
R553MY026	156	R553Y029	145	R55Y008	223
R553MY027	156	R553Y030	145	R55Y009	223
R553MY028	156	R553Y031	145	R55Y010	223
R553MY029	156	R553Y032	145	R55Y012	223
R553MY030	156	R554AY001	161	R560RX007	32, 128, 138
R553MY031	156	R554BY004	161	R560RX008	32, 128, 138
R553MY032	156	R554BY005	161	R560RY007	32, 128, 138
R553SY002	156	R554BY006	161	R560RY008	128, 138
R553SY003	156	R554CY004	161	R560RY009	32, 128, 138
R553SY004	156	R554CY005	161	R560RY010	32, 128, 138
R553SY005	156	R554CY006	161	R560Y002	136
R553SY006	156	R554DY005	161	R560Y003	136
R553SY007	156	R554DY006	161	R560Y004	136
R553SY008	156	R554EY001	218	R560Y005	136
R553SY009	156	R554FY001	218	R560Y006	136
R553SY010	156	R554IY004	162	R560Y007	136
R553SY011	156	R554IY005	162	R560Y008	136
R553SY012	156	R554PY005	219	R560Y009	136
R553SY022	156	R557AY006	165	R560Y010	136
R553SY023	156	R557BY005	165	R560Y011	136
R553SY024	156	R557DY005	165	R561RX007	32, 128, 138
R553SY025	156	R557FY002	149	R561RX008	32, 128, 138
R553SY026	156	R557FY003	149	R561RY007	32, 128, 138
R553SY027	156	R557FY004	149	R561RY008	32, 128, 138
R553SY028	156	R557FY005	149	R561RY009	32, 128, 138
R553SY029	156	R557FY006	149	R561RY010	32, 128, 138
R553SY030	156	R557FY007	149	R561Y003	136
R553SY031	156	R557FY008	149	R561Y004	136
R553SY032	156	R557FY009	149	R561Y005	136
R553VY002	156	R557FY010	149	R561Y006	136
R553VY003	156	R557FY011	149	R561Y007	136
R553VY004	156	R557FY012	149	R561Y008	136
R553VY005	156	R557PY005	165	R561Y009	136
R553VY006	156	R557RY024	60, 148	R561Y010	136
R553VY007	156	R557RY025	60, 148	R561Y011	136
R553VY008	156	R557RY026	60, 148	R562RX015	128, 138
R553VY009	156	R557RY027	60, 148	R562RX016	128, 138
R553VY010	156	R557RY028	60, 148	R562RY015	128, 138
R553VY011	156	R557RY029	60, 148	R562RY016	128, 138
R553VY012	156	R557RY030	60, 148	R562RY021	128, 138
R553VY022	156	R557RY031	60, 148	R562RY023	128, 138
R553VY023	156	R557RY032	60, 148	R562RY027	128, 138
R553VY024	156	R557RY042	60, 148	R562RY028	128, 138
R553VY025	156	R557RY075	158	R562RY034	128, 138
R553VY026	156	R557RY076	158	R562Y102	136
R553VY027	156	R557RY077	158	R562Y103	136
R553VY028	156	R557WY025	60, 148, 164	R562Y104	136
R553VY029	156	R557Y002	149	R562Y105	136
R553VY030	156	R557Y003	149	R562Y111	136
R553VY031	156	R557Y004	149	R562Y112	136
R553VY032	156	R557Y005	149	R562Y113	136
R553WY001	56, 77, 163	R557Y006	149	R562Y114	136
R553WY002	56, 77, 164	R557Y007	149	R562Y115	136
R553WY003	56, 77, 163	R557Y008	149	R562Y116	136
R553WY004	56, 77, 164	R557Y009	149	R562Y121	136
R553WY005	56, 77, 163	R557Y010	149	R562Y123	136
R553WY006	56, 77, 164	R557Y011	149	R562Y128	136
R553WY007	56, 77, 163	R557Y051	158	R562Y135	136
R553WY008	56, 77, 164	R557Y052	158	R563RX015	128, 138
R553WY012	56, 77, 164	R557Y061	158	R563RX016	128, 138
R553WY014	56, 77, 164	R557Y062	158	R563RY015	128, 138
R553WY016	56, 77, 164	R557Y063	158	R563RY016	128, 138
R553WY018	56, 77, 164	R558NY001	166	R563RY021	128, 138
R553Y002	145	R558Y001	166	R563RY023	128, 138
R553Y003	145	R559NY004	59, 147	R563RY028	128, 138
R553Y004	145	R559NY005	59, 147	R563Y103	136
R553Y005	145	R559NY006	59, 147	R563Y104	136
R553Y006	145	R559NY007	59, 147	R563Y105	136
R553Y007	145	R559NY008	59, 147	R563Y111	136
R553Y008	145	R559NY009	59, 147	R563Y112	136
R553Y009	145	R559NY010	59, 147	R563Y113	136

CÓDIGO	PÁGINA	CÓDIGO	PÁGINA	CÓDIGO	PÁGINA
R563Y114	136	R580CY053	122, 131, 141, 153	R586CY022	94
R563Y115	136	R580CY054	122, 131, 141, 153	R586DY011	94
R563Y116	136	R580CY062	122, 131, 141, 153	R586DY012	94
R563Y121	136	R580CY063	122, 131, 141, 153	R586DY021	94
R563Y123	136	R580CY064	122, 131, 141, 153	R586DY022	94
R563Y128	136	R580IY004	163	R586EY021	94
R563Y135	136	R580IY005	163	R586EY022	94
R564RX007	32, 128, 138	R580MY005	152	R586FY021	95
R564RX008	32, 128, 138	R580MY006	152	R586FY022	95
R564RY007	32, 128, 138	R580TY004	150	R586GY011	95
R564RY008	32, 128, 138	R580TY005	150	R586GY012	95
R564RY009	32, 128, 138	R580TY006	150	R586GY021	95
R564RY010	32, 128, 138	R580Y022	131, 141, 154	R586GY022	95
R564Y002	137	R580Y023	131, 141, 154	R586HY011	96
R564Y003	137	R580Y024	131, 141, 154	R586HY012	96
R564Y004	137	R580Y025	131, 141, 154	R586HY021	96
R564Y005	137	R580Y026	131, 141, 154	R586HY022	96
R564Y006	137	R580Y027	131, 141, 154	R586KY001	97
R564Y007	137	R580Y028	131, 141, 154	R586MY011	95
R564Y008	137	R580Y029	131, 141, 154	R586QY011	96
R564Y009	137	R580Y030	131, 141, 154	R586QY021	96
R564Y010	137	R580Y062	131, 141, 154	R586RY101	92
R564Y011	137	R580Y063	131, 141, 154	R586RY102	92
R567Y016	130, 140	R580Y064	131, 141, 154	R586RY103	92
R568RY015	129, 138	R580Y065	131, 141, 154	R586RY104	92
R568RY016	129, 138	R580Y066	131, 141, 154	R586RY111	92
R568RY021	129, 138	R580Y067	131, 141, 154	R586RY112	92
R568RY023	129, 138	R580Y068	131, 141, 154	R586RY113	92
R568RY028	129, 138	R580Y069	131, 141, 154	R586RY114	92
R568Y112	137	R580Y070	131, 141, 154	R586SEY02	92, 201
R568Y115	137	R580Y071	131, 141, 154	R586SEY03	92, 201
R568Y116	137	R583Y004	160	R586SY001	236
R568Y121	137	R583Y005	160	R586SY002	237
R568Y123	137	R584EY001	158	R586SY011	238
R568Y128	137	R584Y101	31, 112, 123, 132, 142, 159	R586SY108	236
R569RY015	129, 139	R584Y102	31, 112, 123, 132, 142, 159	R586Y001	104
R569RY016	129, 139	R584Y103	31, 112, 123, 132, 142, 159	R588DY001	63, 160
R569RY021	129, 139	R584Y104	31, 112, 123, 132, 142, 159	R588EY001	160
R569RY023	129, 139	R585CY022	111, 131, 141, 153	R588FY001	160
R569RY028	129, 139	R585CY023	111, 131, 141, 153	R588GY001	97
R569Y103	137	R585CY024	111, 131, 141, 153	R588HY001	160
R569Y104	137	R585CY042	111, 131, 141, 153	R588LY001	160
R569Y105	137	R585CY043	111, 131, 141, 153	R588MY001	158
R569Y112	137	R585CY044	111, 131, 141, 153	R588PY004	160
R569Y113	137	R585CY062	122, 131, 141, 153	R588RY010	59, 60, 147, 148, 160
R569Y114	137	R585CY063	122, 131, 141, 153	R588RY011	160
R569Y115	137	R585CY064	122, 131, 141, 153	R588SEY01	92, 201
R569Y116	137	R585MY105	152	R588SY001	160
R569Y121	137	R585TY104	151	R588Y001	160
R569Y123	137	R585TY105	151	R588ZY001	63, 160
R569Y128	137	R585Y022	31, 132, 142, 154	R590DY005	162
R570RY015	129, 139	R585Y023	31, 132, 142, 154	R590DY006	162
R570RY016	129, 139	R585Y024	31, 132, 142, 154	R591DY004	162
R570RY021	129, 139	R585Y025	31, 132, 142, 154	R591DY005	162
R570RY023	129, 139	R585Y026	31, 132, 142, 154	R591DY006	162
R570RY028	129, 139	R585Y027	31, 132, 142, 154	R591FY005	162
R571RY015	129, 139	R585Y028	31, 132, 142, 154	R592DX005	162
R571RY016	129, 139	R585Y029	31, 132, 142, 154	R592DX006	162
R571RY021	129, 139	R585Y030	31, 132, 142, 154	R592DY004	31, 112, 123, 132, 142
R572RX002	128, 138	R585Y042	31, 132, 142, 154	R592DY005	31, 112, 123, 132, 142, 162
R572RY002	128, 138	R585Y043	31, 132, 142, 154	R592DY006	104, 162
R572RY003	128, 138	R585Y044	31, 132, 142, 154	R592X004	162
R572Y112	137	R585Y045	31, 132, 142, 154	R592X005	162
R572Y113	137	R585Y046	31, 132, 142, 154	R592X006	162
R572Y114	137	R585Y047	31, 132, 142, 154	R592Y004	162
R572Y115	137	R585Y048	31, 132, 142, 154	R592Y005	162
R572Y116	137	R585Y049	31, 132, 142, 154	R592Y006	162
R573DY002	109, 121, 130, 140	R585Y050	31, 132, 142, 154	R592Y007	162
R573DY003	109, 121, 130, 140	R586AY011	93	R592Y008	162
R573DY102	109, 121, 130, 140	R586AY012	93	R593DY001	162
R576X001	110, 121, 130	R586AY021	93	R593DY002	162
R577DY001	110, 121, 130, 140	R586AY022	93	R593DY003	162
R578CY001	109, 121, 130, 140	R586AY151	229	R593DY004	162
R578CY002	109, 121, 130, 140	R586AY152	229	R593DY005	162
R580CY022	111, 131, 141, 153	R586AY153	229	R593DY006	162
R580CY023	111, 131, 141, 153	R586AY154	229	R593DY007	162
R580CY024	111, 131, 141, 153	R586BY011	93	R593DY008	162
R580CY042	111, 131, 141, 153	R586BY012	93	R593X002	162
R580CY043	111, 131, 141, 153	R586BY021	93	R593X007	162
R580CY044	111, 131, 141, 153	R586BY022	93	R593Y001	162
R580CY052	122, 131, 141, 153	R586CY021	94	R593Y002	162

CÓDIGO	PÁGINA	CÓDIGO	PÁGINA	CÓDIGO	PÁGINA
R593Y003	162	R623Y004	225	R74AY008	219
R593Y004	162	R623Y005	225	R74AY009	219
R593Y005	162	R624Y005	225	R74AY010	219
R593Y006	162	R624Y004	225	R74AY011	219
R593Y008	162	R625X003	257	R74Y001	29
R594Y001	112, 123, 162	R625X004	257	R752X003	251
R594Y002	132, 142, 162	R625X014	257	R789X003	249
R594Y003	162	R625X015	257	R789X005	249
R594Y004	104, 112, 123, 132, 142, 162	R625Y002	257	R789X007	249
R594Y005	112, 123, 132, 142, 162	R625Y003	257	R79BY001	36
R595AY001	159	R625Y004	257	R831Y001	32
R595BY001	159	R626Y003	225	R831Y002	32
R595CY001	159	R626Y004	225	R850X001	248
R595PY001	159	R626Y005	225	R850X002	248
R595PY002	159	R626Y006	225	R850X003	248
R595PY003	159	R626Y007	225	R850X004	248
R595TY001	159	R626Y008	225	R850X005	248
R598KY001	159	R626Y106	225	R850X006	248
R598KY002	159	R626Y108	225	R850X007	248
R598Y003	159	R626Y110	225	R850X008	248
R598Y004	159	R626Y115	225	R850X021	248
R598Y007	159	R64X001	29	R850X022	248
R599Y001	159	R64X002	29	R850X023	248
R5X032	7	R64Y001	29	R850X024	248
R5X033	7	R64Y002	29	R850X025	248
R5X034	7	R65DX001	29	R850X026	248
R5X035	7	R65DX002	29	R850X027	248
R5X036	7	R66AX000	29	R850X028	248
R601Y002	253	R66AX001	29	R851TX002	248
R601Y003	253	R66AX002	29	R851TX003	248
R602Y003	253	R66AX003	29	R851TX004	248
R603X103	253	R690X002	247	R851TX005	248
R603X104	253	R690X003	247	R851TX006	248
R608DY113	255	R694X002	247	R851TX007	248
R608DY123	255	R694X003	247	R851TX008	248
R608DY133	255	R6X032	7	R851TY103	249
R608Y012	255	R6X033	7	R851TY104	249
R608Y013	255	R6X034	7	R851TY105	249
R608Y014	255	R6X035	7	R851X001	248
R608Y022	255	R700Y001	10	R851X002	248
R608Y023	255	R707EX001	8	R851X003	248
R608Y024	255	R707EX004	8	R851X004	248
R608Y033	255	R714X022	10	R851X005	248
R608Y034	255	R714X023	10	R851X006	248
R609Y012	254	R714X032	10	R851X021	248
R609Y013	254	R714X033	10	R851X022	248
R609Y014	254	R714X034	10	R851X023	248
R60Y002	219	R715X022	10	R851X024	248
R60Y003	219	R715X023	10	R851X025	248
R60Y004	219	R715X032	10	R851X026	248
R60Y005	219	R715X033	10	R854LX003	249
R60Y006	219	R715X034	10	R854LX004	249
R60Y007	219	R725X001	8	R854LX005	249
R60Y008	219	R725X002	8	R854LX006	249
R60Y009	219	R725X003	8	R854LX007	249
R60Y010	219	R727EX001	9	R854LX008	249
R60Y011	219	R727EX004	9	R854LX023	249
R60Y032	219	R729X001	9	R854LX024	249
R60Y033	219	R729X002	9	R854LX025	249
R60Y034	219	R729X003	9	R854LX026	249
R60Y035	219	R73CY004	36	R854LX027	249
R60Y036	219	R73CY014	36	R854LX028	249
R60Y037	219	R73KY001	166	R854X003	249
R60Y038	219	R73PY010	6	R854X004	249
R60Y039	219	R747Y001	252	R854X005	249
R60Y040	219	R747Y002	252	R854X006	249
R60Y041	219	R747Y003	252	R854X023	249
R610LY003	254	R749FY001	252	R854X024	249
R610Y003	254	R749FY002	252	R854X025	249
R611Y012	253	R749FY003	252	R854X026	249
R611Y013	253	R749TX004	252	R859X323	249
R611Y014	253	R749TX005	252	R859X325	249
R612Y003	254	R749TX101	252	R859X327	249
R619IX103	256	R749TX102	252	R859X329	249, 249
R620X003	256	R749TX103	252	R859X343	249
R620X014	256	R74AY002	219	R859X345	249
R620X015	256	R74AY003	219	R859X347	249
R621X003	256	R74AY004	219	R863LY003	54
R621X014	256	R74AY005	219	R863Y001	54
R621X015	256	R74AY006	219	R865Y001	54
R622X004	257	R74AY007	219	R872DY001	47, 49, 52

CÓDIGO	PÁGINA	CÓDIGO	PÁGINA	CÓDIGO	PÁGINA
R883Y101	50	R985RY002	110, 121, 130	R999Y145	30, 70, 115, 125
R884Y101	50	R986IY113	75, 125	R999Y173	30, 115, 125
R88IY002	205	R986SY100	75, 125	R999Y174	30, 115, 125
R88IY003	205	R986SY120	75, 125	R999Y183	30, 115, 125
R88Y001	205	R986Y116	125	R999Y184	30, 115, 125
R88Y002	205	R986Y117	125	R99IY002	205
R90X002	29	R986Y118	125	R99IY003	205
R90X003	29	R986Y119	125	R99SY003	241
R91X003	29	R986Y122	125	R99SY013	241
R91Y003	29	R986Y130	125	R99Y001	205
R92X001	29	R993Y010	106	R99Y002	205
R92X002	29	R993Y044	106	R99Y003	205
R92X003	29	R996TY033	53, 125	RC102P009	69
R92Y001	29	R996TY052	53, 125	RC102X004	75
R92Y002	29	R996TY054	53, 125	RC102X007	75
R92Y003	29	R996TY068	53, 125	RC122P009	69
R93X003	162	R996TY219	51, 53, 115, 125	RC122X004	75
R93X006	162	R996TY220	53, 125	RC122X007	75
R93X011	162	R996TY221	53, 115, 125	RC150X007	75
R93X014	162	R996TY222	53, 115, 125	RC151P053	69
R93Y003	162	R996TY227	51, 53, 115, 125	RC151P063	69
R93Y005	162	R996TY249	53, 125	RC165P001	69
R93Y006	162	R996TY250	53, 125	RC165P004	69
R93Y007	162	R996TY253	53, 115, 125	RC211P002	69
R93Y010	162	R996TY264	51, 53, 115, 125	RC30P001	69
R93Y011	162	R996Y048	53, 125	RC51P001	69
R93Y012	162	R996Y065	53, 125	RC900Y011	75
R93Y013	162	R996Y130	106	RC900Y016	75
R93Y014	162	R996Y131	106	RM102Y003	117
R93Y017	162	R996Y132	106	RM102Y007	117
R93Y018	162	R996Y134	106	RM102Y009	117
R93Y019	162	R996Y135	106	RM102Y011	117
R93Y020	162	R996Y140	53, 106	RM102Y014	117
R979GEY04	46	R996Y141	53, 106	RM102Y015	117
R979SY001	48	R996Y142	53, 106	RM102Y016	117
R979SY005	48	R996Y143	106	RM103Y010	117
R979SY011	48	R996Y144	106	RM103Y016	117
R979SY021	48	R996Y146	106	RM103Y018	117
R979SY025	48	R996Y150	106	RM103Y020	117
R979Y043	46	R996Y151	106	RM103Y021	117
R979Y044	46	R996Y152	106	RM103Y022	117
R979Y045	46	R996Y153	106	RM103Y064	117
R979Y046	46	R996Y154	106	RM103Y065	117
R979Y047	46	R996Y155	106	RM103Y075	117
R981BY003	46	R996Y156	106	RM103Y076	117
R981BY004	46	R996Y157	106	RM103Y086	117
R981BY005	46	R996Y158	106	RM103Y087	117
R981BY006	46	R996Y159	106	RM107Y023	117
R981EY001	48	R996Y160	106	RM107Y033	117
R981EY002	48	R996Y161	106	RM107Y037	117
R981EY101	48	R996Y172	53, 125	RM107Y043	117
R981EY102	48	R996Y175	53, 125	RM107Y047	117
R981EY201	48	R998Y005	110, 121, 130	RM107Y049	117
R981LY001	52	R998Y006	110, 121, 130	RM107Y058	117
R981LY002	52	R999GY140	115	RM107Y059	117
R981LY053	52	R999GY150	115	RM107Y066	117
R982QEY03	47	R999GY163	115	RM107Y077	117
R982QEY04	47	R999IY120	115, 125	RM107Y078	117
R982QEY05	47	R999IY140	70, 115, 125	RM107Y088	117
R982QEY06	47	R999IY170	115, 125	RM107Y098	117
R982QEY07	47	R999IY180	115, 125	RM109Y033	117
R982QEY08	47	R999IY220	115, 125	RM109Y037	117
R982QEY09	47	R999IY222	115, 125	RM109Y043	117
R982QEY10	47	R999IY225	115, 125	RM109Y047	117
R982QEY11	47	R999IY227	115, 125	RM109Y049	117
R982QEY12	47	R999IY240	115, 125	RM109Y058	117
R982QY013	46	R999IY244	115, 125	RM109Y059	117
R982QY015	46	R999IY245	115, 125	RM109Y060	117
R982Y003	46	R999IY249	115, 125	RM109Y066	117
R983LY003	54	R999IY270	115, 125	RM109Y076	117
R983Y001	54	R999IY272	115, 125	RM109Y077	117
R983Y003	54	R999IY275	115, 125	RM109Y088	117
R983Y041	54	R999IY278	115, 125	RM109Y098	117
R983Y500	54	R999IY280	115, 125	RM122Y003	117
R984LY003	52	R999IY285	115, 125	RM122Y007	117
R984Y015	47, 49, 51	R999Y122	30, 53, 115, 125	RM122Y009	117
R985BY001	110, 121, 130	R999Y123	30, 53, 115, 125	RM122Y011	117
R985BY002	110, 121, 130	R999Y124	30, 53, 115, 125	RM122Y013	117
R985NY001	110, 121, 130	R999Y125	30, 115, 125	RM122Y014	117
R985NY002	110, 121, 130	R999Y142	30, 53, 70, 115, 125	RM122Y015	117
R985RY001	110, 121, 130	R999Y143	30, 53, 70, 115, 125	RM127Y033	117

CÓDIGO	PÁGINA	CÓDIGO	PÁGINA	CÓDIGO	PÁGINA
RM127Y037	117	RM154Y098	119	T439LX033	18
RM127Y043	117	RM158X034	119	T450CX012	34
RM127Y047	117	RM173Y033	120	T450LX001	34
RM127Y049	117	RM173Y037	120	T450LX002	34
RM127Y058	117	RM179X023	119	T470CX001	21, 25
RM127Y059	117	RM179X033	119	VESY001	241
RM127Y066	117	RM179X103	119	VESY002	241
RM127Y076	117	RM179X106	119	VESY003	241
RM127Y077	117	RM179Y043	119	VESY004	241
RM127Y087	117	RM179Y053	119	VESY005	241
RM127Y088	117	RM179Y056	119	VESY006	241
RM127Y098	117	RM179Y063	119	VESY007	241
RM128X034	118	RM179Y066	119	VESY008	241
RM128X074	118	RM179Y069	119	VESY009	241
RM129Y033	118	RM179Y073	119	VESY010	241
RM129Y037	118	RM179Y074	119	VESY020	241
RM129Y043	118	RM179Y082	119		
RM129Y047	118	RM179Y093	119		
RM129Y049	118	RM179Y097	119		
RM129Y059	118	RM179Y113	119		
RM129Y066	118	RM179Y116	119		
RM129Y076	118	RM18Y033	120		
RM129Y077	118	RM18Y037	120		
RM129Y087	118	RM18Y049	120		
RM129Y088	118	RM19Y033	120		
RM129Y098	118	RM19Y037	120		
RM139Y033	118	RM19Y049	120		
RM139Y037	118	RP102X005	120		
RM139Y049	118	RP102X013	120		
RM144Y009	118	RP200Y032	124		
RM144Y011	118	RP201Y012	124		
RM144Y012	118	RP202Y016	124		
RM144Y013	118	RP202Y017	124		
RM144Y014	118	RP202Y018	124		
RM150Y003	118	RP202Y020	124		
RM150Y007	118	RP202Y026	124		
RM150Y009	118	RP202Y232	124		
RM150Y011	118	RP202Y240	124		
RM150Y012	118	RP202Y250	124		
RM150Y013	118	RP202Y263	124		
RM150Y014	118	RP203Y203	124		
RM151Y045	118	RP205Y001	36, 124, 133		
RM151Y063	118	RP208Y016	36, 124, 133		
RM151Y064	118	RP208Y018	124, 133		
RM151Y065	118	RP208Y020	36, 124, 133		
RM151Y067	118	RP209Y001	36, 124, 133		
RM151Y083	118	RP209Y002	36, 124, 133		
RM151Y084	118	RP209Y003	36		
RM151Y085	118	SH-DN25-10	97		
RM151Y086	118	SH-DN25-3P	97		
RM151Y089	118	SH-DN32-10	97		
RM151Y090	118	SH-DN32-3P	97		
RM151Y091	118	SH-DN40-10	97		
RM151Y092	118	SH-DN40-3P	97		
RM151Y093	118	SH-DN50-10	97		
RM151Y094	118	SH-DN50-3P	97		
RM151Y095	118	T15TGX004	33		
RM151Y145	118	T175DX001	21, 28		
RM151Y146	118	T175DX011	21, 28		
RM151Y147	118	T177X010	21, 130, 139		
RM151Y148	118	T178CX012	134		
RM151Y157	118	T178CX013	134		
RM151Y158	118	T178CX015	134		
RM151Y159	118	T178CX016	21, 30, 134		
RM151Y167	118	T178CX018	21, 30, 134		
RM151Y168	118	T179MX005	127		
RM153Y033	119	T179MX009	21, 30, 127		
RM153Y037	119	T179MX010	127		
RM153Y049	119	T22CX007	34		
RM153Y059	119	T25CX003	19		
RM154Y033	119	T26CX003	34		
RM154Y037	119	T27CX003	19		
RM154Y049	119	T29CX003	19		
RM154Y050	119	T31CX003	19		
RM154Y059	119	T357BX021	20		
RM154Y062	119	T357MX011	20		
RM154Y066	119	T358BX021	20		
RM154Y068	119	T358MX011	20		
RM154Y076	119	T431CX003	18		
RM154Y077	119	T432CX003	19		
RM154Y088	119	T439LX023	18		

Condiciones generales de venta

Giacomini S.p.A. y Giacomini España S.L. (a partir de ahora Giacomini) se reserva el derecho de modificar, los datos y características del presente documento, sin previo aviso.

Giacomini no efectúa la venta directa al público. Todas las relaciones comerciales entre Giacomini y sus clientes estarán condicionadas por los siguientes puntos que se entenderán aceptadas por el comprador al cursar un pedido:

PEDIDOS

Todos los pedidos deberán efectuarse por escrito, se entienden a título de reserva y no nos obligan aunque se remitan parcialmente.

Por el hecho de haber incumplido por parte del comprador de forma parcial o total anteriores contratos, Giacomini se reserva el derecho de anular los pedidos pendientes de entrega.

Los pedidos aceptados no podrán ser anulados en los siguientes casos:

- Una vez efectuada la expedición del producto.
- Al tratarse de materiales de fabricación especial, ésta se hubiere comenzado.

PRECIOS

Los precios son los correspondientes a la tarifa vigente en el momento del envío. Queda anulado cualquier precio anterior a esta tarifa. Los precios de la tarifa podrán ser variados por Giacomini en cualquier momento afectando a los pedidos pendientes de entrega.

Los precios que figuran en nuestra tarifa se entienden por material embalado y puesto en nuestros almacenes.

EXPEDICIONES

Se remitirán al domicilio del cliente, salvo acuerdos en contra.

La entrega de la mercancía se entenderá efectuada con la puesta a disposición sobre el camión del transportista en nuestros almacenes.

La mercancía viaja por cuenta y riesgo del cliente, aunque se hubiera remitido a portes pagados, y la responsabilidad de Giacomini por robos o desperfectos se limita a reclamar en su nombre al transportista, siempre que el problema haya sido puesto de manifiesto en el documento de entrega de este, a la recepción del material y remitiéndonos documentación gráfica del incidente.

Los retrasos en la entrega por causa ajena a Giacomini no será causa justificada para la anulación del pedido o retraso en el pago.

Los pedidos que se nos cursen podrán cumplimentarse en entregas parciales.

Los envíos de mercancías se efectuarán por el medio y tarifa más económica, salvo instrucciones concretas del comprador.

RECLAMACIONES

Giacomini, aparte de la garantía que cubre sus productos, podrá atender cualquier reclamación efectuada por escrito en un plazo no superior a las 72 horas siguientes a la recepción de la mercancía, y que sea justificada por error o defecto en la cantidad de los mismos.

La verificación del número de bultos recibidos y su buen estado es necesaria realizarla a la recepción del material y comunicar de inmediato, en el caso de cualquier anomalía, al transportista haciéndolo constar en el albarán de entrega de este. A su vez se debe de comunicar el incidente a Giacomini.

BONIFICACIONES

Toda bonificación, rappel, abono o descuento acordado, quedarán condicionados al buen cumplimiento de las operaciones que se relacionen con estos y se perderá el derecho a su percepción si se incurre en impago o morosidad.

DEVOLUCIONES

Se deberá solicitar autorización previa por escrito, indicando el motivo de la misma.

Caso de ser aceptada la devolución, ésta deberá enviarse libre de gastos y a portes pagados a nuestros almacenes.

El material devuelto deberá estar en las mismas condiciones que en el momento de su entrega.

Una vez llegue la mercancía a nuestros almacenes, se relacionará el material exacto recibido y el que definitivamente se acepta.

En concepto de gastos de recepción, inspección y manipulación se deducirá de su importe un porcentaje sobre dicha lista definitiva confeccionada por nuestro almacén. Dicho porcentaje dependerá de la fecha de factura del material según la siguiente escala:

- De 0 a 6 meses; 20%
- De 6 a 12 meses; 30%
- De 12 a 24 meses; 50%
- Más de 24 meses; NO se admitirá la devolución.

No se admitirán devoluciones de material que esté fuera de catálogo o que estándolo haya sufrido modificaciones de diseño o funcionales.

GARANTIA

Todos los productos Giacomini están garantizados por 2 años a contar desde la fecha de compra.

Nuestra factura constituye la legitimación y la garantía de la fecha exacta de la compra.

La garantía cubre exclusivamente la sustitución del artículo dañado y no otros daños directos e indirectos.

La garantía queda anulada si el producto se utiliza de forma impropia, si se manipula o se instala de forma errónea, por falta de su adecuado mantenimiento, o por condiciones particulares del agua, variaciones de tensión en la red de alimentación de los componentes eléctricos y electrónicos, robo y caídas.

JURISDICCIÓN

Los compradores al igual que Giacomini se someten expresamente a la Jurisdicción de los Tribunales y Juzgados de Barcelona, con renuncia a cualquier otro fuero o jurisdicción.



WATER E-MOTION

**Cada día
ofrecemos al mundo
la energía del agua.**





Ctra. Viladrau Km. 10 - P.I. Montmany nº 2
08553 Seva (Barcelona)

Tel. 93 884 10 01
Fax. 93 884 10 73
atencionclientes@giacomini.com

www.giacomini.es

